



DataVoice Enterprise

Product Catalogue Data and Telecommunications



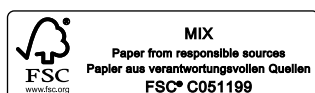
All products are shown in our
online catalogue
www.telegaertner.com

CONTENT

2	Telegärtner DataVoice
15	The Telegärtner Group
23	Locations and Agents
25	Products
219	Mounting Dimensions
221	Index of Part Numbers

COMPONENTS FOR FLOOR DISTRIBUTION - COPPER/FO		A
25	19" Modular Copper Panels	1
39	19" LSA Copper Panels	2
45	19" FO Panels	3
55	19" Mix	4
69	OWL	5
77	Mini Distributor MPD	6
85	FO Wall Distributors	7
INSTALLATION AND FLEXIBLE CABLES		B
97	Copper Cables	8
109	FO Cables	9
CONNECTION MODULES		C
117	Connection Modules Cat.7A	10
OUTLETS		D
123	Modular Copper Outlets	11
143	LSA Copper Outlets	12
153	FO Outlets	13
PLUGS/DIRECT ATTACH		E
159	Modular Plugs	14
171	FO Plugs/Adaptors	15
187	Pigtails	16
PATCH CORDS		F
193	Copper Patch Cords	17
205	FO Patch Cords	18
SURGE PROTECTION DEVICE		G
215	Surge Protection Device	19

This catalog was printed climate neutrally.

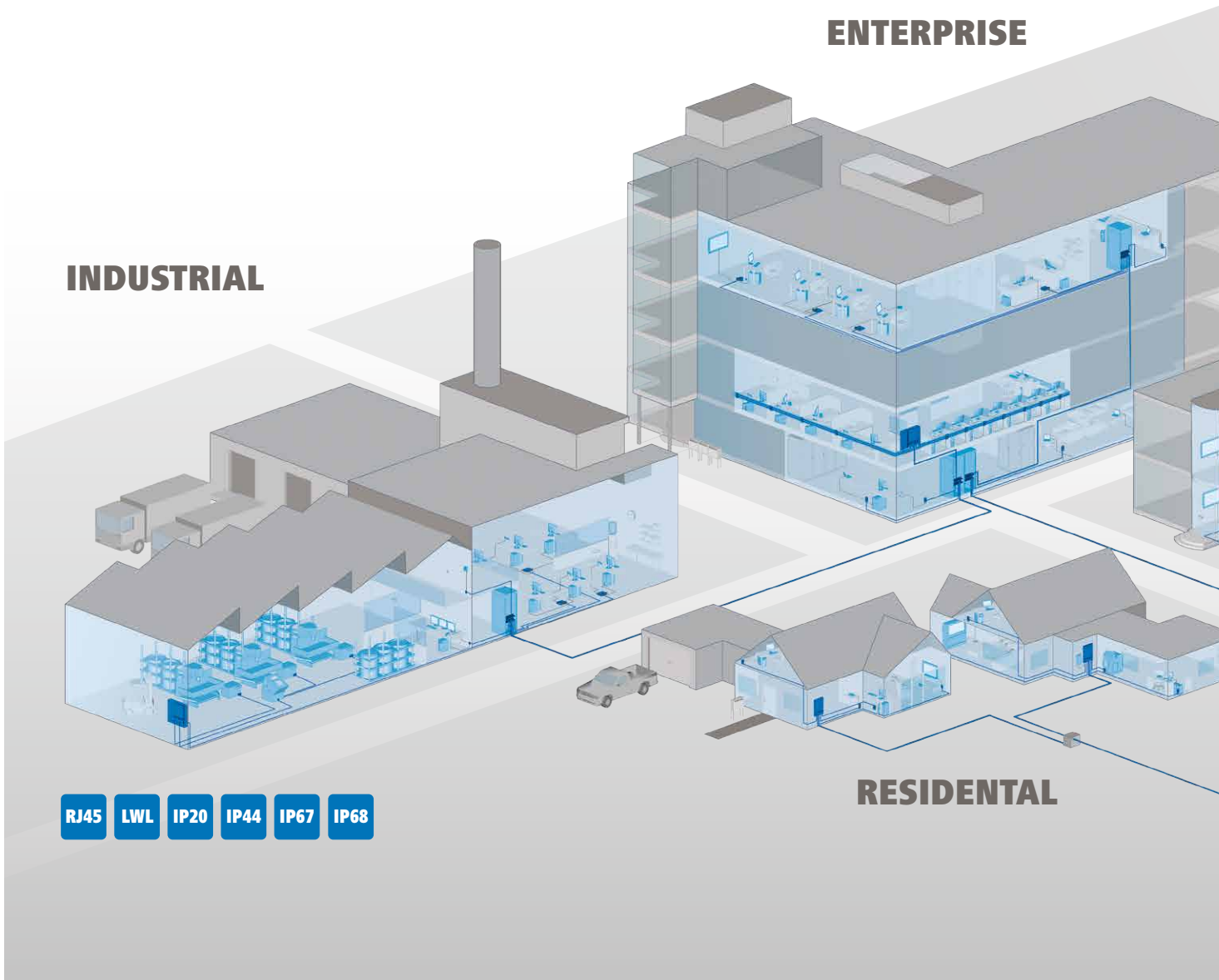


DATA VOICE – THE CABLING SYSTEM WITH PLUS POINTS

Professional Cabling System for Generic Cabling

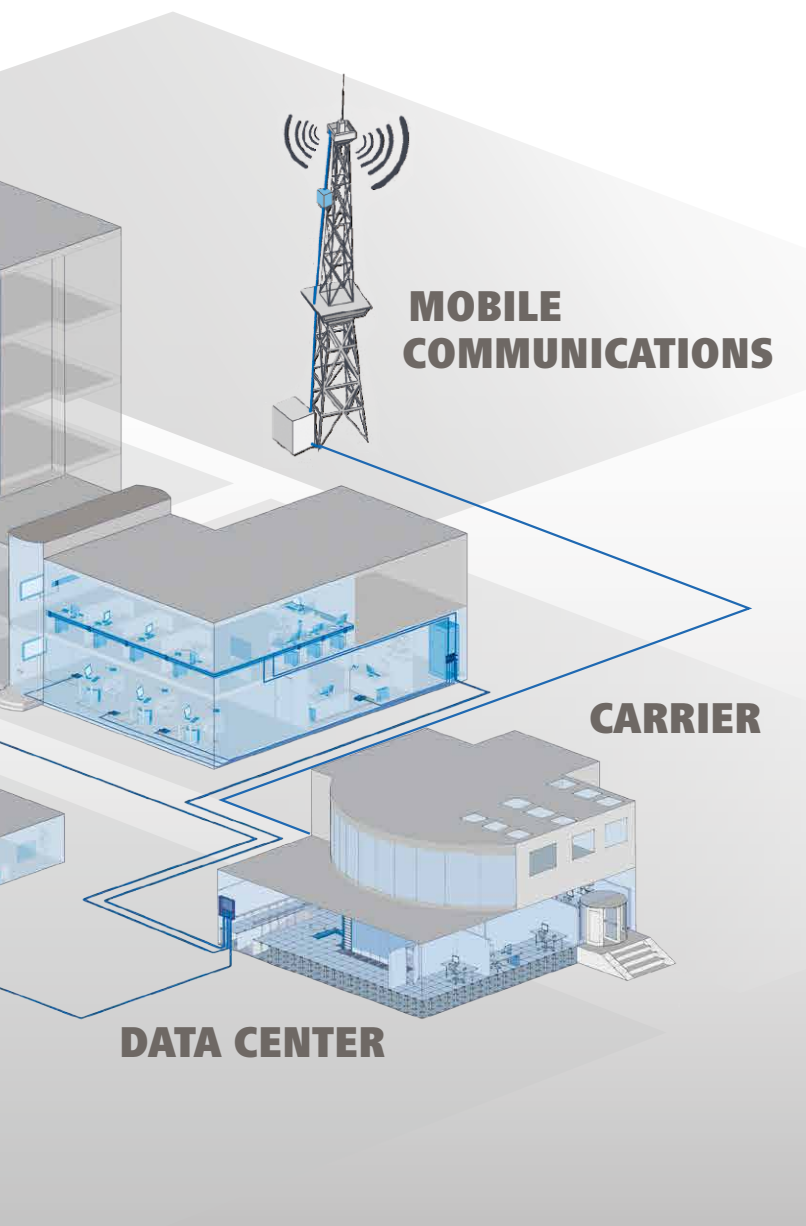
DataVoice is a reliable professional cabling system for designers, installers and users developed by Telegärtner to meet all generic cabling requirements in office buildings, production halls and machines. The DataVoice range includes components for copper and fiber optic cable networks and connec-

tors for industrial applications. The Enterprise product line ranges from connection and distribution components for optical transmission systems and pre-terminated fiber optic cables right through to powerful copper cabling components.



Whether your requirements be for on the factory floor or for the wiring machinery: with our extremely reliable RJ45 connectivity systems, DataVoice offers everything you require for modern 10 gigabit networks in the industrial environment of production areas and machinery wiring.

Our product offering is complemented with cable assemblies - for a complete generic cabling system.



DataVoice The Cabling System with PLUS POINTS for ...

... Power

Guaranteed data rates of up to 400 Gbit/s with fiber optics and 40 Gbit/s with copper thanks to cutting-edge technology.

... Usability

Integrated system for office networks, production halls, machine and plant networks.

... Availability

IP20 and IP68 rated housings for reliable connections under extreme environmental conditions.

... User-friendliness

Easier to install thanks to pre-assembled components and cables.



INNOVATIVE, RELIABLE, DURABLE

Sustainable solutions for efficient networks

Telegärnter's product solutions have always been highly regarded, and we work constantly on raising the bar even higher and shape current and future technologies.

Just one of many examples: More and more devices and components are installed in and on the ceilings of offices, industrial plants, shopping malls and hotels – and more and more of them come with an IP port, and so the term "digital ceiling" was coined. This digital ceiling is an important part of efficient smart buildings, and the standards recognize different cabling structures, each of them offering specific benefits. As a trusted partner, Telegärtner supports planners, installers and end-users with appropriate product solutions and with the know-how that we share.

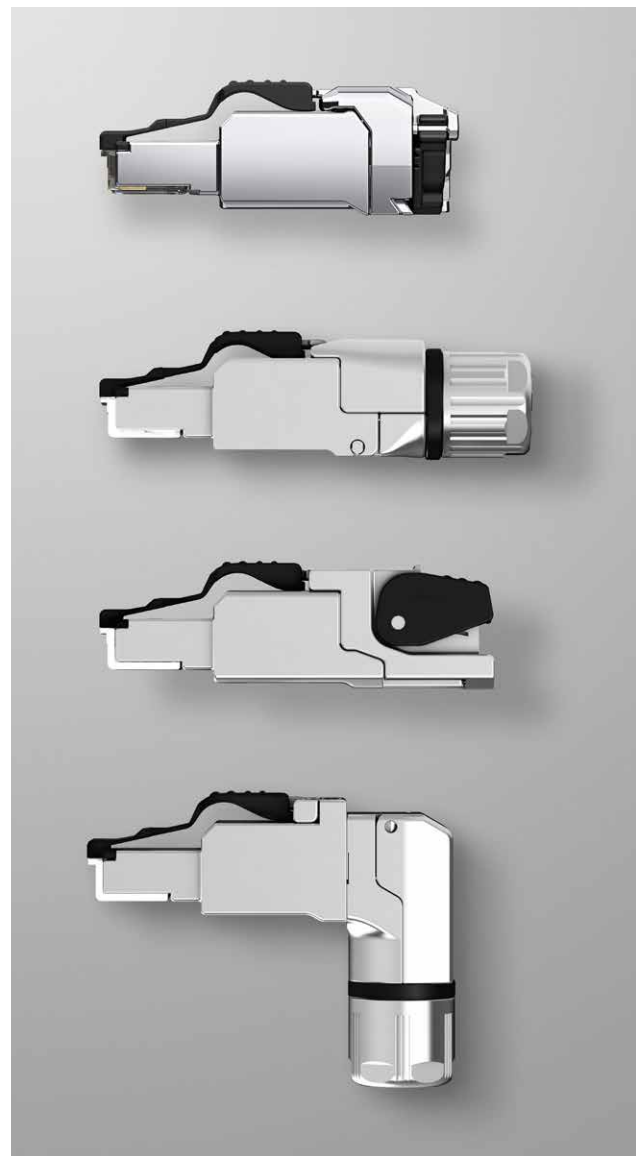
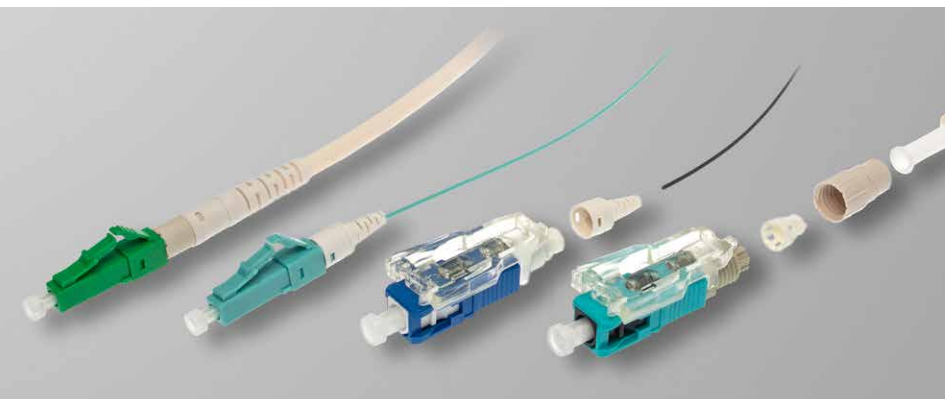
Doing so we support future generations with know-how transfer and training, e.g. when schools are furnished with reliable IT cabling.

In order to cope with the challenges that come with digitalization, children should learn how to use digital media in a competent and responsible way from the beginning. This means that an appropriate IT infrastructure has to be installed in schools. As the taxpayer's money is spent for this, economical solutions, which have to be durable, long-lasting and robust at the same time, have to be selected. In order to make sure that the IT cabling of a school will work well for many years, some points have to be minded. This starts with the building itself. New constructions where the IT cabling is just added, are quite rare. In most cases, old buildings have to be retrofitted, which calls for expertise and appropriate product solutions. What's even more: Most rooms and what they are used for differs from the rooms in other buildings. This isn't an easy task.

As an innovative and knowledgeable system supplier, Telegärtner regularly publishes specials and white papers on their website which make the topics clear and are straight to the point.

The interactive virtual theme world of IT infrastructures goes even further. Visitors move through the virtual world, can take walls and covers away by mouse click, zoom in on details and retrieve plenty of information. If they like they can also thumb through virtual brochures. New and exciting topics are added regularly to the theme world which is available 24/7 at <https://www.telegaertner.com/tgworld>

For cabling in industrial premises, in homes and in data centers dedicated catalogues are available or in preparation.



TELEGÄRTNER DATAVOICE

Highlights

For decades, Telegärtner has been setting standards in connectivity. This results in a multitude of structured cabling product solutions that make the work of designers, installers and users easier, more efficient and more successful.

The short one: The MFP8-SL RJ45 plug

The MFP8-SL is the logical extension of the MFP8 RJ45 connector family. Like the classic MFP8 and the MFP8 4x90, the MFP8-SL can be mounted without any special tools quickly and easily on any common cable and supports networks up to 10 Gigabit Ethernet – the Category 8.1 version supports even 40 Gigabit Ethernet. With an overall length of just 44 mm, the MFP8-SL offers all of the advantages of the proven MFP8 connectors but requires much less space. This makes it the ideal choice for installations in confined spaces, e.g. inside of protective housings of IP cameras, Wi-Fi access points and distributors with very high port densities.

Generic cabling the easy way: The AMJ-SL Cat.6_A RJ45 module

Despite its outstanding transmission performance and the exceptionally fast and easy mounting, the AMJ-SL is appreciated for its extremely short length of just 32 mm. It is by 37 % shorter than similar Cat.6_A modules and thus the ideal solution in any installation where space is at a premium, because it leaves the cable the space it needs. Going below the minimum bend radius of a cable or crushing or kinking it, will affect the cabling performance and thus lead to transmission problems and slow networks. With the AMJ-SL the cabling reaches peak performance with high and practical headroom even in confined spaces. The innovative safe-lock mechanism, which gave the module its name, provides not only a particularly fast and easy installation but also particularly reliable electrical and mechanical contact of the wires: The secure lock closes only when the hinged halves of the module's housing are completely engaged and by this ensure especially firm and secure contact of the wires.

It simply works: Fiber Field Plug (FFP)

Mounting fiber optic connectors on site quickly and easily even in areas that are difficult to access and at the same time eliminating the need for a fusion splicer or for curing and polishing – Telegärtner's Fiber Field Plug (FFP) offers an incredibly easy, fast and long-term reliable installation of fiber optic connectors. The connectors come pre-polished and ready-to-use. The index matching gel inside of the connector body ensures excellent long-term transmission performance. And with the practical Telegärtner Tool Kit installers have the proper tools for exceptionally easy installation always at their fingertips.

One for all: The All-In-One Compact Distributor ACD

The name says it all: All-In-One Compact Distributor – the compact wall mount distributor for any application. The ACD not only accepts fiber optic and copper ports at the same time but also the proper network electronics, which can be placed individually inside. Its high versatility and its small space requirements make the ACD the optimum distributor in FTTH/FITH applications. Installers appreciate the easy installation; users appreciate the small space needed for the unobtrusive housing. The compact ACD can serve as a building entrance facility as well as a home distributor on a higher network level. Thanks to the pre-installed fiber optic adaptors, the ACD comes ready-to-install; additional adaptors can be added easily, of course.



You will find other Telegärtner highlights from the DataVoice range on our Internet Website under www.telegaertner.com/datavoice



Online-Catalogue DataVoice Office

Choose Chapter

Catalogue



Outlets >



Modular System
AMJ/UMJ >



Patch Panels and
Distributors >



Connection Modules
Cat.7A >

TELEGÄRTNER ONLINE

Visit us online!

Get an insight into our extensive product spectrum and learn more about us. Thanks to our target group oriented structuring you will quickly and easily find informative contents on different topics such as components for home wiring, for industrial applications or for wiring data centers. Our online catalogue keeps you constantly informed on our complete product portfolio – always up-to-date. By using open navigation structure and integrated full text retrieval you are sure to find the products you are looking for quickly. Every product group is described in detail with corresponding technical parameters and special features. You can obtain extensive information on every product in picture and text as well as download important information such as assembly instructions as PDF-file onto your computer.

www.telegaertner.com

ONLINE PLANNER AREA

Tools for planners and network designers

Planners have to work purposefully and efficiently. To do so, they do not only need visions and ideas, they also need a reliable partner and the right planning tools at their fingertips. Telegärtner is aware of the requirements that planners around the world have to deal with every day and offers them a wealth of useful tools in the planner area on the Telegärtner website. Those tools enable planners to complete their work faster, more cost-effectively and in a more targeted manner.



VISIO shapes

VISIO-Shapes of patch panels, outlets, modular systems, for copper and fiber optic networks



Certificates and test reports

of link and component tests by independent test labs



Data sheets and assembly instructions

for a wide range of products: quick and easy download directly from our online catalog



Info materials

Catalogs and product brochures; available in pdf format or as print copy, white papers, data sheets and application reports



Online configurator

TICNET configurator: Configure pre-terminated cables, distributors and fiber optic patch panels online



Price lists

Current list of all Telegärtner products in PDF or Excel format: available on request



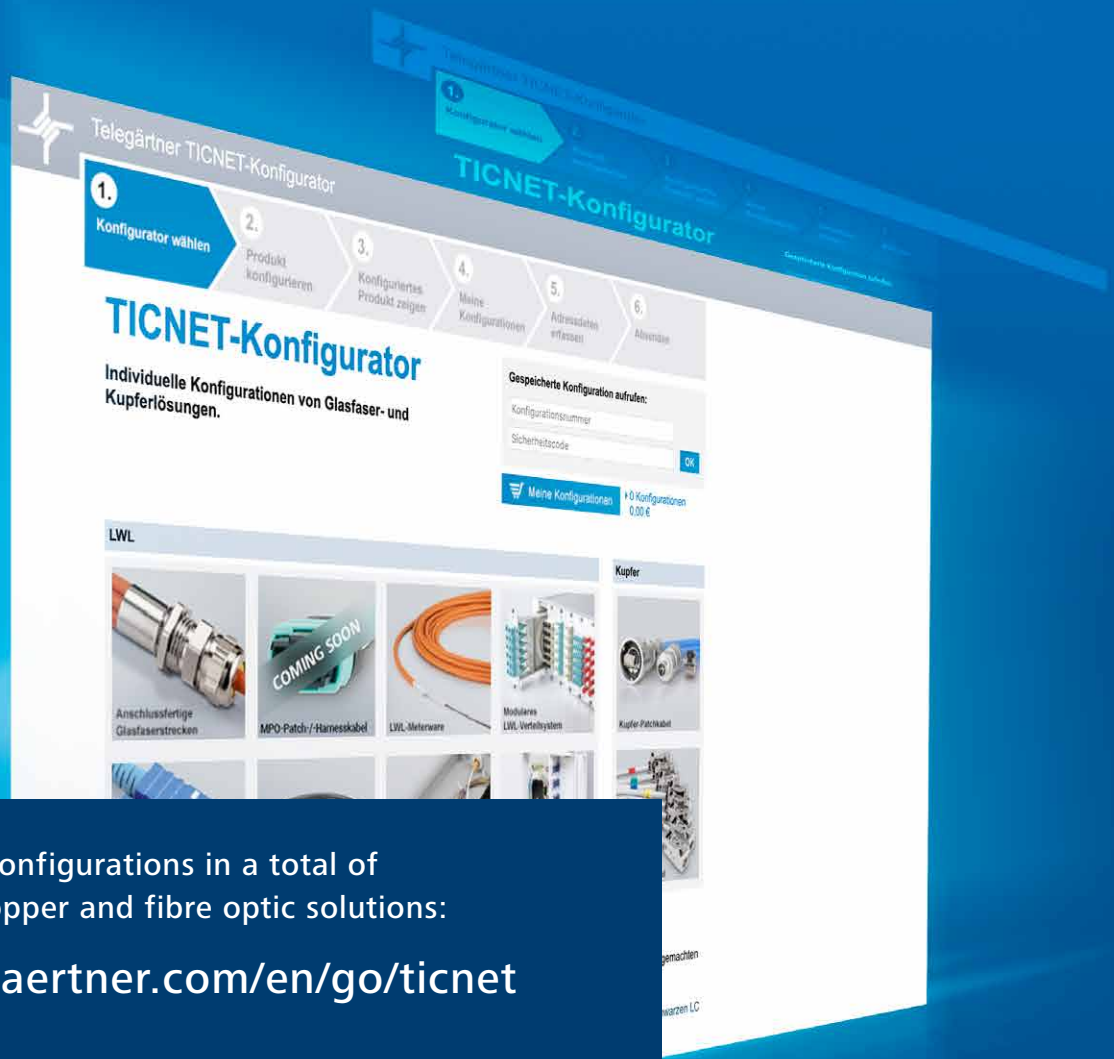
Tender texts

for generic cabling products and Industrial Ethernet components in all common file formats

Use the comprehensive planning tools provided by Telegärtner: for effortlessly planning your future cabling tasks.

<https://www.telegaertner.com/en/information-material>

OUR CONFIGURATORS 24/7, SIMPLE, INDIVIDUAL.



For individual configurations in a total of
10 ranges of copper and fibre optic solutions:

www.telegaertner.com/en/go/ticnet

Fibre optic connection, twisted pair with different
connectors and different housing solutions

It's that simple: TICNET

Step 1

Select product

Step 2

**Configure
product**

Step 3

**Set labelling
(optional)**

Step 4

**Show
product**

Step 5

**Enter address
and request
quote**

Great ideas rarely stick to business hours.
You want to get started immediately, even if it's the middle
of the night? No problem: our online configurators are
available for you around the clock.



For coaxial assemblies:

www.telegaertner.com/en/go/coaxconfig

It's that simple: COAX

Step 1

**Selection of
cable type**

Step 2

**Definition
connector series
left side**

Step 3


**Definition
connector series
right side**

Step 4

**Set labelling
(optional)**

Step 5

**Enter quantity
& send request**



THE RIGHT SOLUTION FOR EVERY REQUIREMENT

The Telegärtner Scope of Supply

All products in our portfolio were developed to transfer data and signals safely and reliably. Our extensive catalogue programme covers a wide range of applications. But since every application makes its own demands on the product, it is sometimes necessary to adapt products or modules individually. Telegärtner offers numerous product-related and supplementary services especially for this – for connecting hardware, network solutions, fiber optic products and RF connectors.

Use our TICNET, Network and Coax online configurators to configure cables, connectors, fiber optic patch panels, complete structured networks or coaxial connectors to meet your requirements and request them simply online. Benefit from our know-how from a number of customised products such as data outlets or distributors or from our OEM competence – for straightforward and structured cabling of halls, machines or plants and secure transmission of RF signals.

Catalogue Products

Telegärtner offers an extensive range of high quality connecting hardware for data and telecommunications technology. In addition to high performance passive components for transmission via copper cables, we also offer you connection and distributor components for fiber optic technology. This is all rounded off by cable pre-assembly – for comprehensive, structured building cabling. In addition to network cabling components, you will also find a wide standard range of RF connectors in our portfolio for fast availability. With added Telegärtner quality and reliability in every product.

Customised Development

In order to offer our customers uncomplicated and structured cabling of halls, machines or plants, we adapt individual products or modules such as data outlets or distributors to meet your individual requirements. Our development competence is demonstrated particularly in the coax field where we convince with a CAD database and more than 15,000 single parts and many thousands of implemented special developments – this individual customisation is invaluable especially for small and medium-sized series.

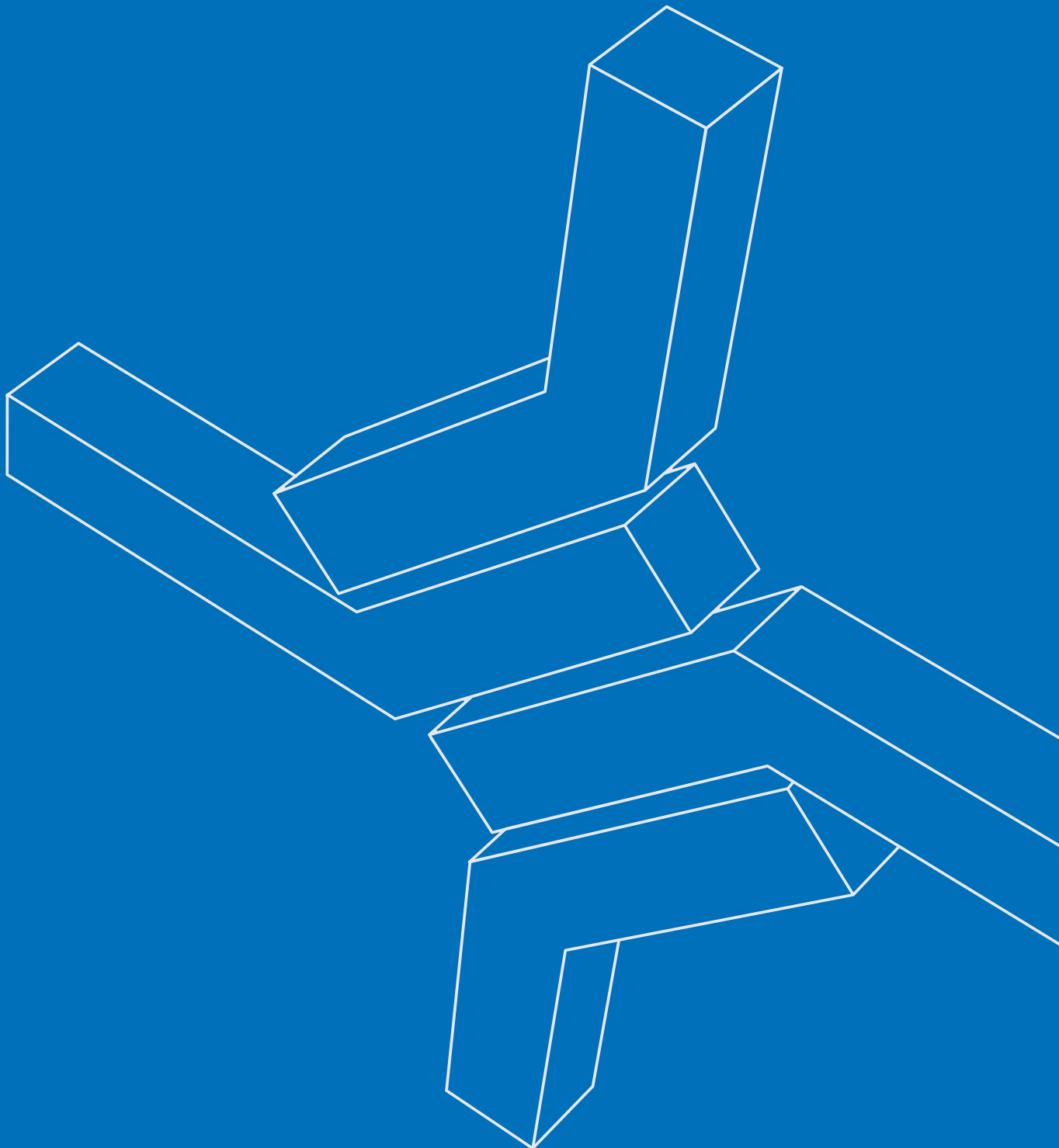
OEM Manufacturing

Produced according to your technical and design specifications both as a built-in unit or a complete product: The tailor-made Telegärtner OEM products are used for data and signal transfer in many different industries. Thanks to short development times, fast and flexible sample production including housing construction as well as reliable order handling, Telegärtner is constantly able to supply customers in different telecommunications sectors with the right DataVoice or Coax solution: in the form of an OEM device which meets all requirements and helps them to successfully serve the market.

Cable Assemblies

Do you want to configure cables and connectors or an FO patch panel according to your requirements and send an inquiry immediately online? Then Telegärtner's TICNET Configurator is just the right tool for you. Four different configurators are available for individual requirements. Each product that you configure is shown to you in detail – incl. illustrations and technical information. You can save your configurations and retrieve them later as required. In addition to the TICNET Configurator we also offer you the Coax Configurator: With this you can also configure coaxial connectors with cables online.

TELEGÄRTNER





TELEGÄRTNER

Our mission and our promise to customers

Architects of Connectivity

The world is getting more and more connected, digital solutions are the infrastructure of the global economy, and we are one of its architects. Wherever there is connectivity, wherever data and signals are transmitted and connections made, Telegärtner is there, working on solutions. Our product portfolio is a relevant part in global networking

Future-proof Connectivity - as Simple as it Gets

We make future-proof connectivity as simple as possible. We stand out with elegant solutions, intuitive operation and seamless support. We are convinced that good technologies offer maximum user-friendliness. We are pragmatic in helping our customers to achieve their goals. We reduce their workload and make their business more secure for the future. This is what Telegärtner stands for. This is what every one of us stands for. This is what we work for every day.

Detailed information about Telegärtner as well as our online catalogue you can find at:

www.telegaertner.com

TELEGÄRTNER PRODUCTS

Know-how in all areas



Networking Components

We offer you an extensive line of connection for telecommunications and data transmission technology. On the one hand, high performance, passive components for transmission via copper cables and, on the other, connection and distribution components for fiber optics.



Coaxial Connectors

Whether you require coaxial connectors for high power transfer in the area of transmission, subminiature connectors for dense packaging, or precision connectors for laboratory equipment, we can meet your every need with our extensive line of standard products – as well as, of course, connectors specially designed to meet individual customer specifications.

Cable Assembly

On request, we can provide you ready-to-use coaxial and other cables which we assemble ourselves. The advantage: cable specific connectors together with reliable, low-loss RF cables. In addition to conventional coax cables, we also pre-assemble semi-rigid, semi-flex, and corrugated cables as well as Twisted-Pair and FO cables with protection class from IP20 to IP68.



Plastic Injection Mould Parts

Telegärtner Kunststofftechnik brings its comprehensive know-how to bear on complex material combinations, from product development right up to series production, from multi-component injection moulding, across in-mould and MID 3D techniques, to automation and clean room technologies.



TELEGÄRTNER QUALITY

Connectors for highest demands

Policy on Quality

Because we always want to offer you, our customers, the best contacts, our quality expectations go far beyond standard. Accordingly, we view ISO as merely a standard for quality – Telegärtner quality, on the other hand, is something we improve daily. It is with this in mind that we have instituted a quality assurance programme according to DIN EN ISO 9001:2015 and DIN EN ISO 14001:2015: from goods received, through manufacturing up to shipping and maintenance. A CAQ programme, the most up-to-date measuring and testing tools, optical and 3D measuring systems, quality consciousness by our employees and the continual optimisation of the Total Quality Management: That's what makes Telegärtner so unique.

Development and Manufacturing

The products developed with CAD are optimized in our labs with the aid of network analysers and intermodulation test benches. A well-balanced ratio between fully automated, semi-automated and manual manufacturing processes guarantees a high level of flexibility. In addition to the wide range of standard types listed in this catalogue, a multitude of special designs are also available. Additional products can be - and are - developed and manufactured based on your specifications.

Delivery Service

The Telegärtner brand stands for more than 75 years of pronounced customer orientation. Starting in the manufacturing, where we consider your request up to the delivery, where we do more than necessary, to afford you the best contacts in the right place at the right time. A fully automated state-of-the-art warehouse with more than 28,000 containers assures, that you don't have to wait long for their goods. 24-hour delivery time ex warehouse: This is the figure against which you can measure the performance of our logistic department.

Responsibility for Society and the Environment

Environmental protection at Telegärtner is not only considered in the development and manufacturing of products, but also in all entrepreneurial activities in the daily routine. The sparing use of resources has top priority. Our catalogues are printed CO₂ neutral, business and copying papers are FSC certified and 15% of our annual demand of electricity is produced by our own solar plant on the roof top of our company building.

All this makes Telegärtner so unique.



LOCATIONS AND AGENTS

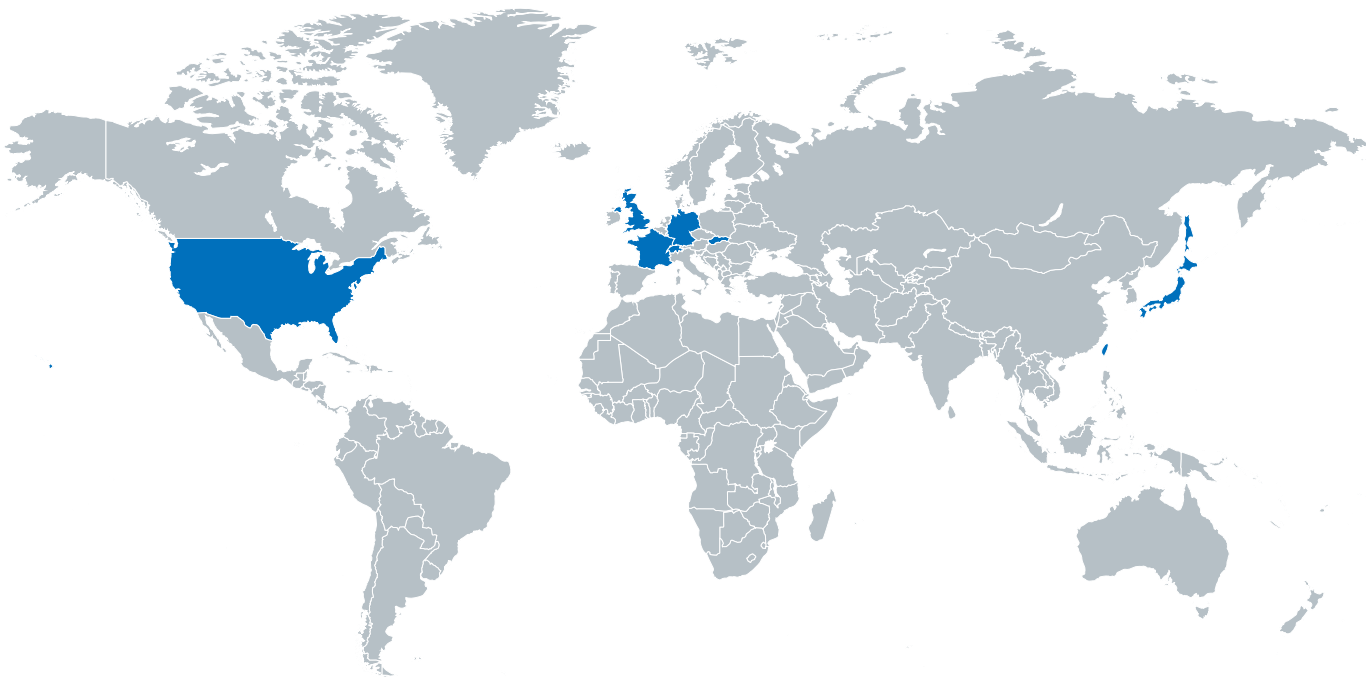


TELEGÄRTNER GROUP

Worldwide there for you

The head office of the Telegärtner Group is located in Steinenbronn, Germany, another production site in Klingenberg. It lies in the heart of the Stuttgart industrial region from where world-renowned companies such as Mercedes-Benz, Porsche, or Bosch began their global triumphal march. Telegärtner Germany manufactures network cabling components and coaxial connectors for structured cabling as well as plastic injection moulded parts in Steinenbronn. Precision turned parts and components for fiber optic technology are produced in Klingenberg. Finally, active and passive electronic sub-assemblies are developed and manufactured in Crailsheim. Beyond this, we also have several overseas subsidiaries.

Telegärtner Inc. Franklin Park, USA <small>SUBSIDIARY NIEDERLASSUNG</small>	Drahtex AG Wallisellen, Switzerland <small>SUBSIDIARY NIEDERLASSUNG</small>	Telegärtner Kunststofftechnik GmbH Steinenbronn, Germany <small>SUBSIDIARY NIEDERLASSUNG</small>	Telegärtner Elektronik GmbH Crailsheim, Germany <small>PARTNER</small>
Telegärtner France SARL Paris, France <small>SUBSIDIARY NIEDERLASSUNG</small>		Telegärtner Karl Gärtner GmbH Steinenbronn, Germany Klingenberg, Germany <small>HEAD OFFICE STAMMHAUS PRODUCTION</small>	



Telegärtner UK Ltd. Welham Green, UK <small>SUBSIDIARY NIEDERLASSUNG</small>	Telegärtner Slovakia a. s. Prešov, Slovakia <small>SUBSIDIARY NIEDERLASSUNG</small>	Telegärtner Taiwan Co. Ltd. Taipei City, Taiwan <small>SUBSIDIARY NIEDERLASSUNG</small>	Japan Telegärtner Ltd. Tokyo Japan <small>SUBSIDIARY NIEDERLASSUNG</small>
---	--	--	---



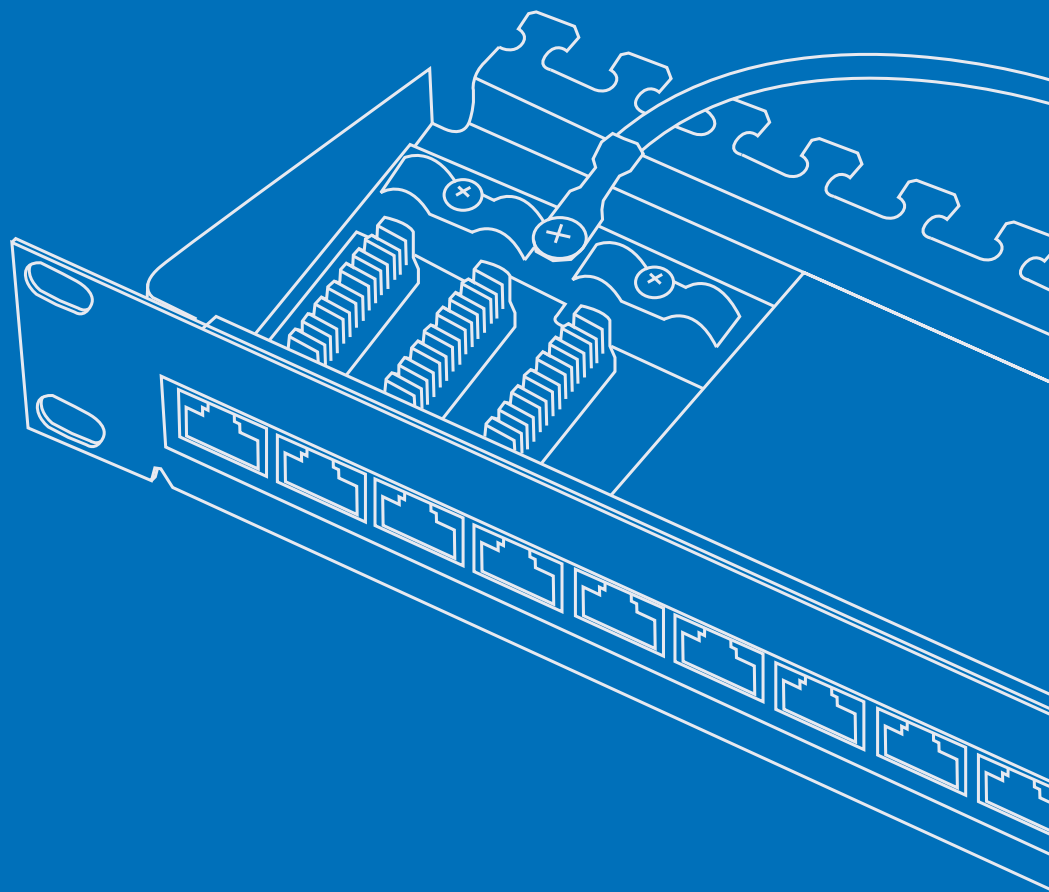
TELEGÄRTNER WORLDWIDE

You will find Telegärtner agents always up to date on our homepage:

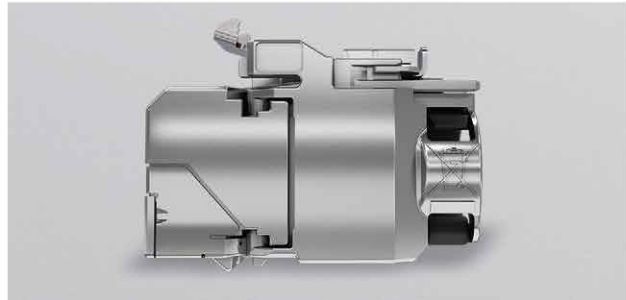
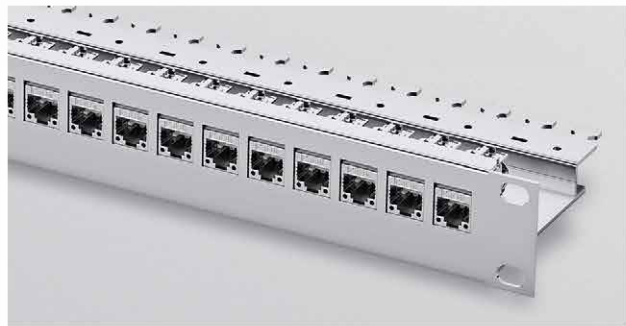
www.telegaertner.com



19" MODULAR COPPER PANELS



19" MODULAR COPPER PANELS



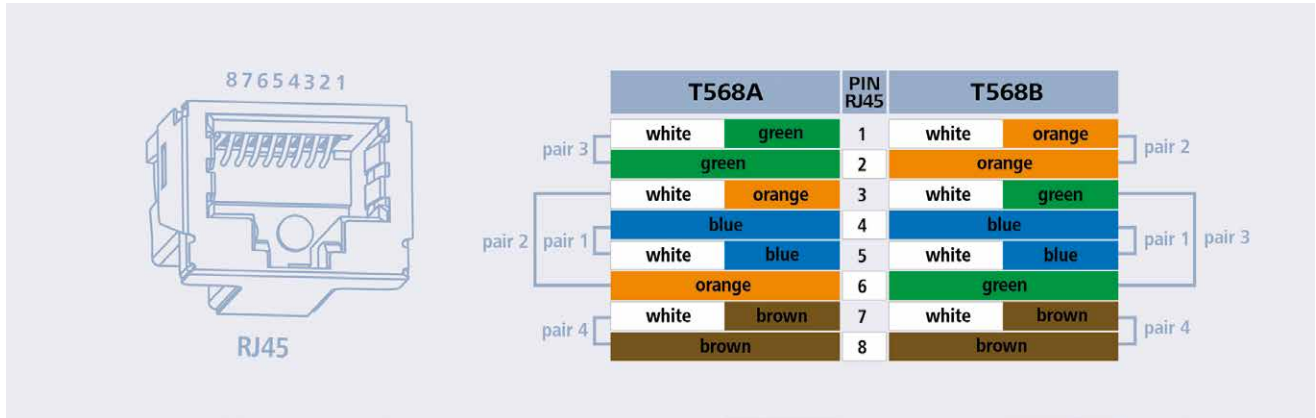
- 1.1 Modules/Couplers..... 28**
 - 1.1.1 AMJ-SL Module..... 28
 - 1.1.2 AMJ-S Module..... 29
 - 1.1.3 AMJ Module K..... 30
 - 1.1.2 AMJ Module Cat.8.1..... 30
 - 1.1.5 AMJ Coupler K..... 31
 - 1.1.6 UMJ-SL Module..... 32
 - 1.1.7 UMJ Coupler..... 32
- 1.2 Applications..... 33**
 - 1.2.1 19" Module Carriers without Modules/Couplers..... 33
 - 1.2.2 19" Module Carriers with Modules/Couplers..... 35
 - 1.2.3 3HE/7PU Front Plates with Modules..... 37

19" MODULAR COPPER PANELS 1

	AMJ-SL Module Cat.6 _A	AMJ Module Cat.8.1	AMJ-S Module Cat.6 _A	AMJ Module K	AMJ Coupler K	UMJ-SL Module Cat.6 _A	
Standards							
Connectors	IEC 60603-7-51					IEC 60603-7-41	
Mechanical Characteristics							
Insertion force	≤ 30 N	≤ 30 N	≤ 30 N	≤ 30 N	≤ 30 N	≤ 30 N	
Life (mating cycles RJ45, RJ12, RJ11)	≥ 750	≥ 750	≥ 750	≥ 750	≥ 750	≥ 750	
Material: housing	Zinc die-cast Ni plated	Zinc die-cast Ni plated	Zinc die-cast Ni plated	Zinc die-cast	Zinc die-cast	PC UL94 V0	
Material: snap-fit	Zinc diecast	-	Spring steel	PC UL94 V0	Zinc die-cast	-	
Material: shield	German silver	Phosphorous bronze		German silver		-	
Material: insulators	PC UL94 HB	PBT UL94 HB natur	PC UL94 HB	PBT	PA	PC UL94 HB	
Material: PCB	FR4 UL94 V0	FR4					
Material: contact spring	Bronze gold plated	Spring steel				Bronze gold plated	
Material: contact IDC termination	Bronze tinned	CuNi2Si	CuNi2Si	CuNi2Si	-	Tin plated	
CU-Conductor diameter: solid	0.41 - 0.64 mm AWG 26/1 - AWG 22/1	0.54-0.64 mm AWG23/1 - AWG22/1	0.41 - 0.64 mm AWG 26/1 - AWG 22/1	0.41 - 0.64 mm AWG 26/1 - AWG 22/1	-	0.41 - 0.64 mm AWG 26/1 - AWG 22/1	
CU-Conductor diameter: stranded	0.46 - 0.76 mm AWG 27/7 - AWG 22/7	-	0.46 - 0.76 mm AWG 27/7 - AWG 22/7	0.46 - 0.76 mm AWG 27/7 - AWG 22/7	-	0.46 - 0.76 mm AWG 27/7 - AWG 22/7	
Material: cable clamp	PC UL94 V0	-	PC UL94 V0	-	-	-	
Core diameter	0.9 - 1.6 mm	1.0 - 1.6 mm	0.9 - 1.6 mm			0.9 - 1.6 mm	
Cable diameter	max. 9 mm	max. 10 mm	max. 9 mm	max. 9 mm	-	max. 9 mm	
Environmental Requirements							
Ambient temperature	-40 °C to +70 °C	-40 °C to +70 °C	-40 °C to +85 °C	-40 °C to +70 °C	-40 °C to +70 °C	-40 °C to +70 °C	
Electrical Characteristics							
Contact resistance	≤ 20 mΩ	≤ 20 mΩ	≤ 20 mΩ	≤ 20 mΩ	≤ 20 mΩ	≤ 20 mΩ	
Isulation resistance	≥ 500 MΩ	≥ 500 MΩ	≥ 500 MΩ	≥ 500 MΩ	≥ 500 MΩ	≥ 500 MΩ	
Voltage proof: contact-contact	≥ 1000 V, DC	≥ 1000 V, DC	≥ 1000 V, DC	≥ 1000 V, DC	≥ 1000 V, DC	≥ 1000 V, DC	
Voltage proof: contact-shield	≥ 1500 V, DC	≥ 1500 V, DC	≥ 1500 V, DC	≥ 1500 V, DC	≥ 1000 V, DC	-	
Current carrying capacity at 50 °C	1A	1A	1A	1A	1A	1A	
PoE+ acc to IEEE 802.3at	Adequate for Power over Ethernet+						
4PPoE acc to IEEE 802.3bt	Adequate for 4 Pair Power over Ethernet	Adequate for 4 Pair Power over Ethernet	Adequate for 4 Pair Power over Ethernet	Adequate for 4 Pair Power over Ethernet	-	Adequate for 4 Pair Power over Ethernet	
Transmission Characteristics							
Category 6 _A (component)	ISO/IEC 11801-1, EN 50173-1					-	-
Class E _A (permanent link)	ISO/IEC 11801-1, EN 50173-1					-	-
Class E _A (channel)	ISO/IEC 11801-1, EN 50173-1						
Class E (channel with Coupler Cat.6)	-	-	-	-	ISO/IEC 11801-1, EN 50173-1		
Class D (channel with Coupler Cat.5e)	-	-	-	-	ISO/IEC 11801-1, EN 50173-1		
Gigabit Ethernet	Fulfilled	Fulfilled	Fulfilled	Fulfilled	Fulfilled	Fulfilled	
10 Gigabit Ethernet	Fulfilled	Fulfilled	Fulfilled	Fulfilled	Fulfilled	Fulfilled	
UL	-	-	fulfilled	-	-	-	
PVP	Yes	-	-	-	-	-	

1 19" MODULAR COPPER PANELS

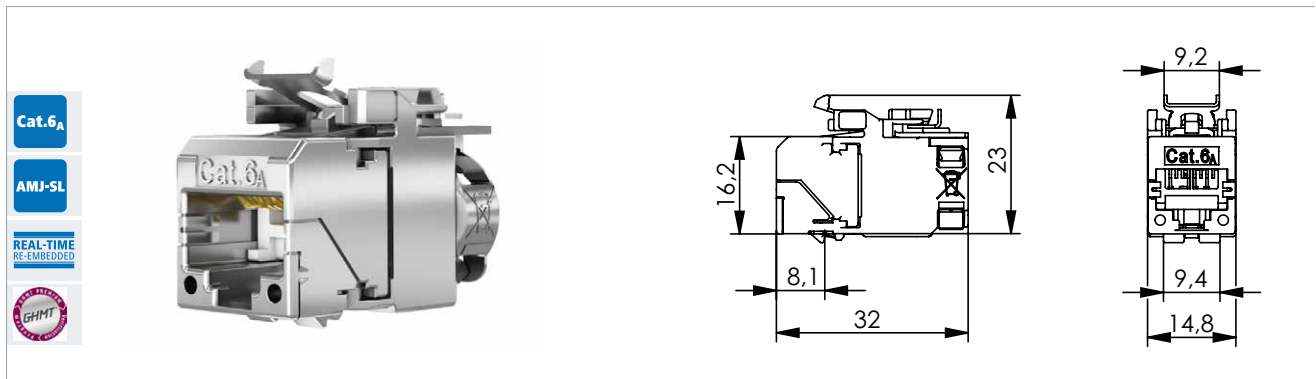
RJ45 pin colour coding acc. to ANSI/TIA-568



1.1 Modules/Couplers

1.1.1 AMJ-SL Module

- Extremely short overall length of only 32 mm
- Made in Stuttgart
- PVP certificate
- Safe Lock
- Type Approval Component Category 6_A, certified by GHMT, all electrical values above those required by the standard for Cat.6_A high planning reliability
- Captive cable strain relief
- Compatible with faceplates of leading manufacturers
- 360° shielding due to refined zinc die-cast housing and metallic snap-in hooks
- Cardboard packaging
- Detailed assembly instructions and assembly video can also be called up on the move via QR code
- Easy & fast assembly without special tools
- Suitable for 4 Pair Power over Ethernet
- ≥ 750 mating cycles with RJ45/RJ11/RJ12



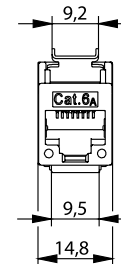
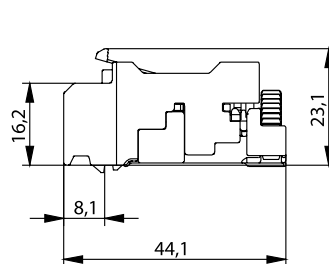
Part No.	Short name	Remarks	Type
100023207	AMJ-SL Module Cat.6 _A , T568A	Tool-free connectivity, suitable for RJ45/11/12 plugs	Pack of 6 x 2
100023208	AMJ-SL Module Cat.6 _A , T568B	Tool-free connectivity, suitable for RJ45/11/12 plugs	Pack of 6 x 2
100023209	AMJ-SL Module Cat.6 _A , T568A	Tool-free connectivity, suitable for RJ45/11/12 plugs	Pack of 12
100023210	AMJ-SL Module Cat.6 _A , T568B	Tool-free connectivity, suitable for RJ45/11/12 plugs	Pack of 12

AMJ-S Module

1.1.2

- Cat.6_A acc. to IEC 60603-7-51
- Cat.6_A re-embedded tested acc. to IEC 60512-27-100
- Link certificate: Class E_A acc. to ISO/IEC 11801
- 10 Gigabit Ethernet compliant (IEEE 802.3an)
- ≥ 750 mating cycles with RJ45/RJ11/RJ12 plugs
- Suitable for 4 Pair Power over Ethernet

- Fits into faceplates of leading manufacturers manufacturers with design capable faceplate AMJ-S Up/0 flex
- Integrated strain relief for cable O.D. to 9 mm
- Universal, world-wide available installation dimension for mounting cut-outs: 19.3 x 14.7 mm

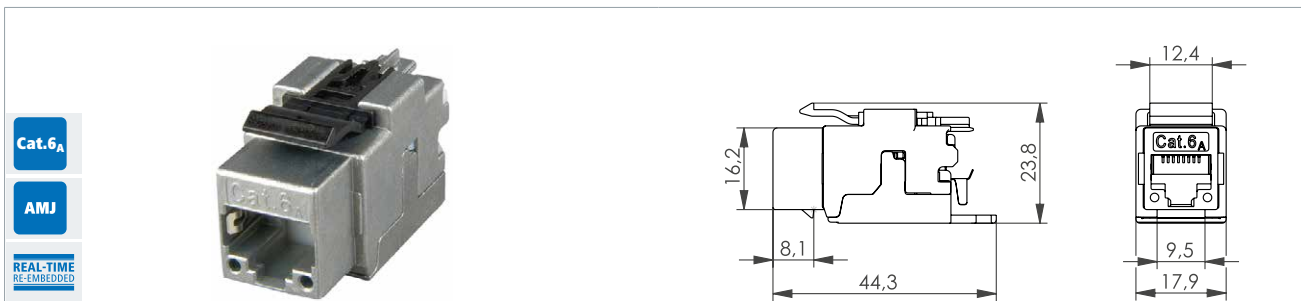


Part No.	Short name	Remarks	Type	Mount. dim.
100023196	AMJ-S Module Cat.6 _A T568A	Tool-free connectivity, suitable for RJ45/11/12 plugs	Pack of 6 x 2	Z121
100023197	AMJ-S Module Cat.6 _A T568B	Tool-free connectivity, suitable for RJ45/11/12 plugs	Pack of 6 x 2	Z121
100023198	AMJ-S Module Cat.6 _A T568A	Tool-free connectivity, suitable for RJ45/11/12 plugs	Blister pack of 24	Z121
100023199	AMJ-S Module Cat.6 _A T568B	Tool-free connectivity, suitable for RJ45/11/12 plugs	Blister pack of 24	Z121
100023205	AMJ-S DD Module Cat.6 _A T568A	Tool-free connectivity, suitable for RJ45/11/12 plugs; integrated protection against damage of contacts by means of automatic defined release of connection	Pack of 6 x 2	Z121
100023206	AMJ-S DD Module Cat.6 _A T568B	Tool-free connectivity, suitable for RJ45/11/12 plugs; integrated protection against damage of contacts by means of automatic defined release of connection	Pack of 6 x 2	Z121

1 19" MODULAR COPPER PANELS

1.1.3 AMJ Module K

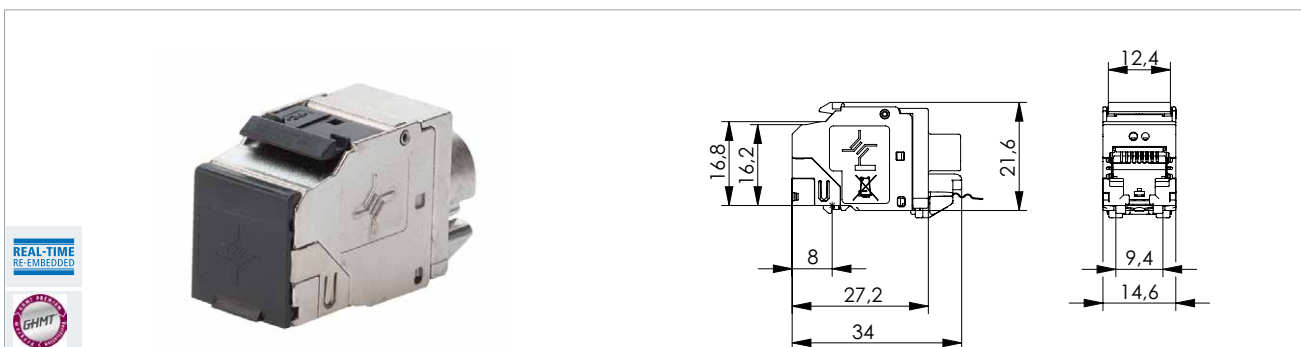
- Cat.6_A acc. to IEC 60603-7-51
- Link certificate: Class E_A acc. to ISO/IEC 11801-1
- 10 Gigabit Ethernet compliant (IEEE 802.3an)
- ≥ 750 mating cycles with RJ45/RJ11/RJ12 plugs
- Suitable for 4 Pair Power over Ethernet
- Integrated strain relief for cable O.D. to 9 mm
- Universal, world-wide available installation dimension for mounting cut-outs: 19.3 x 14.7 mm



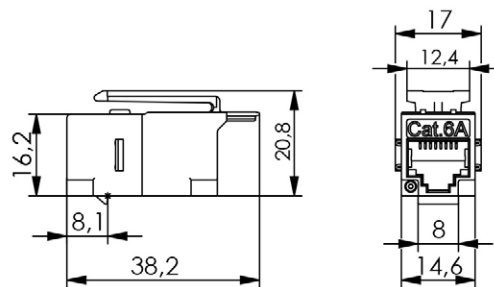
Part No.	Short name	Remarks	Type	Mount. dim.
100023225	AMJ Module K Cat.6 _A T568A	Tool-free connectivity, suitable for RJ45/11/12 plugs	Pack of 6 x 2	Z121
100023173	AMJ Module K Cat.6 _A T568B	Tool-free connectivity, suitable for RJ45/11/12 plugs	Pack of 6 x 2	Z121
100023231	AMJ Module K Cat.6 _A T568A	Tool-free connectivity, suitable for RJ45/11/12 plugs	Blister pack of 24	Z121
100023215	AMJ Module K Cat.6 _A T568B	Tool-free connectivity, suitable for RJ45/11/12 plugs	Blister pack of 24	Z121

1.1.4 AMJ Module Cat.8.1

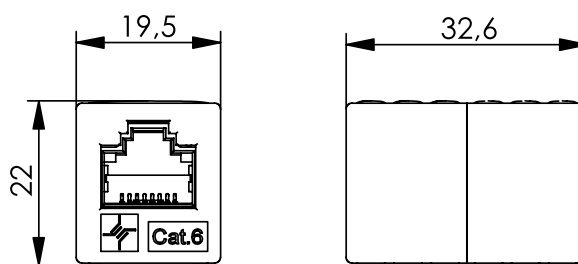
- Category 8.1/Class I according to ISO/IEC 11801-1
- 25/40GBASE-T acc. to IEEE 802.3bq
- Backward compatible to class E_A according to ISO/IEC 11801-1 (permanent link up to 90 m and channel up to 100 m)
- ≥ 750 mating cycles with RJ45/RJ11/RJ12
- Material shielding housing: zinc die-cast nickel plated
- Suitable for 4 Pair Power over Ethernet
- IP20



Part No.	Short name	Remarks
100023211	AMJ Module Cat.8.1 T568A/B	RJ45 module featuring full-metal cable clamp Most suited for assembly with installation cables Cat.8.1/Cat.8.2

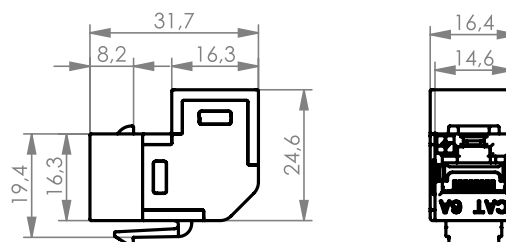


Part No.	Short name	Remarks	Type	Mount. dim.
100023165	AMJ Coupler K Cat.6A, f-f	Suitable for RJ45/11/12 plugs	Pack of 4	Z121
100023227	AMJ Coupler K Cat.5e, f-f	Suitable for RJ45/11/12 plugs	Pack of 4	Z121
100023213	AMJ Coupler K Cat.6A, f-f	Suitable for RJ45/11/12 plugs	Blister pack of 24	Z121
100023233	AMJ Coupler K Cat.5e, f-f	Suitable for RJ45/11/12 plugs	Blister pack of 24	Z121



Part No.	Short name	Remarks	Description	Colour
100023166	AMJ Coupler K Cat.6A insulated, f-f*	Suitable for RJ45/11/12 plugs	Suitable for Class E _A channel, 10 Gigabit Ethernet	Alpine white
100023228	AMJ Coupler K Cat.5e, insulated, f-f*	Suitable for RJ45/11/12 plugs	Suitable for Class E channel, 1 Gigabit Ethernet	Alpine white

*stand-alone coupler for patch cords, no snap-in mounting

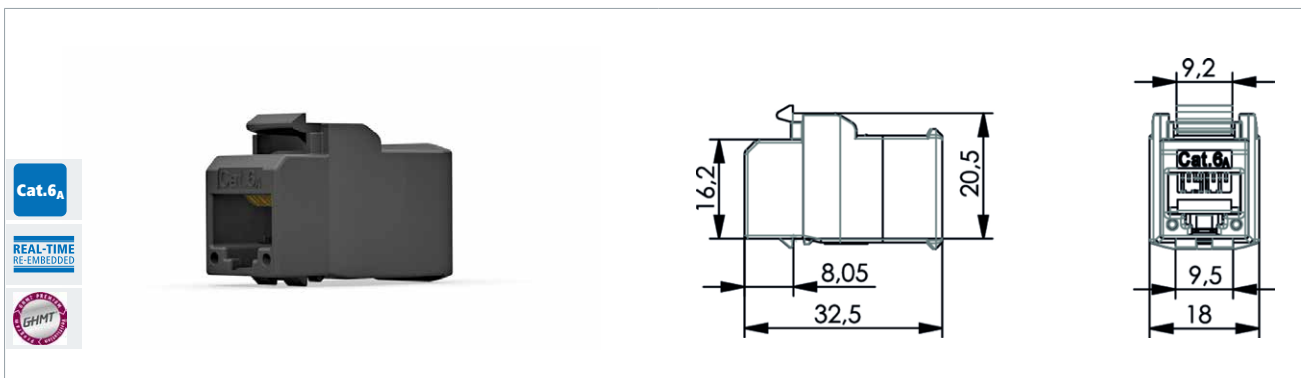


Part No.	Short name	Remarks	Description
100023195	AMJ Coupler 90° Cat.6A	Suitable for RJ45/11/12 plugs	Suitable for Class E _A channel, 10 Gigabit Ethernet

1 19" MODULAR COPPER PANELS

1.1.6 UMJ-SL Module

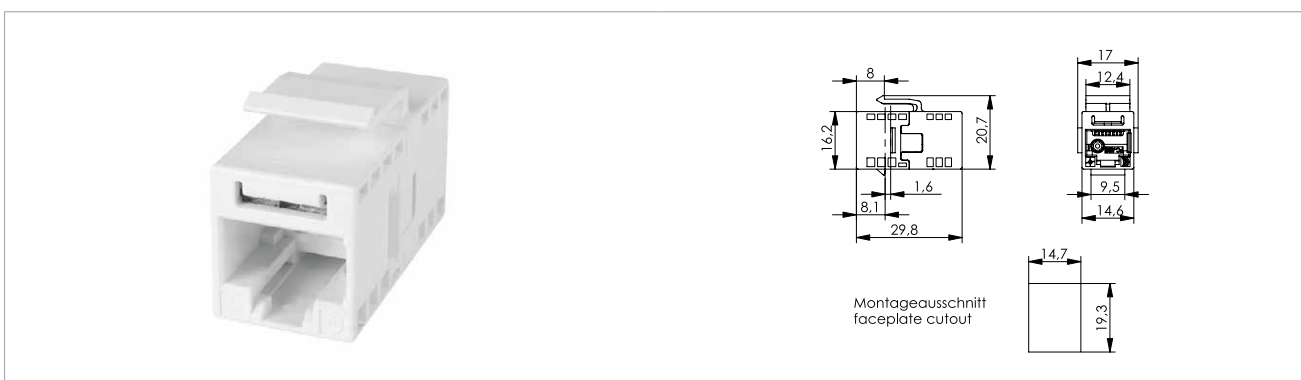
- Cat.6_A acc. to IEC 60603-7-41
- Made in Stuttgart
- Link certificate: Class E_A acc. to ISO/IEC 11801
- Suitable for 4 Pair Power over Ethernet
- Integrated strain relief for cable O.D. to 9 mm
- ≥ 750 mating cycles with RJ45/RJ11/RJ12 plugs
- Fits into faceplates of leading manufacturers manufacturers with design capable faceplate AMJ-5 Up/0 flex
- Universal, world-wide common installation dimension for mounting cut-outs: 19.3 x 14.7 mm



Part No.	Short name	Remarks	Type
100034491	UMJ-SL Module Cat.6 _A T568A	Tool-free connectivity, suitable for RJ45/11/12 plugs	6 x 2
100034493	UMJ-SL Module Cat.6 _A T568B	Tool-free connectivity, suitable for RJ45/11/12 plugs	6 x 2
100042431	UMJ-SL Module Cat.6 _A T568A	Tool-free connectivity, suitable for RJ45/11/12 plugs	Blister pack of 24
100042316	UMJ-SL Module Cat.6 _A T568B	Tool-free connectivity, suitable for RJ45/11/12 plugs	Blister pack of 24

1.1.7 UMJ Coupler

- Class E_A permanent link according to ISO/IEC 11801/EN 50173-1 (not Cat.5e and USB)
- Unshielded
- 10 Gigabit Ethernet suitable (IEEE 802.3an)
- Universal, worldwide common mounting dimension for mounting cutouts 19.3 x 14.7 mm
- Fully automatically produced Class E_A 500 RJ45-core for consistently high quality standard



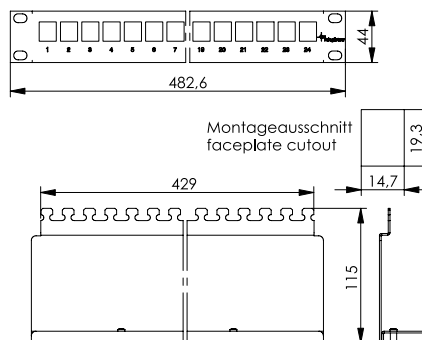
Part No.	Short name	Remarks	Type	Mount. dim.
100023229	UMJ Coupler K Cat.5e, f-f	Suitable for RJ45/11/12 plugs	Pack of 4	Z121
100023234	UMJ Coupler K Cat.5e, f-f	Suitable for RJ45/11/12 plugs	Blister pack of 24	Z121
100023168	UMJ Coupler K Cat.6, f-f	Suitable for RJ45/11/12 plugs	Pack of 4	Z121
100023214	UMJ Coupler K Cat.6, f-f	Suitable for RJ45/11/12 plugs	Blister pack of 24	Z121

Applications

1.2

19" Module Carriers without Modules/Couplers

1.2.1

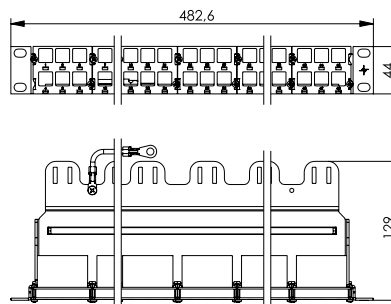
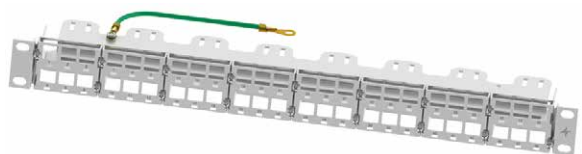


AMJ-SL

AMJ-S

AMJ

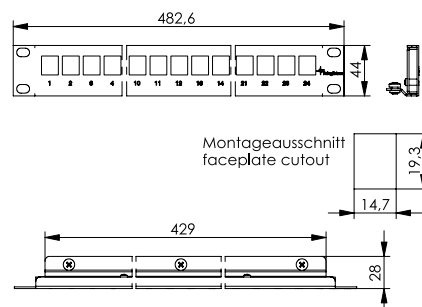
Part No.	Short name	Type	Remarks	Colour
100021492	19" Frontplate 1U	24 ports	Incl. cable strain relief and bonding kit, without modules/couplers	Light grey RAL 7035
100021497	19" Frontplate 1U	24 ports	Incl. cable strain relief and bonding kit, without modules/couplers	Black



AMJ-SL

AMJ-S

Part No.	Short name	Type	Remarks	Colour
100021503	19" Frontplate 1U for 48x AMJ-S series modules	48 ports	Incl. cable strain relief and bonding kit, without modules/couplers	Sheet steel zinc-plated



AMJ-SL

AMJ-S

AMJ

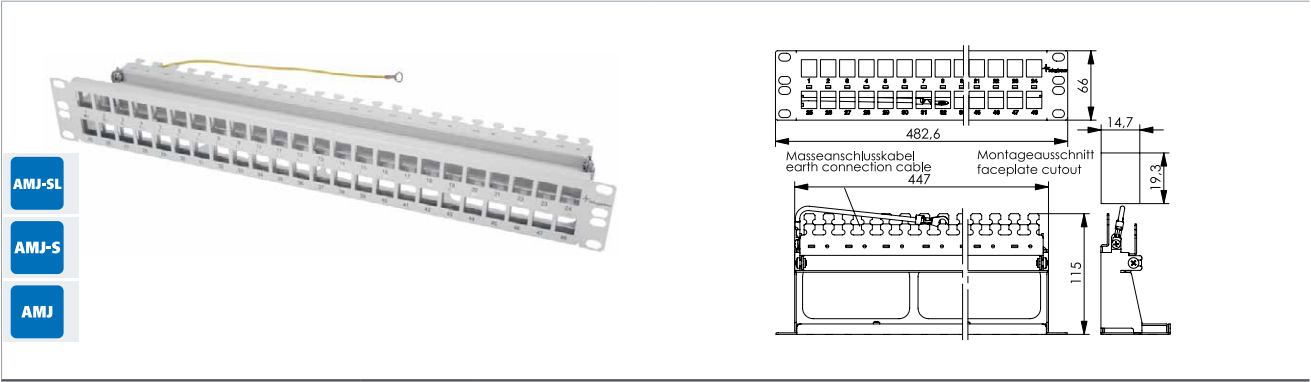
Part No.	Short name	Type	Remarks	Colour
100021496	19" Frontplate 1U	24 ports	Without cable strain relief and bonding kit, without modules/couplers	Light grey RAL 7035
100021498	19" Frontplate 1U	24 ports	Without cable strain relief and bonding kit, without modules/couplers	Black

1.2.1

1 19" MODULAR COPPER PANELS

1.2.1

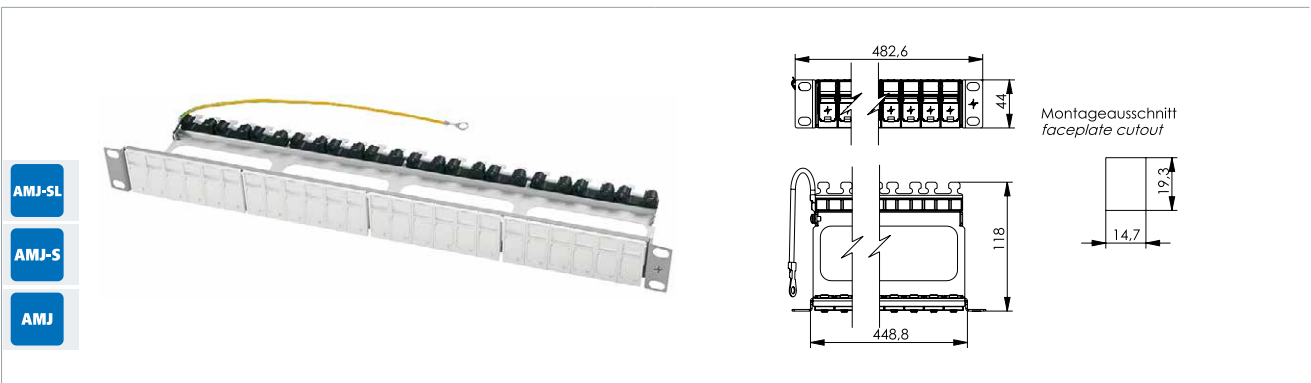
19" Module Carriers without Modules/Couplers



Part No.	Short name	Type	Remarks	Colour
100021494	19" frontplate 1.5U	48 ports	Incl. cable strain relief and bonding kit, without modules/couplers	Light grey RAL 7035
100021507	19" frontplate 1.5U	48 ports	Incl. cable strain relief and bonding kit, without modules/couplers	Black



Part No.	Short name	Type	Remarks	Colour
100021505	19" frontplate 1U	24 ports	Angled, for 24x AMJ series module	Black

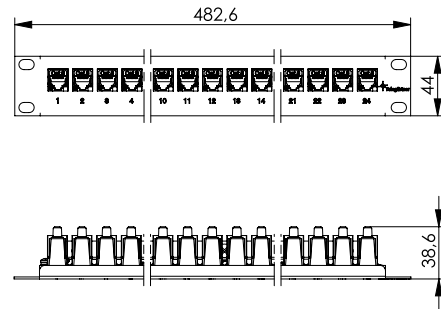


Part No.	Short name	Type	Remarks	Colour
100021502	19" Frontplate Flex 1U	24 ports	Incl. 24 snap-in bezels, cable management, cable strain relief and bonding kit, without modules/couplers	Frontplate light grey RAL 7035/ faceplate alpine white

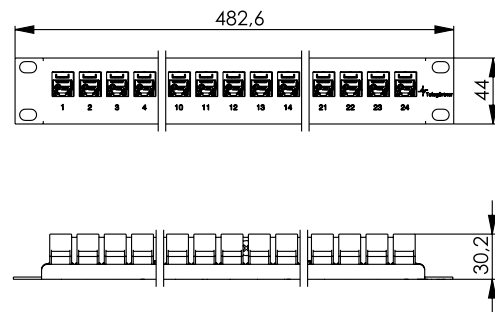
19" MODULAR COPPER PANELS 1

19" Module Carriers with Modules/Couplers

1.2.2



Part No.	Short name	Type	Remarks	Colour
100007028	19" Frontplate 1U	Incl. 24x AMJ Coupler K Cat.5e, bonding kit, without cable strain relief	Suitable for Class E channel, Gigabit Ethernet, suitable for RJ45/11/12 plugs	Light grey RAL 7035
100007007	19" Frontplate 1U	Incl. 24x AMJ Coupler K Cat.6 _A , bonding kit, without cable strain relief	Suitable for Class E _A channel, suitable for RJ45/11/12 plugs	Light grey RAL 7035

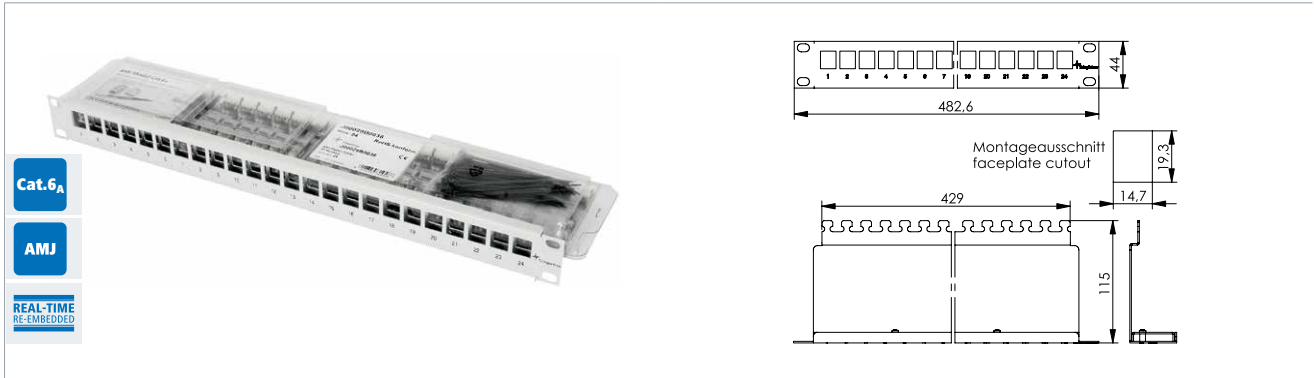


Part No.	Short name	Type	Remarks	Colour
100007008	19" Frontplate 1U	Incl. 24x UMJ Coupler K Cat.6, without cable strain relief	Suitable for RJ45/11/12 plugs	Light grey RAL 7035

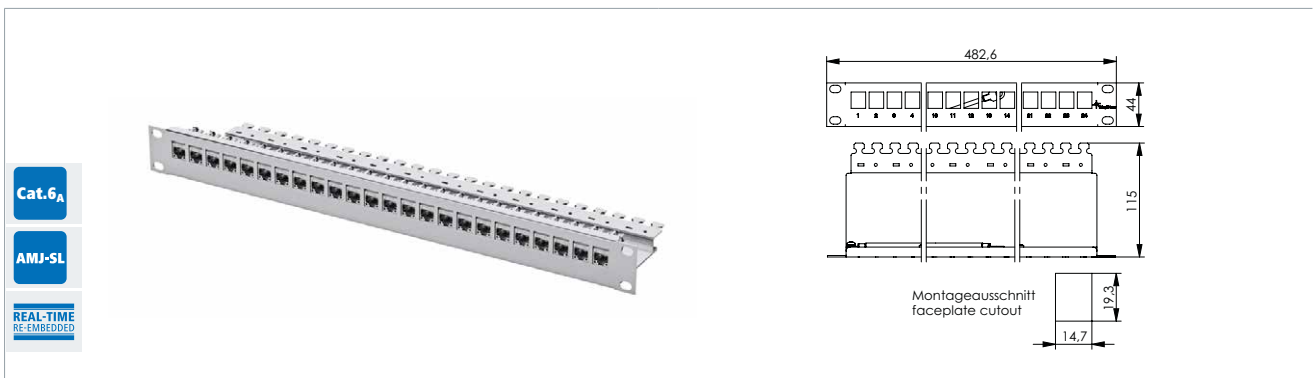
1.2.2

1 19" MODULAR COPPER PANELS

1.2.2 19" Module Carriers with Modules/Couplers

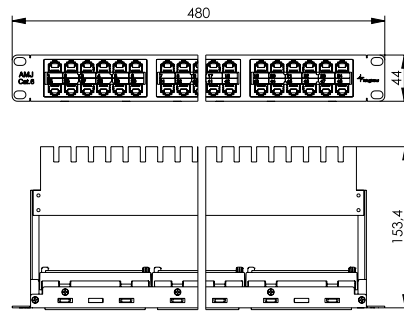


Part No.	Short name	Type	Remarks	Colour
100007029	19" Frontplate 1U	Incl. 24x AMJ Modules K Cat.6 _A T568A, cable strain relief and bonding kit	Tool-free connectivity, suitable for RJ45/11/12 plugs	Light grey RAL 7035
100007009	19" Frontplate 1U	Incl. 24x AMJ Modules K Cat.6 _A T568A, cable strain relief and bonding kit	Tool-free connectivity, suitable for RJ45/11/12 plugs	Black
100007010	19" Frontplate 1U	Incl. 24x AMJ Modules K Cat.6 _A T568B, cable strain relief and bonding kit	Tool-free connectivity, suitable for RJ45/11/12 plugs	Light grey RAL 7035
100007011	19" Frontplate 1U	Incl. 24x AMJ Modules K Cat.6 _A T568B, cable strain relief and bonding kit	Tool-free connectivity, suitable for RJ45/11/12 plugs	Black
100007012	19" Frontplate 1U	Incl. 24x AMJ-S Modules Cat.6 _A T568A, cable strain relief and bonding kit	Tool-free connectivity, suitable for RJ45/11/12 plugs	Light grey RAL 7035
100007013	19" Frontplate 1U	Incl. 24x AMJ-S Modules Cat.6 _A T568B, cable strain relief and bonding kit	Tool-free connectivity, suitable for RJ45/11/12 plugs	Light grey RAL 7035



Part No.	Short name	Type	Remarks	Colour
100007021	19" Frontplate 1U	Incl. 24x AMJ-SL Modules Cat.6 _A T568A, cable strain relief and bonding kit	Suitable for RJ45/11/12 plugs	Light grey RAL 7035
100007022	19" Frontplate 1U	Incl. 24x AMJ-SL Modules Cat.6 _A T568B, cable strain relief and bonding kit	Suitable for RJ45/11/12 plugs	Light grey RAL 7035

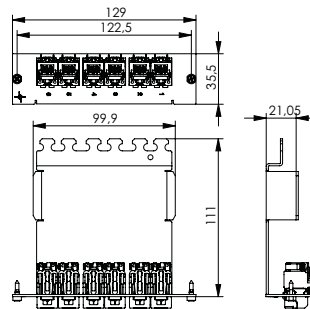
19" MODULAR COPPER PANELS



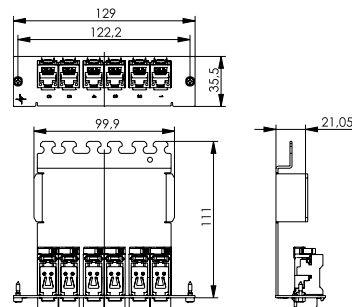
Part No.	Short name	Type	Remarks	Colour
100007036	19" Feedthrough panel, 1U	Incl. 48x AMJ Coupler K Cat.6A (4x12), cable strain relief and bonding	Suitable for RJ45/11/12 plugs	Light grey RAL 7035
100007040	19" Feedthrough panel, 1U	Incl. 48x AMJ Coupler K Cat.6A (4x12), cable strain relief and bonding	Suitable for RJ45/11/12 plugs	Black

3U/7PU Front Plates with Modules

1.2.3

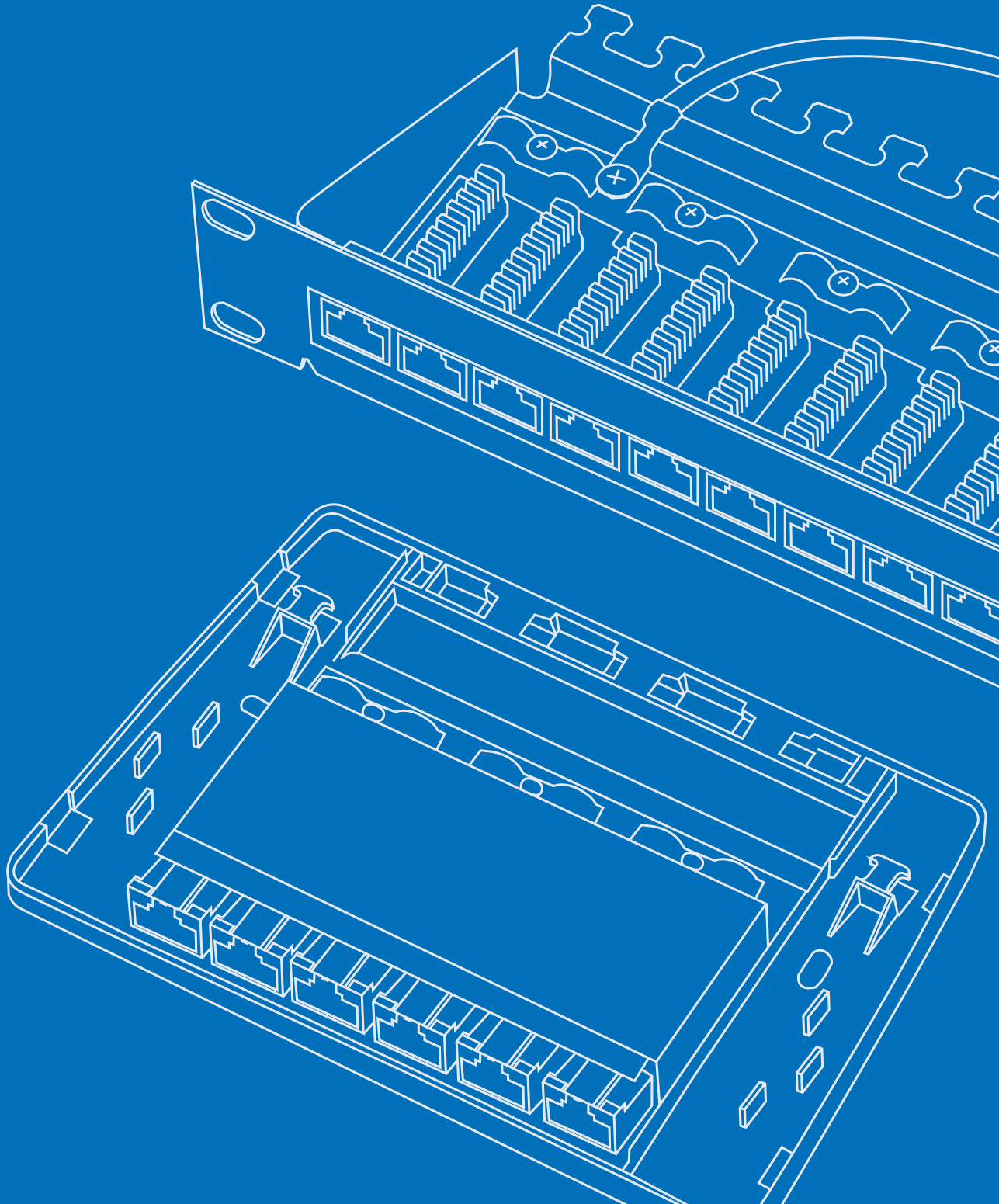


Part No.	Short name	Type	Remarks	Colour
100006986	3U/7PU frontplate	Incl. 6x AMJ-SL Modules Cat.6 _A	Suitable for RJ45/11/12 plugs	Metal

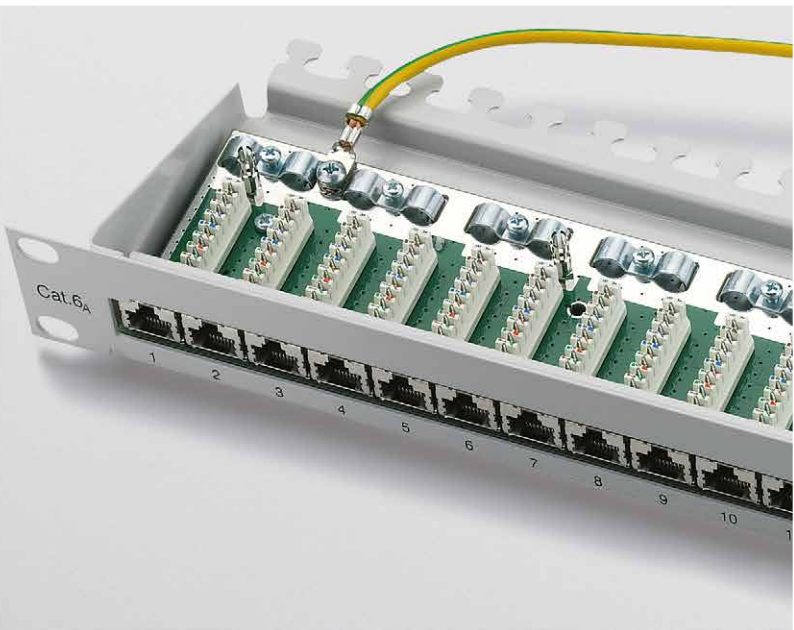
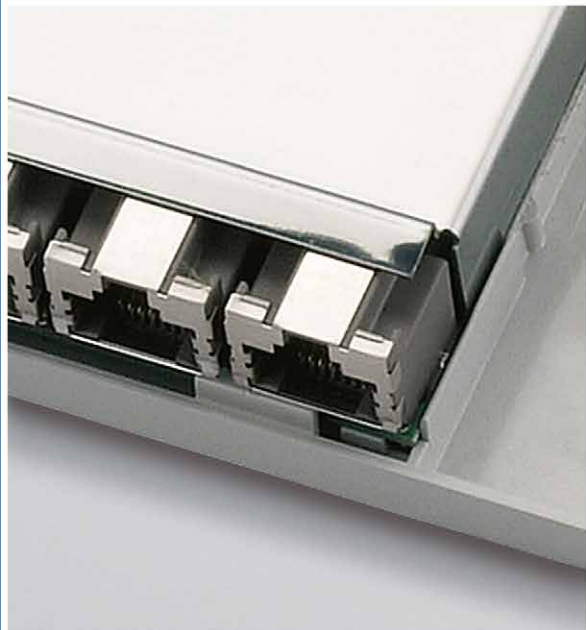


Part No.	Short name	Type	Remarks	Colour
100006985	3U/7PU frontplate	Incl. 6x AMJ-S Modules Cat.6 _A T568A	Suitable for RJ45/11/12 plugs	Metal

19" LSA COPPER PANELS



19" LSA COPPER PANELS



2.1 Patch Panels..... 41

19" LSA COPPER PANELS 2

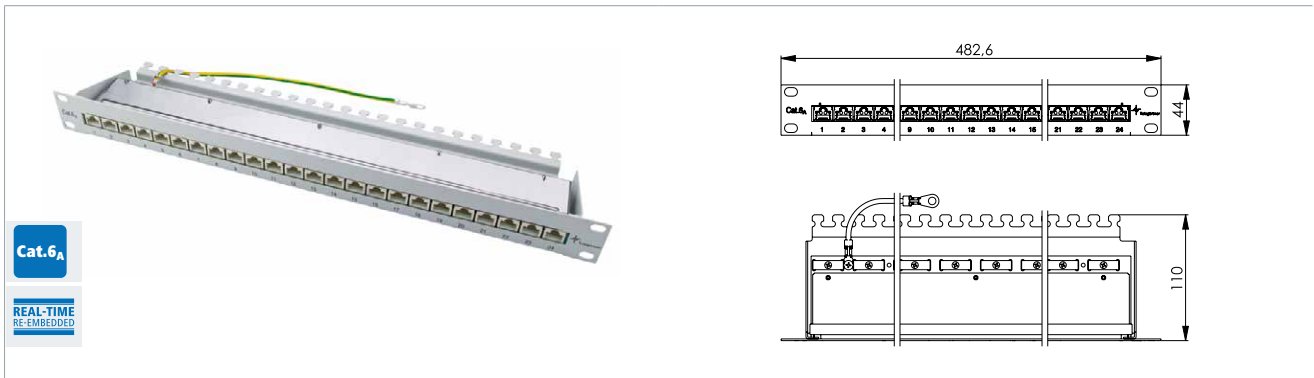
19" Patch Panels 10" Patch Panels	
Standards	
Connectors	IEC 60603-7
Mechanical Characteristics	
Insertion force	≤ 30 N
Durability (mating cycles)	≥ 750
Material: housing	Sheet steel powder coated
Material: shielding housing	Stainless sheet steel
Material: insulators	PA, PBT, PBP, PE
Material: PCB	FR4
Material: PCB finish	Tin plated
Material: contact spring	CuSn, spring steel
Material: contact spring finish	Min. 0.8 μm Au over 1.2 μm Ni
Material: contact IDC termination	CuZn
Material: IDC termination finish	Tin plated
Environmental Requirements	
Ambient temperature	-40 °C to +70 °C
Electrical Characteristics	
Contact resistance	≤ 20 mΩ
Insulation resistance	≥ 500 MΩ
Voltage proof: contact-contact	≥ 1000 V, DC
Voltage proof: contact-shield	≥ 1500 V, DC
Current carrying capacity at 50 °C	1A
PoE+ acc to IEEE 802.3at	Adequate for Power over Ethernet+
4PPoE acc to IEEE 802.3bt	Adequate for 4 Pair Power over Ethernet
Transmission Characteristics	
Category 6A (component) for products Cat.6A	ISO/IEC 11801-1, EN 50173-1
Class E _A (permanent link) for products Cat.6A, Cat.6A, Class E _A 500 Class EA 500	ISO/IEC 11801-1, EN 50173-1
Class E _A (channel) for products Cat.6A, Cat.6A, Class E _A 500	ISO/IEC 11801-1, EN 50173-1
Gigabit Ethernet acc. to IEEE 802.3	Fulfilled
10 Gigabit Ethernet acc. to IEEE 802.3an	Fulfilled

Patch Panels

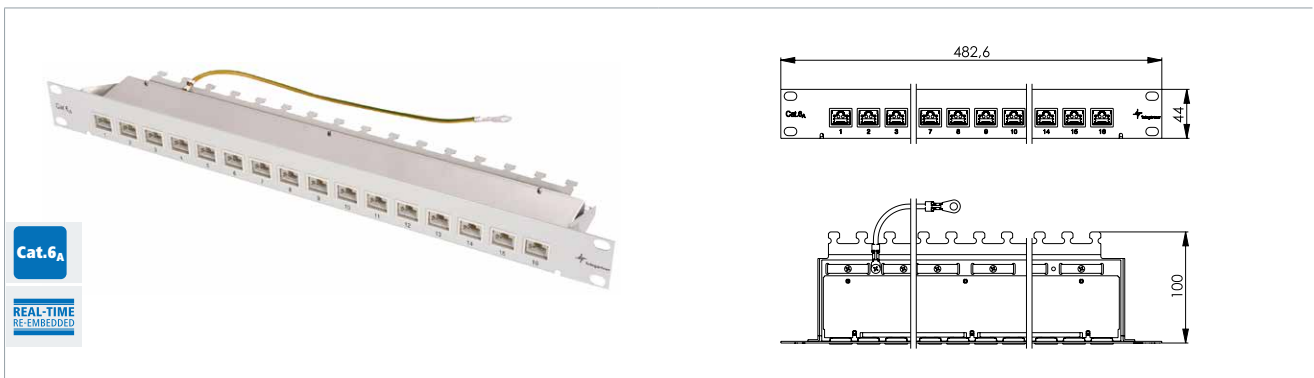
2.1

- 19"/10" rack-mount housing 1U with 12, 16 or 24 RJ45 jacks on a common PCB
- Toolless mounting of the shielding hood (shielded version)
- Printed circuit board horizontal
- Potential connection via enclosed PE cable
- Connection of the wires via LSA-Plus insulation displacement connectors with color coding T568A and T568B
- 360° shield contacting by means of clamps directly on the printed circuit board, without additional twisting of the shielding braid (shielded version)
- Front panel printed with numbers of the jacks
- Connection-friendly if the length of the untwisted pairs is less than 13 mm
- Sufficient distance between connection terminal and shield contact point on the printed circuit board, reduces the possibility of a short between shielding braid and connected wires
- Cable strain relief by enclosed cable ties without screws and special tools
- Housing made of sheet steel, light gray (RAL 7035) or black powder-coated, shielding hood made of stainless steel
- Cat.6A, Class E_A 500 & Cat.6A versions with contact overbend protection: > 750 mating cycles with RJ45/RJ11/RJ12 connectors

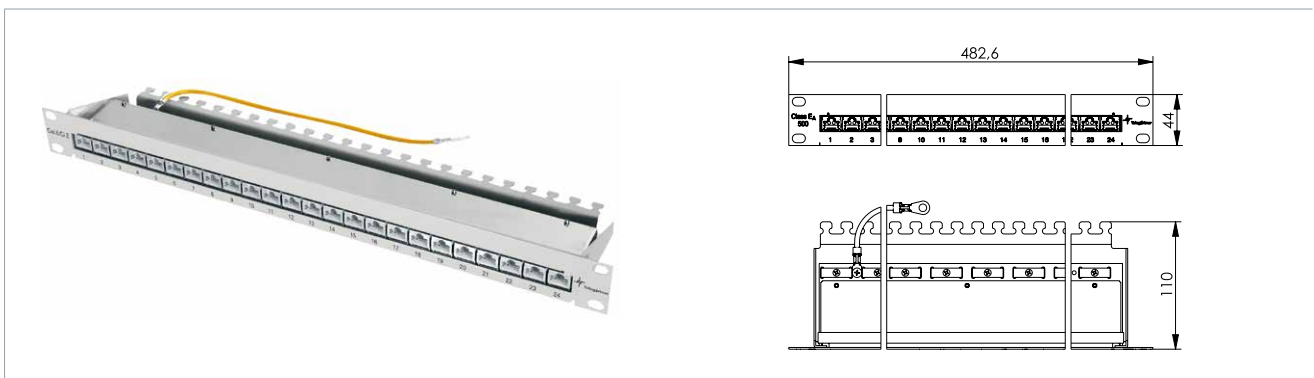
2 19" LSA COPPER PANELS



Part No.	Short name	Type	Colour
100007016	MPP24-HS K Cat.6 _A	24x RJ45 shielded	Light grey RAL 7035
100007017	MPP24-H K Cat.6	24x RJ45 unshielded, without cover	Light grey RAL 7035
100007034	MPP24-HS K Cat.6 _A	24x RJ45 shielded	Black
100007035	MPP24-H K Cat.6	24x RJ45 unshielded, without cover	Black

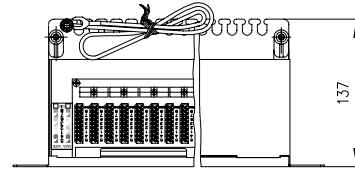
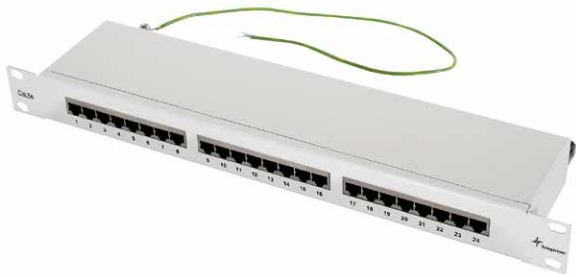


Part No.	Short name	Type	Colour
100006996	MPP16-HS K Cat. 6 _A	16x RJ45 shielded	Light grey RAL 7035

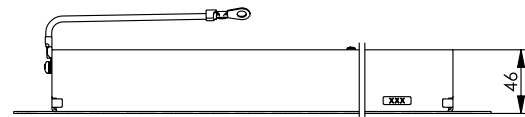
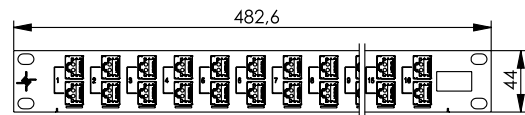
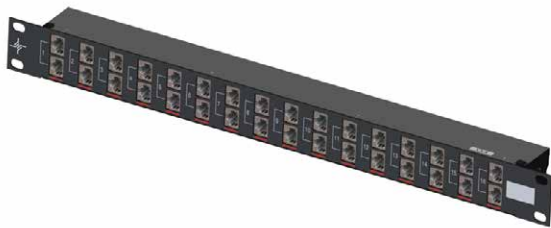


Part No.	Short name	Type	Colour
100007018	MPP24-HS K Class E _A 500	24x RJ45 shielded	Light grey RAL 7035

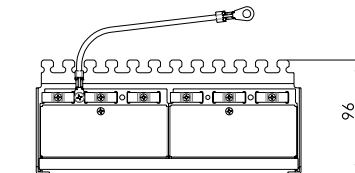
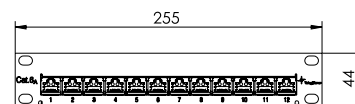
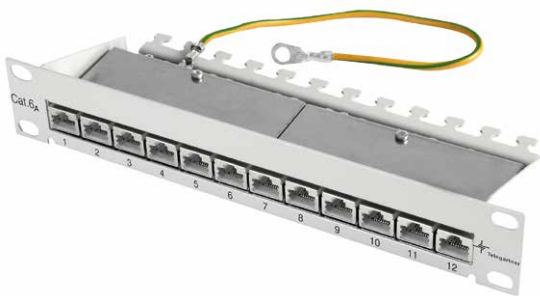
19" LSA COPPER PANELS 2



Part No.	Short name	Type	Colour
100007023	19" Patch Panel MPP24-HS Cat.5e	24x RJ45 shielded	Light grey RAL 7035
100007024	19" Patch Panel MPP24-H Cat.5e	24x RJ45 unshielded, without cover	Light grey RAL 7035
100007033	19" Patch Panel MPP24-H Cat.5e	24x RJ45 unshielded, without cover	Black

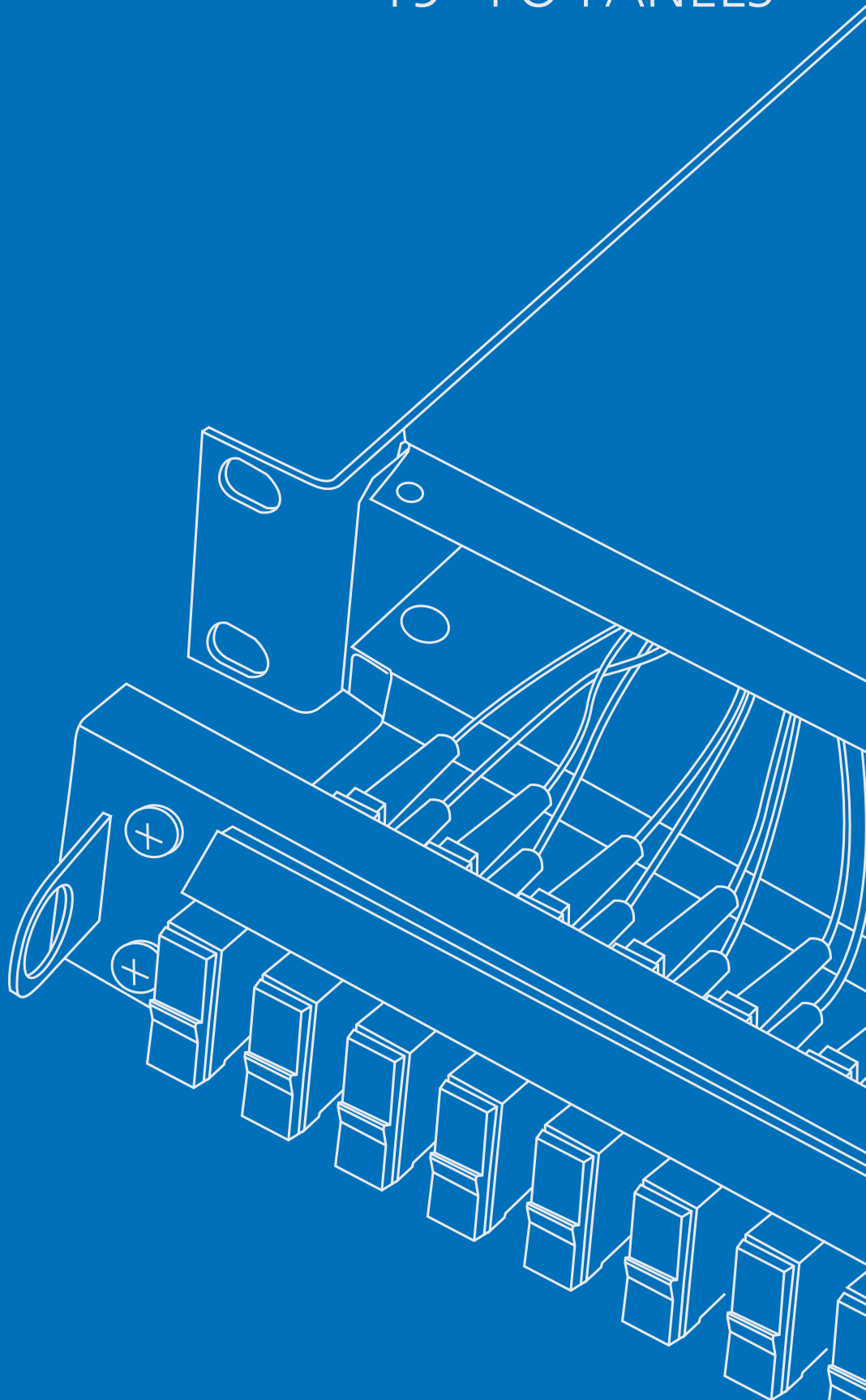


Part No.	Short name	Type	Colour
100007003	16 Port Cross Connect Panel CCP32, 1U	19", 16 ports: 32x RJ45, 10 Gigabit Ethernet	Black

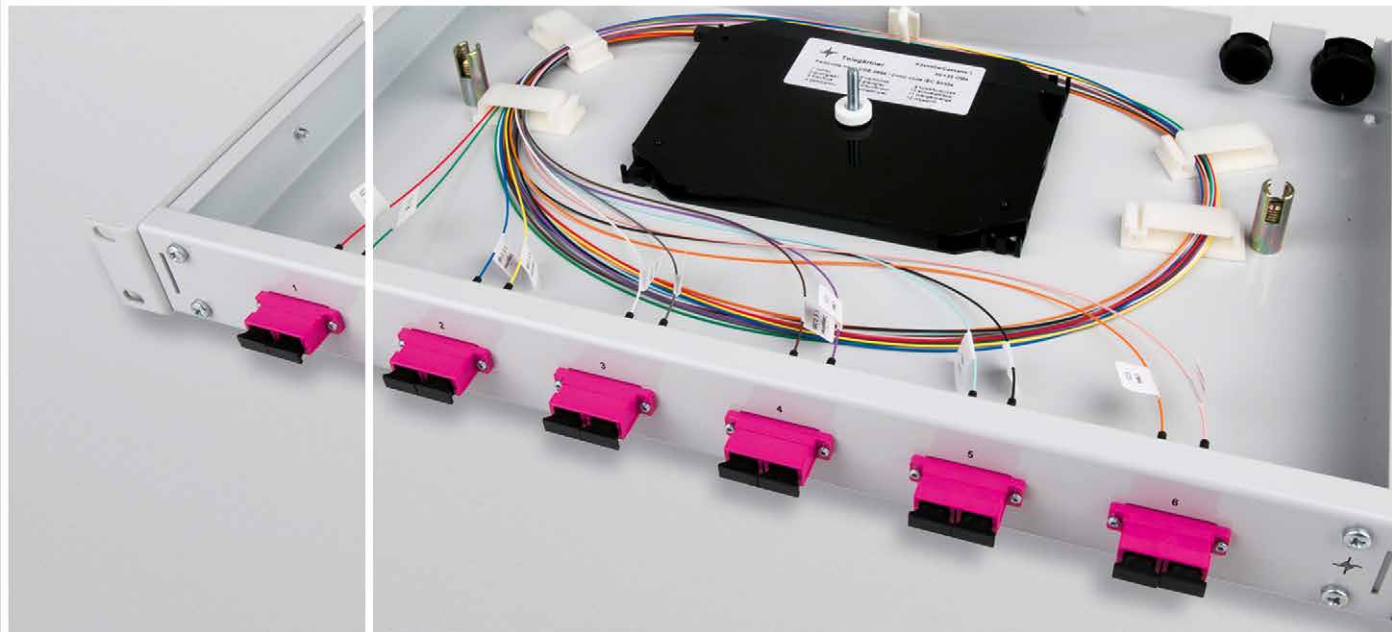


Part No.	Short name	Type	Colour
100007002	10" MPP12-HS K Cat.6A	10" 12x RJ45 shielded	Light grey RAL 7035

19" FO PANELS



19" FO PANELS



- 3.1 Basis ECO..... 48
 - 3.1.1 With Adaptors/without Pigtails..... 48
 - 3.1.2 With Adaptors/with Pigtails..... 49
- 3.2 Basis V..... 50
 - 3.2.1 With Adaptors/without Pigtails..... 50
 - 3.2.2 With Adaptors/with Pigtails..... 51
- 3.3 Profi V..... 52
 - 3.3.1 With Adaptors/without Pigtails..... 52
 - 3.3.2 With Adaptors/with Pigtails..... 53

Telegärtner offers a comprehensive range of fiber optic patch panels for nearly any application. Shelves can be ordered preloaded (with pigtails) or unloaded (without pigtails) with fixed (Basis ECO/ V) and sliding (Profi V) trays.

Housing	BASIS ECO		BASIS V		PROFI V	
Mechanical Characteristics						
Material: Housing	Sheet steel 0.8 mm, powder-coated, light grey RAL 7035, black RAL 9005					
Protection acc. to IEC 60529	IP 20					
Front plates	Sheet aluminium 1.5 mm, powder-coated, light grey RAL 7035 / black RAL 9005, port no. imprinted, marking strip with plastic cover optional					
Cable entries	2x M20 2x M25		2x M20 2x M25		2x M25	
Dimensions	1U		1U	2U	1U	2U
Width	482 mm		482 mm	482 mm	482 mm	482 mm
Hight	44 mm		44 mm	88 mm	44 mm	88 mm
Depth	265 mm		265 mm	265 mm	300 mm	300 mm
Weight (empty)	2.44 kg		2.4 mm	3.5 mm	3.35 mm	4.05 mm

3 19" FO PANELS

3.1 Basis Eco

- For installation of multifiber cables and TICNET pre-terminated cables
- Fixed housing
- Accepts up to 4x splice cassettes (telecom type) or 3x splice cassettes (Nokia type)

Delivery of scope

- Housing with 2 cable entries for M20 and M25 cable glands each
- 1x cable gland M20 for 5-9 mm
- 1x cable gland M25 for 9-16 mm
- 2x covers for M20 and M25
- Splice cassette with integrated crimp splice holders for max. 24x splices and cover
- Front plate
- Adaptors and pigtails see tables
- Cover

Panels with pigtails include crimp splice protectors type Telekom and marking strip.

3.1.1 With Adaptors/without Pigtails

Patch panel comes with adaptors and splice cassette

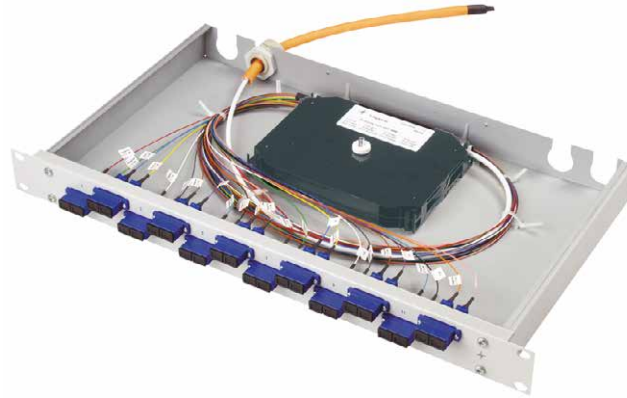


BASIS ECO 1U

	ST	SC-D	LC-D
Part No.			
OS2 12 ports		100022108	
OS2 24 ports	100022107	100022109	100022111
OS2 48 ports		100022110	100022112
OM2 12 ports	100022106	100021886	100021892
OM2 24 ports	100021885	100021887	100021890
OM2 48 ports		100021888	100021891
OM3 12 ports		100022135	100022140
OM3 24 ports		100022136	100022138
OM3 48 ports		100022137	100022139
OM4 12 ports		100022087	100022092
OM4 24 ports		100022088	100022090
OM4 48 ports		100022089	100022091
OM5 12 ports			100022006
OM5 24 ports			100022004
OM5 48 ports			100022005

With Adaptors/without Pigtails

3.1.2



BASIS ECO 1U

	ST	SC-D	LC-D
Part No.			
OS2 12 ports	100021908	100021910	100021915
OS2 24 ports	100021909	100021911	100021913
OS2 48 ports		100021912	100021914
OM2 12 ports	100021898	100021900	100021905
OM2 24 ports	100021899	100021901	100021903
OM2 48 ports		100021902	100021904
OM3 12 ports	100022032	100022034	100022039
OM3 24 ports	100022033	100022035	100022037
OM3 48 ports		100022036	100022038
OM4 12 ports	100021977	100021994	100021999
OM4 24 ports	100021978	100021995	100021997
OM4 48 ports		100021996	100021998

3 19" FO PANELS

3.2 Basis V

- For installation of multifiber cables and TICNET pre-terminated cables
- Fixed housing
- 50 mm recessed mounting possible

Scope of delivery

- Housing with 2 cable entries for M20 and M25 cable glands each
- 1x cable gland M20 for 5-9 mm
- 1x cable gland M25 for 9-16 mm
- 2x covers for M20 and M25
- Splice cassette with integrated crimp splice holders for max. 24x splices and cover
- Front plate
- Adaptors and pigtails see tables
- Cover

Panels with pigtails include crimp splice protectors type Telekom and marking strip.

3.2.1 With Adaptors/without Pigtails

Patch panel comes with adaptors and splice cassette

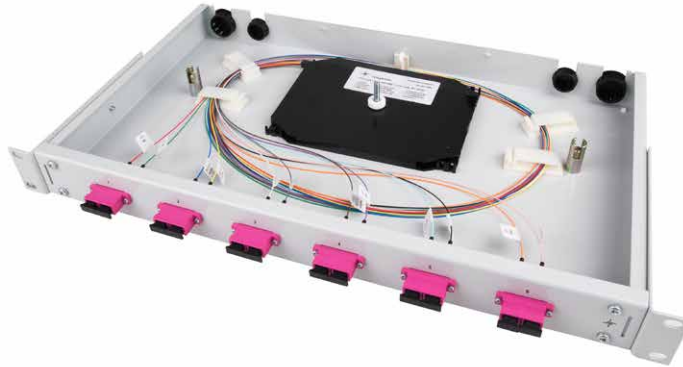


BASIS V 1U

	ST	SC-D	LC-D	E2000
Part No.				
OS2 12 ports		100021684	100021759	100021728
OS2 24 ports		100021685	100021721	100021762
OS2 48 ports		100021693	100021722	
OM2 12 ports		100022047	100022061	
OM2 24 ports	100021680	100022048	100022056	
OM2 48 ports	100021681	100022054	100022057	
OM3 12 ports		100022117	100022130	
OM3 24 ports		100022118	100022126	
OM3 48 ports		100022124	100022127	
OM4 12 ports		100022068	100022081	
OM4 24 ports		100022069	100022077	
OM4 48 ports		100022075	100022078	
OM5 12 ports			100022002	
OM5 24 ports			100022000	
OM5 48 ports			100022001	

With Adaptors/with Pigtails

3.2.2



BASIS V 1U

	ST	SC-D	LC-D	E2000
Part No.				
OS2 12 ports		100021924	100021938	100021936
OS2 24 ports	100021916	100021925	100021930	100021942
OS2 48 ports	100021917	100021928	100021931	
OM2 12 ports		100021953	100021965	
OM2 24 ports	100021946	100021954		
OM2 48 ports	100021947	100021957	100021960	
OM3 12 ports		100022015	100022027	
OM3 24 ports	100022007	100022016	100022021	
OM3 48 ports	100022008	100022019	100022022	
OM4 12 ports		100021980	100021990	
OM4 24 ports		100021981	100021986	
OM4 48 ports		100021984	100021987	
OM5 12 ports			100022098	
OM5 24 ports			100022094	
OM5 48 ports			100022095	

3 19" FO PANELS

3.3 Profi V

- For installation of loose tube cables
- Slide-out design
- Fixed rear panel for secure cable attachment

Scope of delivery

- Housing with 2 cable entries for M25
- 1x cable gland M25 for 9-16 mm
- 1x cover for M25
- 1x fiber protection tube with 12 mm inner diameter
- Front plate
- Splice cassette with integrated splice holders for max. 24x splices und cover
- Adaptors and pigtails see table
- Cover

Panels with pigtails include crimp splice protectors type Telekom and marking strip.

3.3.1 With Adaptors/without Pigtails

Patch panel comes with adaptors and splice cassette



PROFI V 1U

	ST	SC-D	LC-D	E2000
Part No.				
OS2 12 ports		100021686	100021760	100021729
OS2 24 ports		100021687	100021723	100021763
OS2 48 ports		100021694	100021724	
OM2 12 ports	100021682	100022049	100022062	
OM2 24 ports	100021683	100022050	100022058	
OM2 48 ports		100022055	100022059	
OM3 12 ports		100022119	100022131	
OM3 24 ports		100022120	100022128	
OM3 48 ports		100022125	100022129	
OM4 12 ports		100022070		
OM4 24 ports		100022071		
OM4 48 ports		100022076		
OM5 12 ports				
OM5 24 ports				
OM5 48 ports			100022003	

With Adaptors/with Pigtails

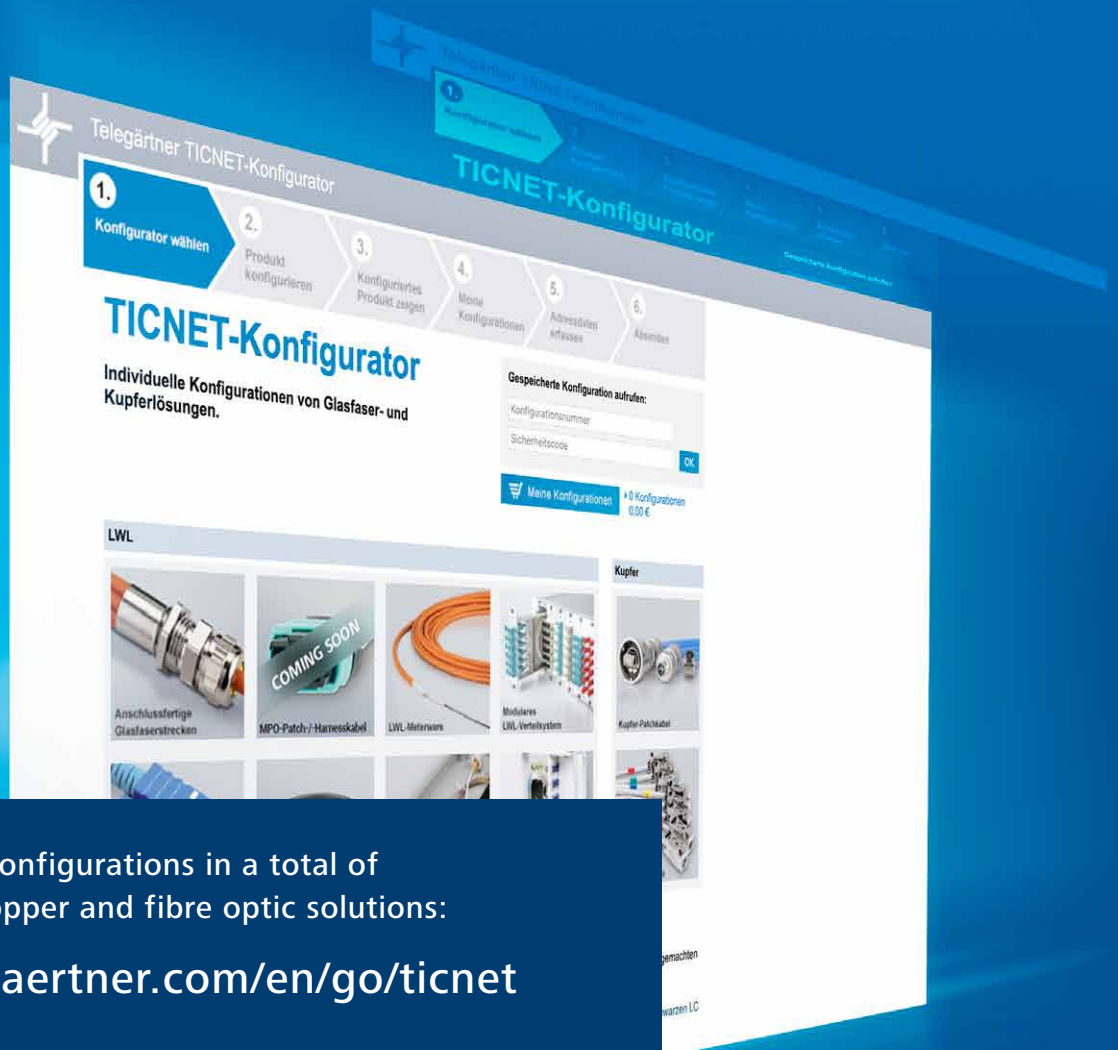
3.3.2



PROFI V 1U

	ST	SC-D	LC-D	E2000
Part No.				
OS2 12 ports	100021918	100021926	100021939	100021937
OS2 24 ports	100021919	100021927	100021932	100021943
OS2 48 ports		100021929	100021933	
OM2 12 ports	100021948	100021955	100021966	
OM2 24 ports	100021949	100021956	100021961	
OM2 48 ports		100021958	100021962	
OM3 12 ports	100022009	100022017	100022028	
OM3 24 ports		100022018	100022023	
OM3 48 ports		100022020	100022024	
OM4 12 ports		100021982	100021991	
OM4 24 ports		100021983	100021988	
OM4 48 ports		100021985	100021989	
OM5 12 ports			100022099	
OM5 24 ports			100022096	
OM5 48 ports			100022097	

OUR TICNET- CONFIGURATOR 24/7, SIMPLE, INDIVIDUAL.



For individual configurations in a total of
10 ranges of copper and fibre optic solutions:

www.telegaertner.com/en/go/ticnet

Fibre optic connection, twisted pair with different
connectors and different housing solutions

It's that simple: TICNET

Step 1

Select product

Step 2

Configure
product

Step 3

Set labelling
(optional)

Step 4

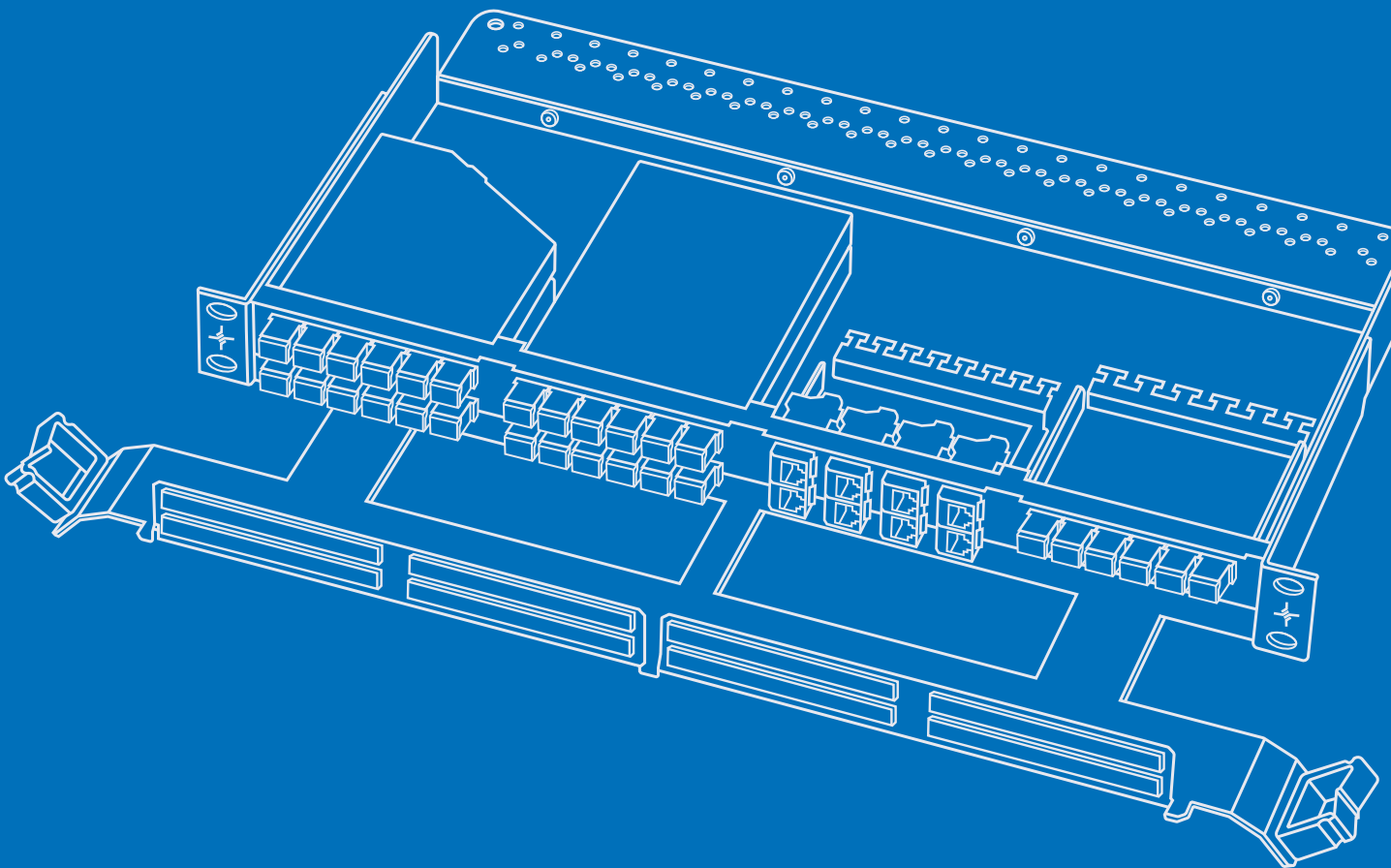
Show
product

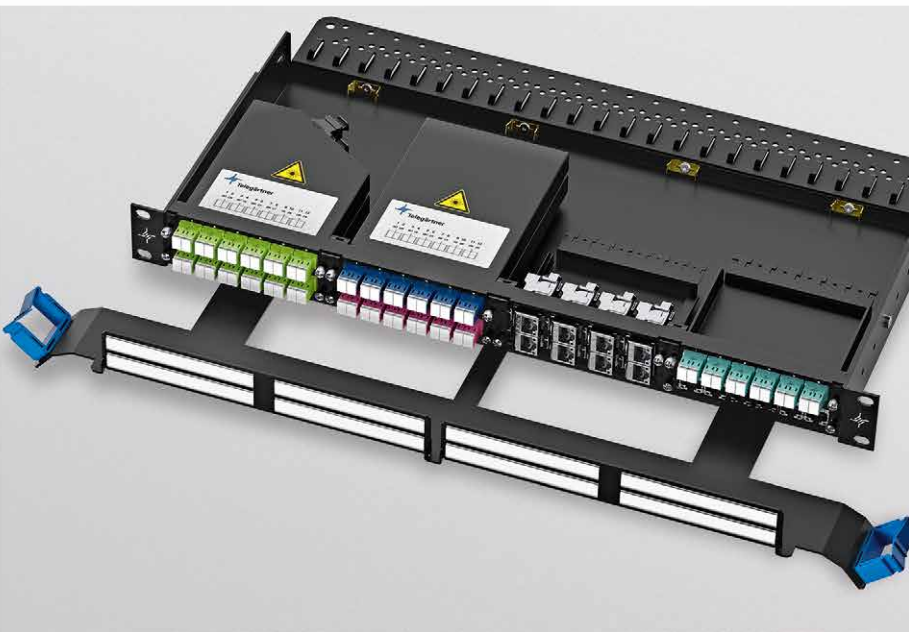
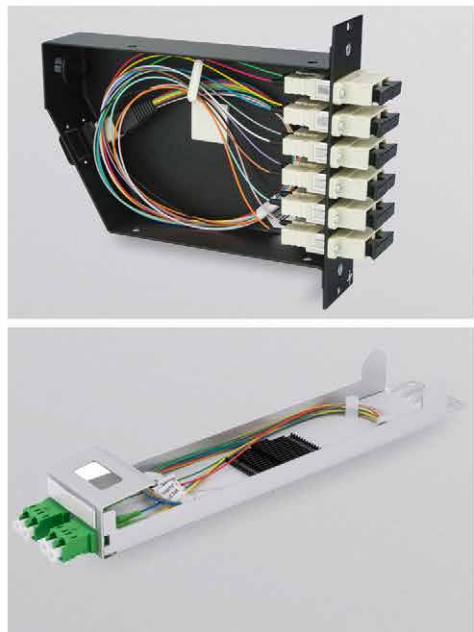
Step 5

Enter address
data & send
request

4

19" MIX





- 4.1 HD³-ES..... 57
 - 4.1.1 HD³-ES Housings & Accessories..... 57
 - 4.1.2 HD³-ES Modules..... 59
- 4.2 3U/7PU..... 61
 - 4.2.1 3U/7PU Empty Housings..... 61
 - 4.2.2 3U/7PU Modules..... 62
- 4.3 FTB..... 65
 - 4.3.1 FTB Module Carriers & Accessories..... 65
 - 4.3.2 FTB Modules..... 67

	HD ³ -ES	3U/7PU	FTB
Mechanical Characteristics			
Construction width	19"	19"	19"
Available heights	0.5, 1 and 3U	1 and 3U	1 and 4U
RJ45 Module	6x/8x RJ45	6x RJ45	-
Fiber optic modules	Splice, FanOut, Patch, Mesh	Splice	Splice
Coaxial modules	6x SMA, 6x BNC	-	-
Insertion direction	Front	Front	Front
Module construction heights	0.5U and 1U	3U	0.67U
Target groups		Small and medium data centers	FITH

HD³ ES

4.1

HD³-ES Housings & Accessories

4.1.1



► Part No. Remarks

100021876 HD³-ES carrier 0.5U, 19", with 4 open/horizontal slots for insertion of max. 4 HD³-ES modules of height 0.5U

100021875 HD³-ES carrier 1U, 19", with 4 open/horizontal slots for insertion of max. 4 HD³-ES modules of height 1U or max. 8 HD³-ES modules of height 0.5U or a combination hereof

100025720 HD³-ES carrier 3U, 19", with 12 open/vertical slots for insertion of max. 12 HD³-ES modules of height 1U or max. 24 HD³-ES modules of height 0.5U or a combination here of



► Part No. Remarks

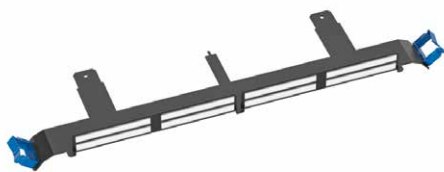
100021877 Top cover for HD³-ES carrier 1U, for tool-free Installation on an HD³-ES carrier of 1U

4.1.1

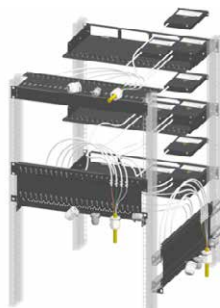


► Part No.	Remarks
100022666	HD ³ -ES rear side cable/cable gland holder M20, for self-assembly with standard tools
100022667	HD ³ -ES rear side cable/cable gland holder M25, for self-assembly with standard tools

► Part No.	Remarks
100021646	Blank module for HD ³ -ES carrier to cover a 0.5U slot
100021647	Blank module for HD ³ -ES carrier to cover a 1U slot



► Part No.	Remarks
100021629	HD ³ -ES front side patch management 0.5U, for frontside mounting on a HD ³ -ES carrier 0.5U
100021630	HD ³ -ES front side patch management 1U, for tool-free/frontside mounting on a HD ³ -ES carrier 1U
100021631	HD ³ -ES front side patch management 2U, for tool-free/frontside mounting on two HD ³ -ES carrier 1U
100021632	HD ³ -ES front side patch management 3U, for tool-free/frontside mounting on a HD ³ -ES carrier 3U



► Part No.	Remarks
100043729	Cable and cable splitter management for horizontal and vertical rack mounting, ideal in combination with HD ³ -ES

HD³-ES Modules

4.1.2



Part No.	Remarks	Fiber type	Number of Fibers
100022380	HD ³ -ES FanOut module 0.5U 6xLC-D OS2/PC, adaptors blue, integrated laser protector	OS2	12
100022381	HD ³ -ES FanOut module 0.5U 6xLC-D OS2/APC adaptors green, integrated laser protector	OS2	12
100022382	HD ³ -ES FanOut module 0.5U 6xLC-D OM3, adaptors aqua, integrated laser protector	OM3	12
100022383	HD ³ -ES FanOut module 0.5U 6xLC-D OM4, adaptors violet, integrated laser protector	OM4	12
100022384	HD ³ -ES FanOut module 0.5U 6xLC-D OM5, adaptors limegreen, integrated laser protector	OM5	12



Part No.	Remarks	Fiber type	Number of Fibers
100022385	HD ³ -ES FanOut module 1U 12xLC-D OS2/PC, adaptors blue, integrated laser protector	OS2	24
100022386	HD ³ -ES FanOut module 1U 12xLC-D OS2/APC, adaptors green, integrated laser protector	OS2	24
100022387	HD ³ -ES FanOut module 1U 12xLC-D OM3, adaptors aqua, integrated laser protector	OM3	24
100022388	HD ³ -ES FanOut module 1U 12xLC-D OM4, adaptors violet, integrated laser protector	OM4	24
100022389	HD ³ -ES FanOut module 1U 12xLC-D OM5, adaptors limegreen, integrated laser protector	OM5	24



Part No.	Remarks
100022374	HD ³ -ES patch module 0.5U, 6x MPO/MTP, adaptors black

4.1.2



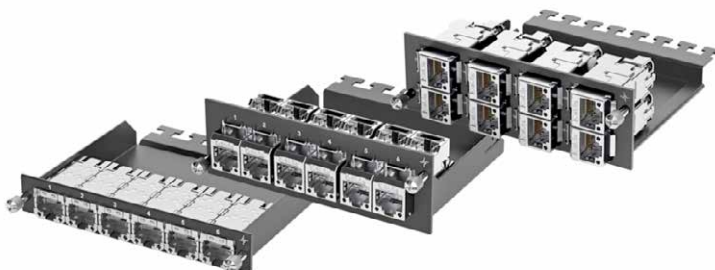
Part No.	Remarks
----------	---------

100022364	HD ³ -ES patch module 0.5U, 6x LC-D OS2/PC, adaptors blue, integrated laser protector
100022365	HD ³ -ES patch module 0.5U, 6x LC-D OS2/APC, adaptors green, integrated laser protector
100022366	HD ³ -ES patch module 0.5U, 6x LC-D OM3, adaptors aqua, integrated laser protector
100022367	HD ³ -ES patch module 0.5U, 6x LC-D OM4, adaptors violet, integrated laser protector
100022368	HD ³ -ES patch module 0.5U, 6x LC-D OM5, adaptors limegreen, integrated laser protector



Part No.	Remarks
----------	---------

100022369	HD ³ -ES patch module 1U, 12x LC-D OS2/PC, adaptors blue, integrated laser protector
100022370	HD ³ -ES patch module 1U, 12x LC-D OS2/APC, adaptors green, integrated laser protector
100022371	HD ³ -ES patch module 1U, 12x LC-D OM3, adaptors aqua, integrated laser protector
100022372	HD ³ -ES patch module 1U, 12x LC-D OM4, adaptors violet, integrated laser protector
100022373	HD ³ -ES patch module 1U, 12x LC-D OM5, adaptors limegreen, integrated laser protector



Part No.	Remarks
----------	---------

100021643	HD ³ -ES RJ45 module 0.5U for 6x STX, accepts 6x Telegärtner STX modules
100021644	HD ³ -ES RJ45 module 1U for 6x AMJ.S/-SLU-Cat.8.1
100021645	HD ³ -ES RJ45 module 1U for 8x AMJ.S/-SLU-Cat.8.1



► Part No.	Remarks	Fiber pigtails	Number of fibers
100022375	HD³-ES splice module 0.5U, 6xLC-D OS2/PC, adaptors blue, integrated laser protector, pigtails 12x OS2/PC preinstalled	12x OS2/9/125	12
100022376	HD³-ES splice module 0.5U, 6xLC-D OS2/APC, adaptors green, integrated laser protector, pigtails 12x OS2/APC preinstalled	12x OS2/9/125	12
100022377	HD³-ES splice module 0.5U, 6xLC-D OM3, adaptors aqua, integrated laser protector, pigtails 12x OM3 preinstalled	12x OM3/50/125	12
100022378	HD³-ES splice module 0.5U, 6xLC-D OM4, adaptors violet, integrated laser protector, pigtails 12x OM4 preinstalled	12x OM4/50/125	12
100022379	HD³-ES splice module 0.5U, 6xLC-D OM5, adaptors limegreen, integrated laser protector, pigtails 12x OM5 preinstalled	12x OM5/50/125	12

► New and customized modules

Patch and splice modules also available with MDC adaptors

Patch and splice modules also available with E2000/C adaptors

Customized solutions on demand

3U/7PU

4.2

3U/7PU Empty Housing

4.2.1

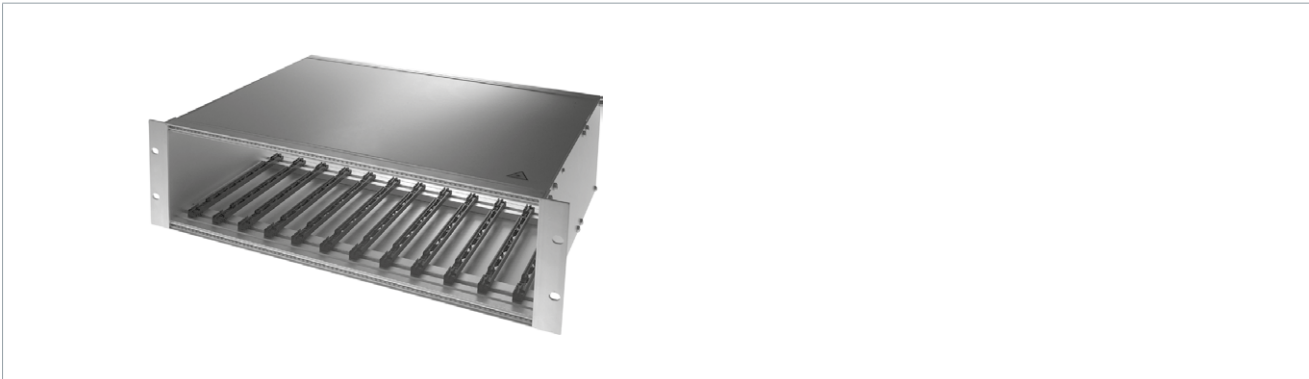


► Part No.	Description	Remarks	Colour
100021883	19" FO Module Carrier 1U for FanOut Modules	Accepts up to 3x FO modules 3U/7PU	Black RAL 9005

4.2.1

4 19" MIX

4.2.1 3U/7PU Empty Housing



Part No.	Description	Remarks	Colour
100022161	19" FO Module Carrier 3U/84PU	Accepts up to 12x FO Modules 3U/7PU	Aluminium anodised



Part No.	Short name	Remarks	Colour
100022158	19" Module carrier with flange 3U/48PU	Accepts up to 12x FO Modules 3U/7PU	Aluminium anodised

4.2.2 3U/7PU Modules



Part No.	Description	PU	Number of adaptors	Adaptors	Fiber pigtails	Remarks
100022606	Housing incl. adaptors, splice cassette type Telekom, pigtails	7	6	SC Duplex, ceramic sleeve, plastic housing	12x9/125, OS2, 2m, SC	Coloured, stripped for splicing
100022602	Housing incl. adaptors, splice cassette type Telekom, pigtails	7	6	SC Duplex, ceramic sleeve, plastic housing	12x50/125, OM2, 2m, SC	Coloured, stripped for splicing
100022614	Housing incl. adaptors, splice cassette type Telekom, pigtails	7	6	SC Duplex, ceramic sleeve, plastic housing	12x50/125, OM3, 2m, SC	Coloured, stripped for splicing

Part No.	Description	PU	Number of adaptors	Adaptors	Fiber pigtails	Remarks
100022610	Housing incl. adaptors, splice cassette type Telekom, pigtails	7	6	SC Duplex, ceramic sleeve, plastic housing	12x50/125, OM4, 2m, SC	Coloured, stripped for splicing
100022607	Housing incl. adaptors, splice cassette type Telekom, pigtails	7	6	LC Duplex, ceramic sleeve, plastic housing	12x9/125, OS2, 2m, LC	Coloured, stripped for splicing
100022603	Housing incl. adaptors, splice cassette type Telekom, pigtails	7	6	LC Duplex, ceramic sleeve, plastic housing	12x50/125, OM2, 2m, LC	Coloured, stripped for splicing
100022615	Housing incl. adaptors, splice cassette type Telekom, pigtails	7	6	LC Duplex, ceramic sleeve, plastic housing	12x50/125 OM3, 2m, LC	Coloured, stripped for splicing
100022611	Housing incl. adaptors, splice cassette type Telekom, pigtails	7	6	LC Duplex, ceramic sleeve, plastic housing	12x50/125, OM4, 2m, LC	Coloured, stripped for splicing



Part No.	Description	Remarks	Colour
100022411	3U/7PU Patch Module	Comes with 4 MPO/MTP® adaptors	Black



Part No.	Description	Fiber type	Adaptors	Number of adaptors	Plug design	Housing colour
100022394	MPO/MTP® FanOut Module	E9/125 OS2	SC Duplex	6	Side 1: 1x MPO PC; Side 2: 12x SC-D	MPO APC: green APC: green
100022393	MPO/MTP® FanOut Module	E9/125 OS2	SC Duplex	6	Side 1: 1x MPO PC; Side 2: 12x SC-D	MPO APC: green; SC PC: blue
100022392	MPO/MTP® FanOut Module	G50/125 OM3	SC Duplex	6	Side 1: 1x MPO PC Side 2: 12x SC PC	MPO PC: aqua; SC PC: aqua
100022397	MPO/MTP® FanOut Module	G50/125 OM4	SC Duplex	6	Side 1: 1x MPO PC Side 2: 12x SC PC	MPO PC: black; SC PC: violet
100022396	MPO/MTP® FanOut Module	G50/125 OM5	SC Duplex	6	Side 1: 1x MPO PC; Side 2: 12x SC PC	MPO PC: lime green; SC PC: lime green

4.2.2



Part No.	Description	Fiber type	Adaptors	Number of adaptors	Plug design	Housing colour
100022402	MPO/MTP® FanOut Module	E9/125 OS2	LC Duplex	6	Side 1: 1x MPO PC Side 2: 12x LC PC	MPO APC: green; LC/APC: green
100022399	MPO/MTP® FanOut Module	E9/125 OS2	LC Duplex	6	Side 1: 1x MPO PC Side 2: 12x LC PC	MPO APC: green; LC PC: blue
100022398	MPO/MTP® FanOut Module	G50/125 OM3	LC Duplex	6	Side 1: 1x MPO PC Side 2: 12x LC PC	MPO PC: aqua; LC PC: aqua
100022406	MPO/MTP® FanOut Module	G50/125 OM4	LC Duplex	6	Side 1: 1x MPO PC Side 2: 12x LC PC	MPO PC: black; LC PC: violet



Part No.	Description	Fiber type	Adaptors	Number of adaptors	Plug design	Housing colour
100022410	MPO/MTP® FanOut Module	E9/125 OS2	LC Quad	6	Side 1: 2x MPO APC Side 2: 24x LC APC	MPO APC: green; LC/APC: green
100022409	MPO/MTP® FanOut Module	E9/125 OS2	LC Quad	6	Side 1: 2x MPO APC Side 2: 24x LC APC	MPO APC: green; LC PC: blue
100022408	MPO/MTP® FanOut Module	G50/125 OM3	LC Quad	6	Side 1: 2x MPO APC Side 2: 24x LC APC	MPO PC: aqua; LC PC: aqua
100022416	MPO/MTP® FanOut Module	G50/125 OM4	LC Quad	6	Side 1: 1x MPO PC Side 2: 12x LC PC	MPO PC: black; LC PC: violet



► Part No.	Short name	Type	Remarks	Colour
100006985	3U/7PU Module Carrier	Comes with 6x AMJ-S Modules Cat.6 _A T568A	Suitable for RJ45/11/12 plugs	Metal



► Part No.	Short name	Type	Remarks	Colour
100006986	3U/7PU Module Carrier	Comes with 6x AMJ-SL Modules Cat.6 _A T568A	Suitable for RJ45/11/12 plugs	Metal

FTB

4.3

FTB Module Carriers & Accessories

4.3.1



► Part No.	Description	Remarks	Colour
100021866	19" FO Module Carrier 1U for 10x 4LC modules	Accepts up to 10x 4LC modules	Light grey 7035

4.3.1

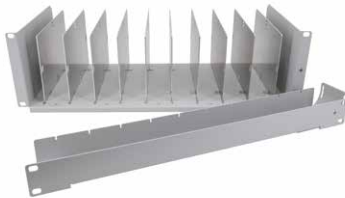
4 19" MIX

4.3.1

FTB Module Carriers & Accessories



Part No.	Description	Remarks	Colour
100022168	19" FO Module Carrier 4U for 60x 4LC modules	Accepts up to 10x 4LC modules	Light grey 7035



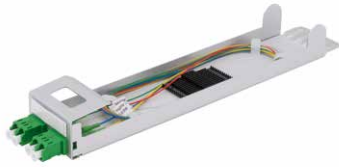
Part No.	Description	Remarks	Colour
100022160	FTB Divided storage panel 3U incl. cable management 1U	FTB Divided storage panel to store excess lengths vertically including cable management 1U	Light grey 7035



Part No.	Description	Colour
100021867	FTB cable management 19" 1U	Light grey 7035



Part No.	Description	Number of rows x panel piercings
100022154	FTB Link Panel 2U for 60x feed-through couplings	4 x 15



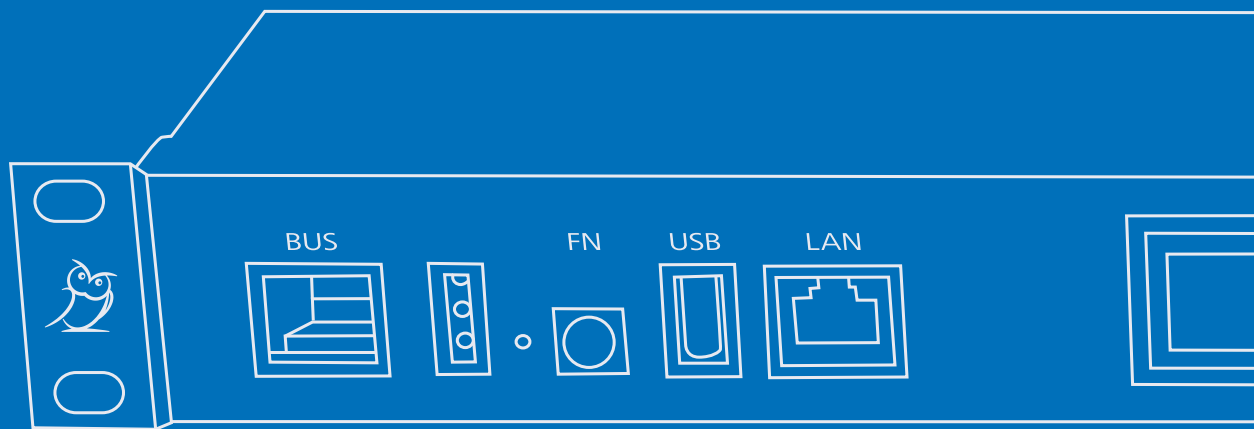
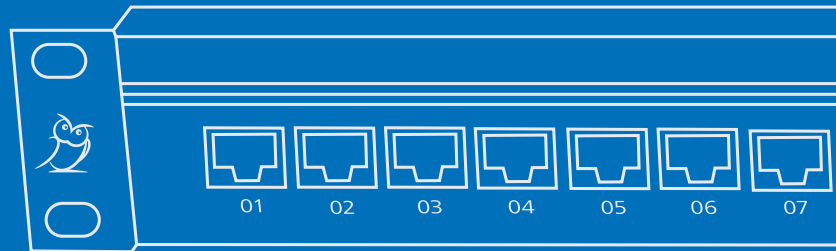
Part No.	Description	Remarks	Number of adaptors	Adaptors	Colour	Fiber pigtails
100022318	FTB 4LC with 2xLC/APC-Duplex green	Pigtails coloured, stripped for splicing	2	LC Duplex, ceramic sleeve, plastic housing	Green	4x 9/125, OS2, 1.2 m, LC



Part No.	Description
100021444	FTB blank module for FTB Module Carrier 19"

5

OWL





KEEP TRACK OF YOUR NETWORK

The dynamics of modern companies leads to frequent moves, adds and changes in the IT landscape. In theory, the daily job of designing, managing and documenting IT networks sounds very simple. In daily life, however, there is not enough personnel, not enough time or no budget allocated to it.

„What has changed?“

Inadvertent or unguided patching changes the network access and causes security risks.

„Which connections have to be changed?“

Moves of employees mean connections have to be re-patched in time.

„How much effort does documentation really take?“

Cable IDs have to be put into tables and data bases in time to avoid infrastructure errors caused by outdated documentation.

„Where are new patch connections needed?“

Due to the missing or outdated markings, it is difficult to find the way through the many patches.





- Complies with the standards specifications for documentation (please see EN 50174-1)
- Allows gradually upgrading the network with AIM thanks to matched system components
- Completes the compliance requirements of ISO/IEC 11801-1
- Easy scheduling of moves, adds and changes
- Real-time documentation
- Explicit guidance for all patch jobs

The solution for smart network people: Telegärtner's patch management system Owl

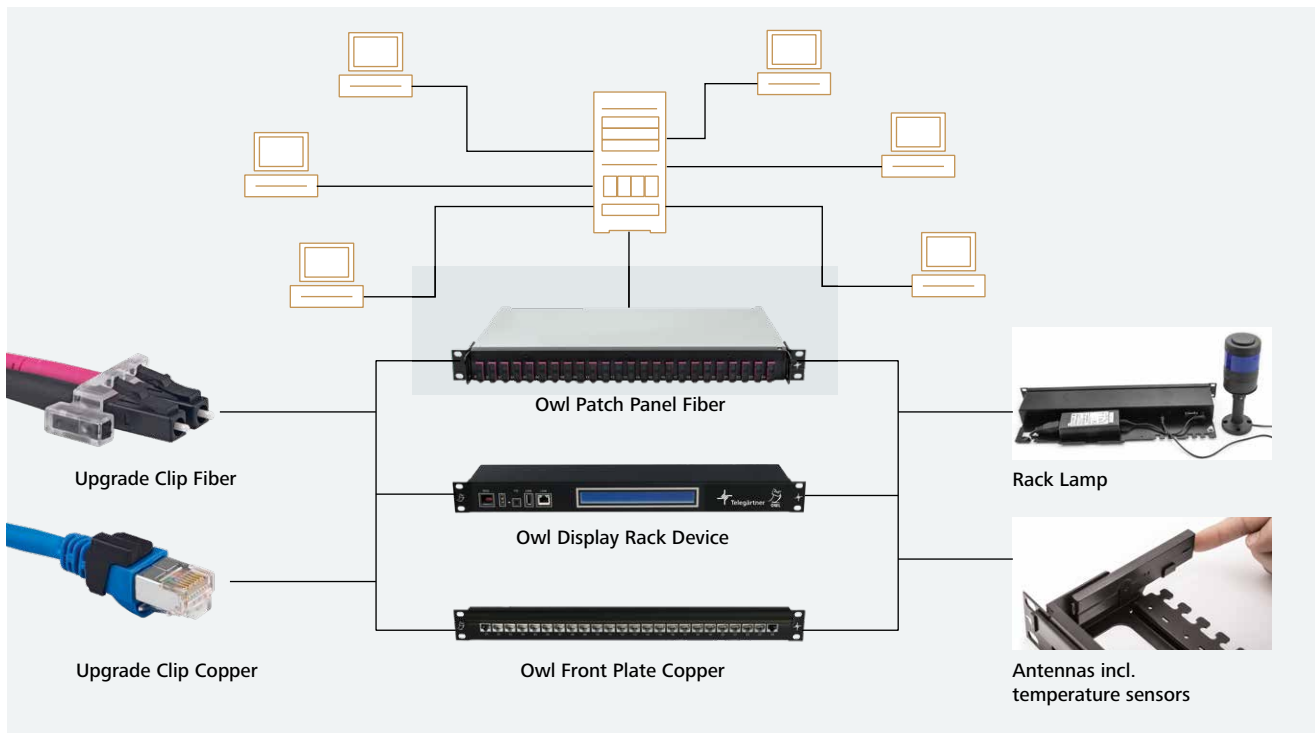
The patch management system Owl is the innovative solution to schedule and document changes of the IT cabling infrastructure. Owl's components are the ideal basis for a working Automated Infrastructure Management (AIM). In many cases, legacy systems can be easily upgraded with a small investment and a quick return on investment. Network operators benefit from a better overview over their already installed network and from a more reliable planning of future cabling.

Easy handling thanks to flexible software

Owl supports network designers and operators with the daily moves, adds and changes, identifies patch jobs on-site, updates the documentation in real-time and reports the jobs done.

And as very often IT networks aren't limited to one location, things are getting even worse. To make sure the entire network stays up and running and to provide and increase the network's flexibility, network operators need a solution to monitor and manage all the changes on a physical level.

As a leading manufacturer of structured cabling solutions, Telegärtner has taken care of this topic and has developed a solution for network designers and operator to design, adapt and document easily their IT networks.



Easy installation thanks to standard components

Owl is based on standard cabling components. The Owl antennas fit on appropriate 19" patch panels and the RFID transponders can be easily and quickly retrofitted on patch cords.



- Standard networking components which have proven their reliability millions of times
- RFID transponders for contactless and reliable patching detection
- Temperature sensors monitor the incoming air
- Signal lights for quickly locating changes or patch jobs

System components

Part No.	Item	Short name	Remarks
100000341	Owl Display Rack Device	Owl DRD 0D0X 000	Controller with display
100017124	Owl Bus Cable	Owl BCA 0G0A 025	25 m on reel, 6-wire
100007377	Owl Bus Connector	Owl BCO 2G0D 000	Pack of 10
100025934	Owl Bus Crimping Tool	Owl BCT 0A0A 000	Tool for bus connector incl. die
100007378	Owl Bus Termination	Owl BTM 0G0A 000	Pack of 10
100000345	Owl System Rack Lamp	Owl SRL 0E0A 002	Signal light for server cabinet

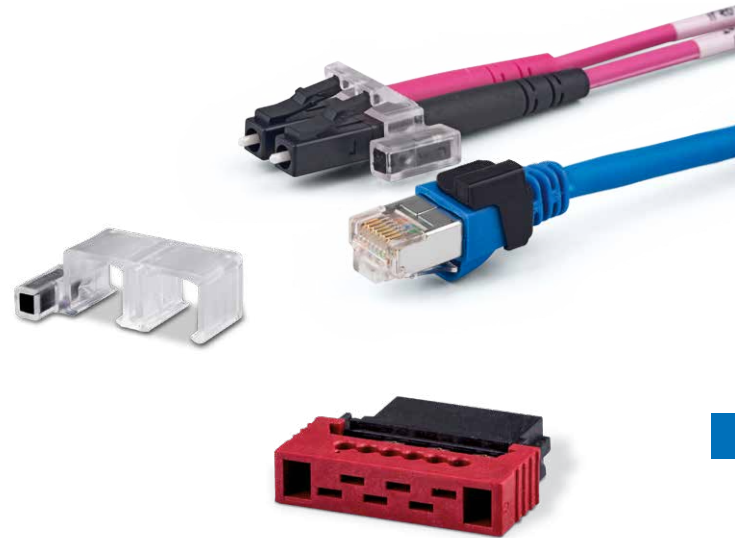
Connecting active equipment

	Part No.	Item	Short name	Remarks
Copper	100017132	Owl Sensor Cord Copper, 1 m	Owl SCC 3B1C 010	Sensor cable, RJ45
	100017133	Owl Sensor Cord Copper, 2 m	Owl SCC 3B1C 020	Sensor cable, RJ45
	100017134	Owl Sensor Cord Copper, 3 m	Owl SCC 3B1C 030	Sensor cable, RJ45
Fiber	100017135	Owl Sensor Cord Fiber, 1 m	Owl SCF 4M1C 010	Sensor cable, LC Duplex
	100017136	Owl Sensor Cord Fiber, 2 m	Owl SCF 4M1C 020	Sensor cable, LC Duplex
	100017137	Owl Sensor Cord Fiber, 3 m	Owl SCF 4M1C 030	Sensor cable, LC Duplex

Components for new installations

	Part No.	Item	Short name	Remarks
Copper	100000343	Owl Front Plate Copper AMJ-SL	Owl FPC 0X1C 124	Module carrier for 24 AMJ-S modules, incl. antenna and electronics
	100000344	Owl Front Plate Copper AMJ-S, AMJ Modul K, UMJ	Owl FPC 0X2B 124	Module carrier for 24 modules, incl. antenna and electronics
	100017125	Owl Patch Cord Copper, 1 m	Owl PCC 4B5C 010	Copper patch cord Cat.6 _A with RFID transponder
	100017127	Owl Patch Cord Copper, 2 m	Owl PCC 4B5C 020	Copper patch cord Cat.6 _A with RFID transponder
	100017128	Owl Patch Cord Copper, 3 m	Owl PCC 4B5C 030	Copper patch cord Cat.6 _A with RFID transponder
	100017130	Owl Patch Cord Copper, 5 m	Owl PCC 4B5C 050	Copper patch cord Cat.6 _A with RFID transponder
Fiber	100000347	Owl Front Plate Fiber 24 LC Duplex	Owl FPF 0X1B 124	Module carrier for 24 LC Duplex adaptors, incl. antenna and electronics
	100000346	Owl Patch Panel Fiber 24 SC Duplex	Owl PPF 0X2C 124	Patch panel incl. 24 SC Duplex adaptors, antenna and electronics





The ideal solution for new installations. And for upgrades.

Whether you want to install new cabling or upgrade your legacy infrastructure: With Owl you can do both. Legacy networks can be upgraded economically step by step to AIM – ideally without network interruption.

How frequently is every patch cord replugged?

The plugs on patch cords have a limited lifetime and expectation. To rule out failures due to wear in advance, the number of pluggings for every single patch cord can be detected and recorded. An obvious contribution to quality enhancement.

Do fans have to run forever?

Temperature sensors accommodated in the antennas can be evaluated and linked with threshold values. Fans are then only activated when cooling is necessary. Unlike conventional, external threshold value switches, temperature curves of the service cabinet can be generated and occurrences can be saved. A contribution to cost and material reduction.

When is which area upgraded?

The decision when and where to upgrade is made according to economical considerations and technical necessity. The Owl upgrade option offers ideal support here.

Is the property of every component still known after years?

During the long lifetime of networks, further developments lead to different qualities of installation cables (FO and copper) being used. Only the combination of the ideal fiber and cable qualities of installation cables and patch cords guarantee optimum transmission properties. The stored data in the transponders can be evaluated for plausibility. So-called impact points cause repeated requesting of data packets and destroy the transmission quality. The data of the Owl components stored on the transponder contribute towards keeping the networks constantly at „high speed“.



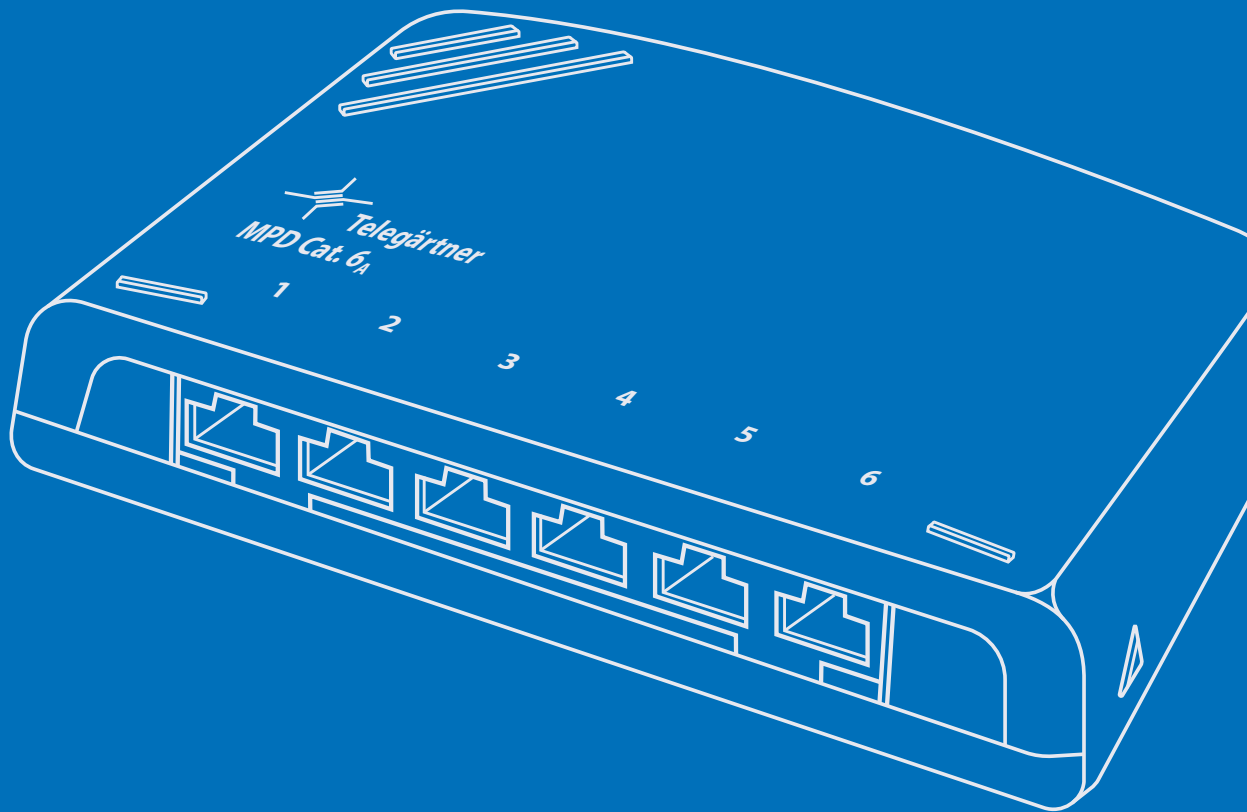
Any questions regarding Owl?

We are looking forward to your request. Send us an e-mail to owlsupport@telegaertner.com or call us at telephone number +49 7157 125-0



6

MINI DISTRIBUTOR MPD



MINI-DISTRIBUTOR MPD



6.1 Mini Distributor MPD.....79

MINI-DISTRIBUTOR MPD 6

Mini Distributor Cat.6A	
Standards	
Connectors	IEC 60603-7
Mechanical Characteristics	
Insertion force	≤ 30 N
Durability (mating cycles)	≥ 750
Material: housing mini distributor	ABS
Material: cover (shielded type)	Stainless sheet steel
Material: insulators	PBT
Material: PCB	FR4
Material: PCB finish	Tin plated
Material: contact spring	Spring steel
Material: contact IDC termination	CuZn
Material: IDC termination finish	Tin plated
LSA Plus: Cu conductor diameter	Solid 0.41 - 0.64 mm AWG 26/1 - AWG 22/1
LSA Plus: Wire diameter	0.7 - 1.6 mm
Environmental Requirements	
Ambient temperature	-40 °C to +70 °C
Electrical Characteristics	
Contact resistance	≤ 20 mΩ
Insulation resistance	≥ 500 MΩ
Voltage proof: contact-contact	≥ 1000 V, DC
Voltage proof: contact-shield	≥ 1500 V, DC
Current carrying capacity at 50 °C	1A
PoE+ acc to IEEE 802.3at	Adequate for Power over Ethernet+
4PPoE acc to IEEE 802.3bt	Adequate for 4 Pair Power over Ethernet
Transmission Characteristics	
Category 6A (component) for products Cat.6A	ISO/IEC 11801-1, EN 50173-1
Class E _A (permanent link) for products Cat.6A, Cat.6A, Class E _A 500	ISO/IEC 11801-1, EN 50173-1
Class E _A (channel) for products Cat.6A, Cat.6A, Class E _A 500	ISO/IEC 11801-1, EN 50173-1
Gigabit Ethernet acc. to IEEE 802.3	Fulfilled
10 Gigabit Ethernet acc. to IEEE 802.3an	Fulfilled

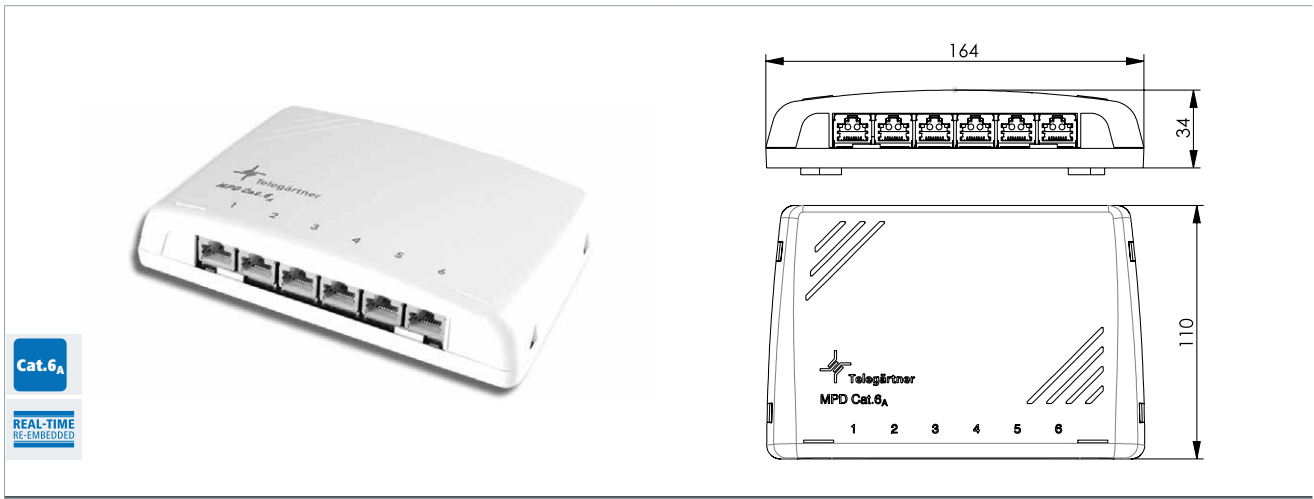
Mini Distributor MPD

6.1

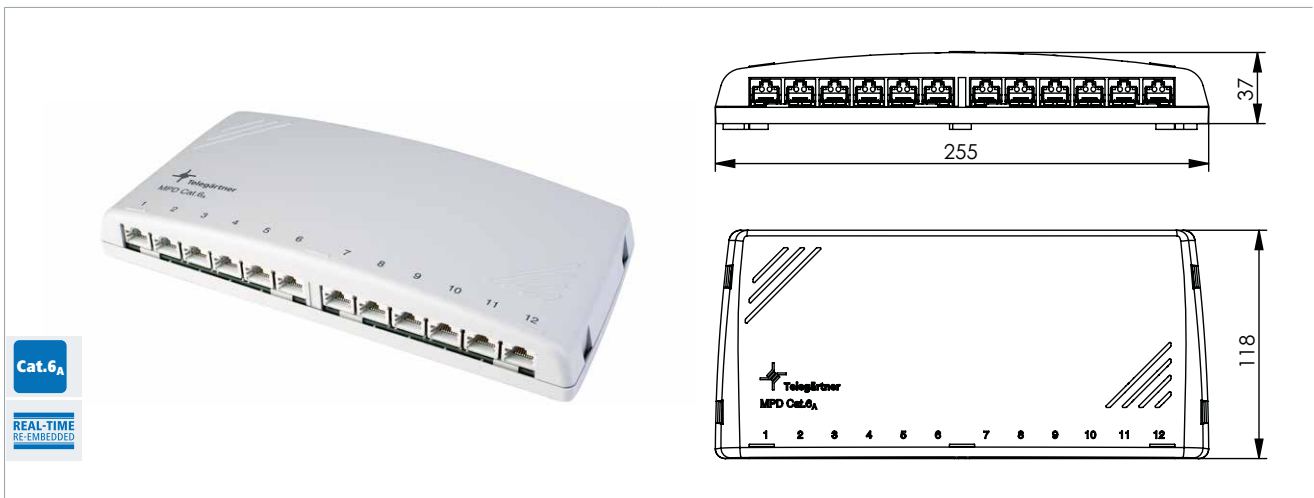
- Mini distributor MPD6, MPD8, MPD12 with 6, 8, 12, 16 or 24 RJ45 jacks on a common PCB
- MPD8 AMJ/UMJ and MPD12 AMJ/UMJ mini-distributors for 8 or 12 AM-S/AMJ/UMJ modules and couplers
- Printed circuit board mounted horizontally, shielded versions are provided with an internal metal shield housing. In addition, a bonding cable (with M4 screw) can be attached to the printed circuit board
- Tool-free fastening of the shielding hood (shielded version)
- Cable strain relief through enclosed cable ties without screws and special tools
- Connection of the wires via LSA plus insulation displacement contacts with color coding T568A and T568B
- 360° shield contact (shielded version) directly on the PCB by means of a clamp without additional twisting of the shielding braid
- Connection-friendly if the twisted-on distance for the connecting wires is kept to max. 13 mm
- Housing made of thermoplastic, halogen-free, with anti-slip feet
- Stainless steel shielding hood
- Modular versions 3U/7PU with 6xRJ45 and 3U/10PU with 12x RJ45, front panel anodized aluminum
- Cat.6_A & Cat.6A versions with contact overbend protection: suitable for 6-pin (RJ11/12) and 8-pin plugs (RJ45); can be used alternately in the RJ jacks without additional assembly effort

6 MINI-DISTRIBUTOR MPD

6.1 Mini Distributor MPD

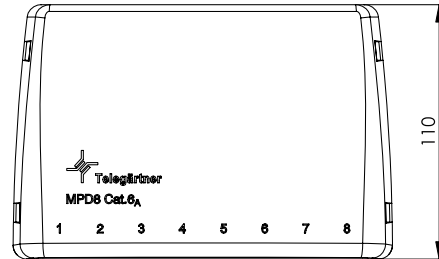
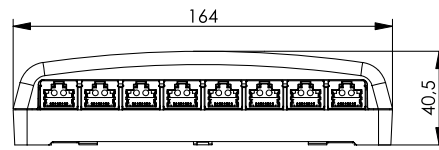


Part No.	Short name	Type	Colour
100006987	MPD6-HS K Cat.6 _A	Shielded, mounting onto mounting rail TH35 without adapter	Alpine white
100006988	MPD6-HS K Cat.6 _A	Shielded, mounting onto mounting rail TH35 without adapter	Light grey RAL 7035
100006990	MPD6-H K Cat.6 _A	Unshielded, mounting onto mounting rail TH35 without adapter, also suitable for ISDN/telephone	Light grey RAL 7035

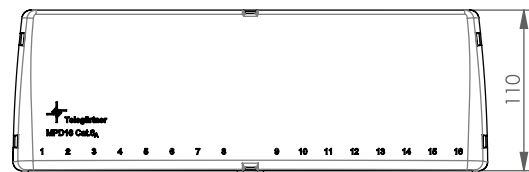
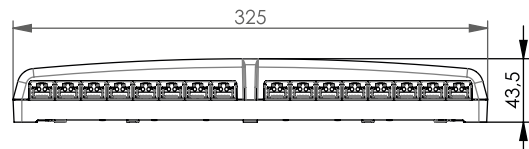


Part No.	Short name	Type	Colour
100006997	MPD12-HS K Cat.6 _A	Shielded, mounting onto mounting rail TH35 without adapter	Alpine white
100006998	MPD12-HS K Cat.6 _A	Shielded, mounting onto mounting rail TH35 without adapter	Light grey RAL 7035
100006999	MPD12-H K Cat.6 _A	Unshielded, also suitable for ISDN/telephone	Light grey RAL 7035

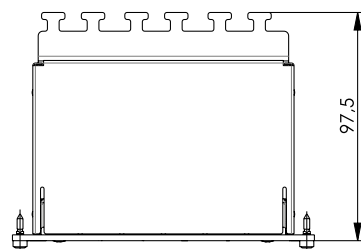
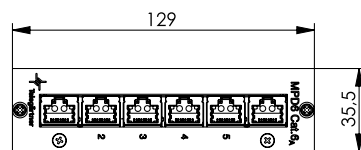
MINI-DISTRIBUTOR MPD 6

Cat.6_AREAL-TIME
RE-EMBEDDED

Part No.	Short name	Type	Colour
100006984	MPD8-HS K Cat.6 _A	Shielded, mounting onto mounting rail TH35 without adapter	Alpine white

Cat.6_A

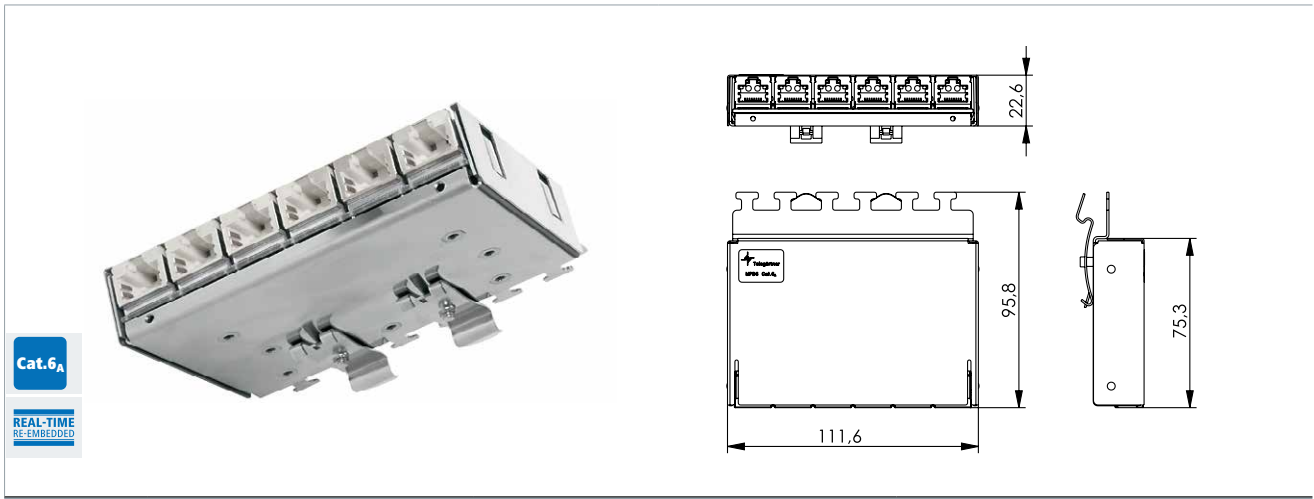
Part No.	Short name	Type	Colour
100007004	MPD16 K Cat.6 _A	Shielded, mounting onto mounting rail TH35 without adapter	Alpine white

Cat.6_AREAL-TIME
RE-EMBEDDED

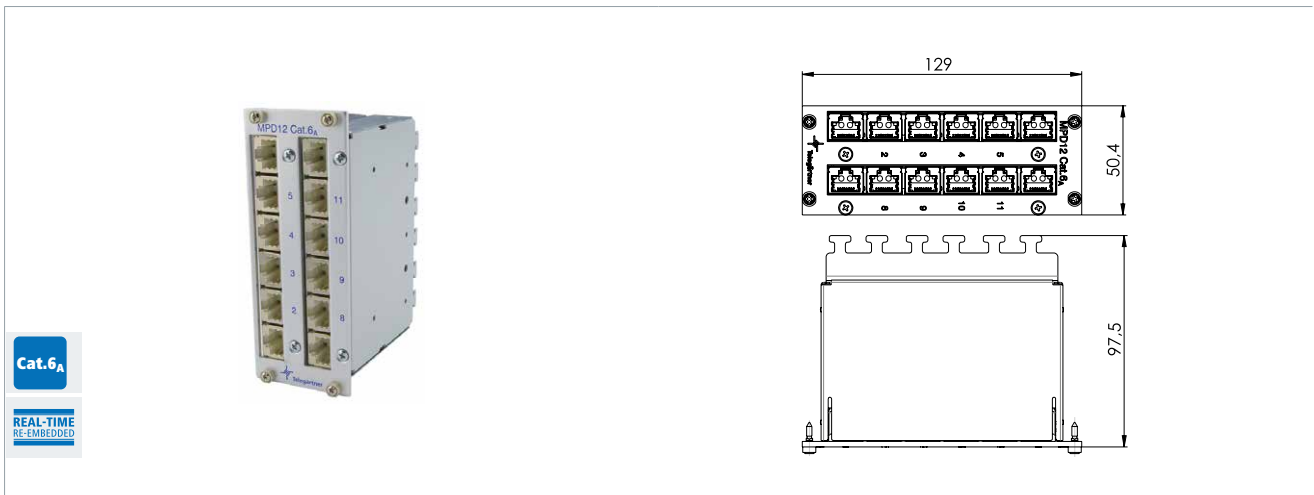
Part No.	Short name	Type	Colour
100006991	MPD6-HS K Cat.6 _A 3U/7PU	Shielded, mounting onto mounting rail TH35 without adapter, 6x RJ45, 3U/7PU	Front panel anodized aluminium

6 MINI-DISTRIBUTOR MPD

6.1 Mini Distributor MPD

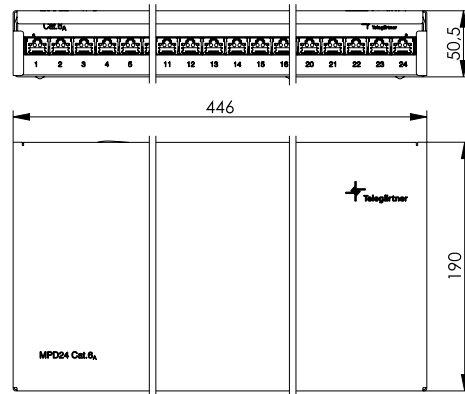


Part No.	Short name	Type	Remarks
100006992	MPD6-HS K Cat.6 _A	6-port mini distributor metal incl. 2 mounting rail adaptors	Suitable for RJ45/11/12 plugs, mounting rail TH35



Part No.	Short name	Type	Colour
100007000	MPD12-HS K Cat.6 _A 3U/10PU	Shielded, mounting onto mounting rail TH35 without adapter, 12x RJ45, 3U/10PU	Front panel anodized aluminium
100007001	MPD12-H K Cat.6 _A 3U/10PU	Unshielded, mounting onto mounting rail TH35 without adapter, also suitable for ISDN/telephone	Front panel anodized aluminium

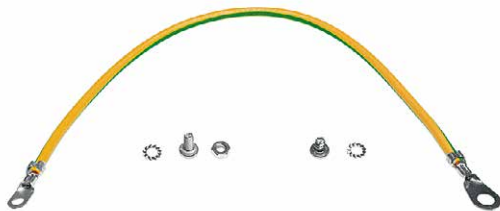
MINI-DISTRIBUTOR MPD 6



Cat.6A

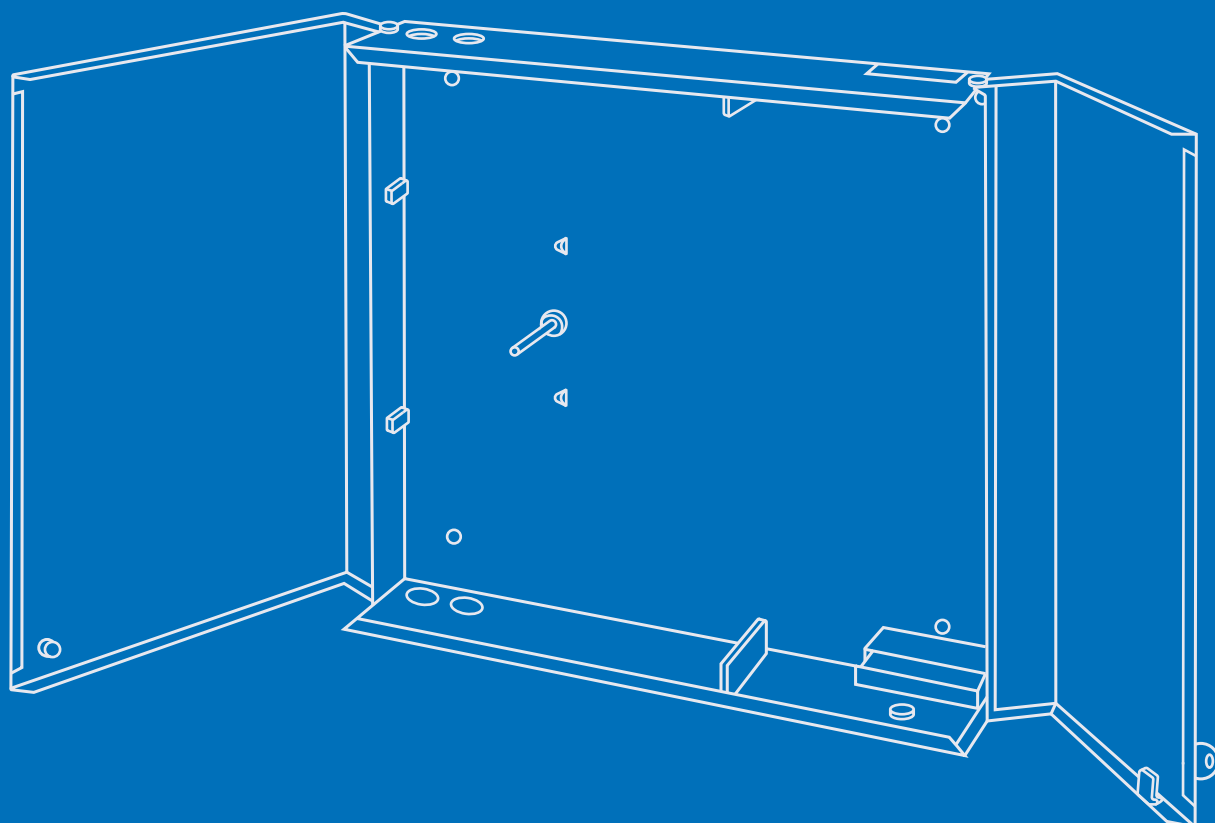
REAL-TIME
RE-EMBEDDED

Part No.	Short name	Type	Colour
100007019	Mini Distributor MPD24-HS K 6A	Shielded, including cable management	Pure white RAL 9010



Part No.	Short name	Type
100010695	Bonding kit	L = 0.3 m, for MPD/MPP

FO WALL DISTRIBUTORS



FO WALL DISTRIBUTORS



7.1	FO Wall Distributor.....	88
7.2	FO Wall Splice Box.....	88
7.3	FO Combi Wall Box.....	89
7.4	FO Modular Wall Distributor.....	89
7.5	FO Mini Wall Distributor.....	90
7.6	FO Compact Splice Box.....	90
7.7	MPD24 FO.....	91
7.8	ACD.....	91
7.9	ODB 54 with Assembled Adaptors and Pigtails.....	92
7.10	ODB 54 - TICNET.....	93
7.11	Accessories for ODB 54.....	93
7.12	FO Splice Box IP66.....	95
7.13	Accessories for FO Splice Box IP66.....	96

FO WALL DISTRIBUTORS 7

Fiber optic wall boxes and splice boxes by Telegärtner offer a maximum amount of ports using a minimum of space. Based on Telegärtner's decades of experience, they offer easy and reliable patching even in high density applications.

	FO Wall Distributor	FO Wall Splice Box	FO Combi Wall Box	FO Modular Wall Distributor
Mechanical Characteristics				
Part-No.	100022176	100022177	100022179	100022291
Housing	Sheet steel 1 mm powder coated			
Colour	RAL 7035			
Distribution plates	Aluminium sheet			
Cable glands	4x M25	4x M25	no	4x M25
Protection class acc. to IEC 60529	IP30	IP20	IP20	IP30
Dimensions (WxHxD)	440 x 440 x 95 mm	440 x 440 x 95 mm	440 x 440 x 85 mm	390 x 260 x 100 mm
Panel piercings	Empty housing: can be equipped with ST, SC, SC-D, LC-D, E2000			
Number of splice cassettes	Max. 8x	Max. 16x	Max. 24x cassettes or 4x cassettes and 2x panels	Max. 5x
Lockable	Yes	Yes	Yes	Yes

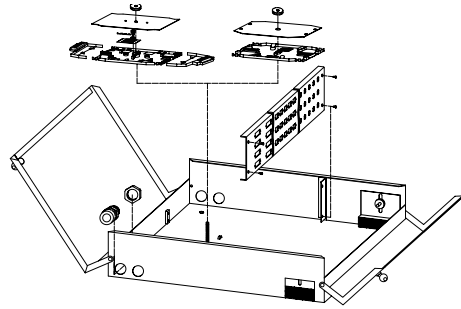
	FO Mini Wall Distributor	FO Compact Splice Box	ACD	Wall Distributor ODB 54
Mechanical Characteristics				
Part-No.	100022178	100022181	100033451 / 100033713	100022236
Housing	Sheet steel 1 mm powder-laminated			Polycarbonate
Colour	RAL 7035		RAL 9001	RAL 7035
Distribution plates	Aluminium sheet		-	Aluminium sheet
Cable glands	No	No	1x M25	2x M20
Protection class acc. to IEC 60529	IP30	IP30	IP20	IP54
Dimensions (WxHxD)	320 x 280 x 50 mm	265 x 150 x 55 mm	225 x 260 x 100 mm	250 x 200 x 64 mm
Panel piercings	Empty housing: can be equipped with ST, SC, SC-D, LC-D, E2000		With LC-D and E2000, more variants on request	For ST-D, SC-D, LC-D, LC-Quad, E2000
Number of splice cassettes	Max. 8x cassettes or 4x cassettes and 1x panel	Max. 4x cassettes or 1x cassette and 1x panel	Max. 3x	-
Lockable	Yes	Yes	Yes	Yes

	RDB	FO Splice Box IP66 S/S-V	FO Splice Box IP66 M/M-V	FO Distributor MPD24
Mechanical Characteristics				
Part-No.	100022322	100022194 / 100022258	100022188 / 100022259	100021508
Housing	Polycarbonate	Polystyrene		Sheet steel
Colour	RAL 7035			RAL 9001
Panels	Aluminium sheet			Sheet steel
Cable glands	2x M25, 1x M20	M20, M25	M20, M25	No
Protection acc. to IEC 60529	IP66	IP66	IP66	IP20
Dimensions (WxHxD)	400 x 300 x 153 mm	254 x 180 x 90 mm	360 x 254 x 111 mm	446 x 190 x 51 mm
Panel piercings	With 6xLC-D, more variants on request	Empty housing: can be equipped with ST, SC, SC-D, LC-D, LC-Q, E2000		For ST, SC-D, LC-D, LC-Q, E2000
Number of splice cassettes	1x, built in (24 splices)	Max. 5x cassettes or 1x cassette and 1x panel	Max. 8x cassettes or 3x cassettes and 1x panel	-
Lockable	Yes	No	No	No

7 FO WALL DISTRIBUTORS

7.1 FO Wall Distributor

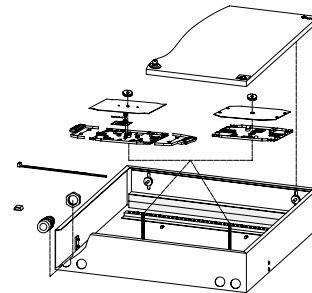
- Up to 4x incoming fiber optic cables
- Up to 8x splice cassettes
- Separately lockable doors
- Panels for different types of FO adaptors



Part No.	Description	Remarks	Dimensions
100022176	FO Wall Distributor	Housing with two separately lockable swivel doors, with 4x cable entry holes for M25 glands, 2x each on top and bottom, for storage of 8x splice cassettes maximum, additional strain relief clamps and guiding clips for fibers and cables	440 x 440 x 95 mm

7.2 FO Wall Splice Box

- Up to 4x incoming fiber optic cables
- Up to 16x splice cassettes
- Strain relief bar for outgoing fiber optic cables

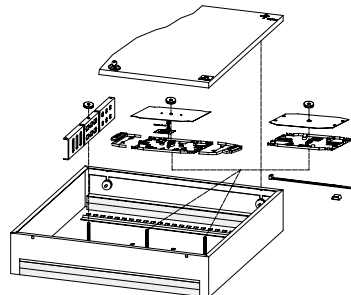


Part No.	Description	Remarks	Dimensions
100022177	FO Wall Splice Box	Housing with lockable cover, with 4x cable entry holes for M25 glands, strain relief bar for fixing by cable ties inside the housing and sealing foam strap, for storage of 16x splice cassettes maximum, additional strain relief clamps and guiding for fibers and cables	440 x 440 x 95 mm

FO Combi Wall Box

7.3

- Cable entry sealed by foam strips
- Strain relief bar with cable ties
- Accepts up to 24x splice cassettes
- Panels for different types of FO adaptors

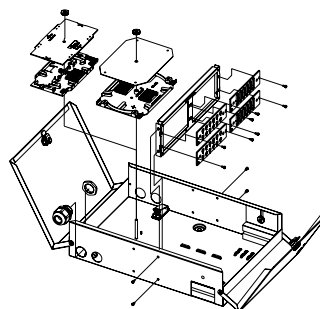


Part No.	Description	Remarks	Dimensions
100022179	FO Combi Wall Box	Housing with swivel lid, lockable, with strain relief bars inside the housing and sealing foam strips for incoming and outgoing cables, storage of 24x splice cassettes maximum, or 4x cassettes and 2x distribution plates.	440 x 440 x 85 mm

FO Modular Wall Distributor

7.4

- Accepts up to 4x 3U/7PU frontplates
- Mixed assembly of different adaptor types and fibres possible
- Allows splicing of up to 120 fibers

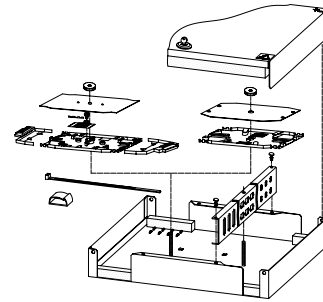


Part No.	Description	Remarks	Dimensions
100022291	FO Modular Wall Distributor	Housing with 2x swivel doors, separately lockable, each two cable entries on top/bottom for M25; max. 5x splice cassettes, for 4x 3U/7PU front plates	390 x 260 x 100 mm

7 FO WALL DISTRIBUTORS

7.5 FO Mini Wall Distributor

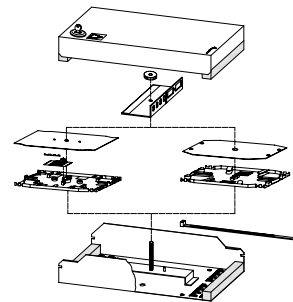
- Panels for different types of FO adaptors
- Accepts up to 4x splice cassettes and 1 panel
- Alternatively 8x splice cassettes without panels



Part No.	Description	Remarks	Dimensions
100022178	FO Mini Wall Distributor	Housing with lockable cover, with each 2x cable entry openings for incoming and outgoing cables to be fixed by cable ties, with sealing straps, for storage of 8x splice cassettes maximum, or 4x cassettes and 1x panel	320 x 280 x 50 mm

7.6 FO Compact Splice Box

- One splice cassette and one panel
- Alternatively 4x splice cassettes without panel
- With lockable cover

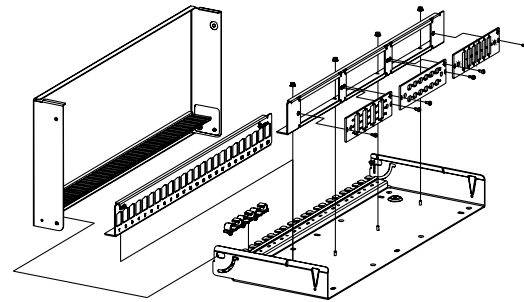


Part No.	Description	Remarks	Dimensions
100022181	FO Compact Splice Box	Housing with lockable cover, with 2x cable entry openings for incoming and outgoing cables to be fixed by cable ties, with sealing straps, for storage of 4x splice cassettes maximum or 1x cassette and 1x panel	265 x 150 x 55 mm

MPD24 FO

7.7

- Accepts up to 3x 3U/7PU frontplates
- Wall/surface mounting; housing base with wall adjustment
- Cover can be locked or removed (tool-less)



Part No.	Description	Type	Dimensions	Colour
100021508	MPD24 FO	3x 3U/7PU front plates	446 x 190 x 51 mm	Pure white RAL 9010

ACD

7.8

- Up to 2 incoming fiber optic cables
- Up to 3 splice cassettes
- Lockable door
- Panels for different types of FO adaptors
- Moveable, internal mounting level for active components



Part No.	Description	Remarks	Adaptors	Dimensions
100033451	FO Wall Distributor	Housing with lockable door and one internal "assembling level", 3x cable entry holes for 2x M25 glands + 1x variable feedthrough, for storage of 3x splice cassettes maximum, patch level for max. 6x LC-D	2x LC-D	225 x 260 x 100 mm
100033713	FO Wall Distributor	Housing with lockable door and one internal "assembling level", 3x cable entry holes for 2x M25 glands + 1x variable feedthrough, for storage of 3x splice cassettes maximum, patch level for max. 6x LC-D	3x LC-D	225 x 260 x 100 mm
100043165	FO Wall Distributor	Housing with lockable door and one internal "assembling level", 3x cable entry holes for 2x M25 glands + 1x variable feedthrough, for storage of 3x splice cassettes maximum, patch level for max. 6x LC-D	6x LC-D	225 x 260 x 100 mm
100043154	FO Wall Distributor	Housing with lockable door and one internal "assembling level", 3x cable entry holes for 2x M25 glands + 1x variable feedthrough, for storage of 3x splice cassettes maximum, patch level for max. 6x E2000	4x E2000	225 x 260 x 100 mm

7.9 ODB 54 with Assembled adaptors and pigtails

- Protection IP54
- Material: PC, IK04
- Locking with 2 snap-fits and optional lead seal
- Slack storage
- Please order splice holder separately
- Possibility to attach optical function modules
- Mounting of gas- or waterblocker for blow fiber system (optional)
- With flexible cable sealing for up to 24 patch cords
Ø 1.8 - 2.8 mm



Part No.	Description	Adaptors	Fiber pigtails	Dimensions
100022236	ODB 54 housing	none	-	250 x 200 x 64 mm
100022249	ODB 54 housing	E2000/APC adaptor, singlemode	12x 9/125 OS2	250 x 200 x 64 mm
100022241	ODB 54 housing	LC duplex adaptor, multimode	12x 50/125 OM2	250 x 200 x 64 mm
100022242	ODB 54 housing	LC duplex adaptor, multimode	12x 50/125 OM3	250 x 200 x 64 mm
100022332	ODB 54 housing	LC duplex adaptor, multimode	12x 50/125 OM4	250 x 200 x 64 mm
100022243	ODB 54 housing	LC duplex adaptor, singlemode	12x 9/125 OS2	250 x 200 x 64 mm
100022333	ODB 54 housing	LC quad adaptor, multimode	24x 50/125 OM4	250 x 200 x 64 mm
100022244	ODB 54 housing	LC/APC duplex adaptor, singlemode	12x 9/125 OS2	250 x 200 x 64 mm
100022237	ODB 54 housing	SC duplex adaptor, multimode	12x 50/125 OM2	250 x 200 x 64 mm
100022238	ODB 54 housing	SC duplex adaptor, multimode	12x 50/125 OM3	250 x 200 x 64 mm
100022331	ODB 54 housing	SC duplex adaptor, multimode	12x 50/125 OM4	250 x 200 x 64 mm
100022239	ODB 54 housing	SC duplex adaptor, singlemode	12x 9/125 OS2	250 x 200 x 64 mm
100022240	ODB 54 housing	SC /APC duplex adaptor, singlemode	12x 9/125 OS2	250 x 200 x 64 mm
100022245	ODB 54 housing	ST duplex adaptor, multimode	12x 50/125 OM2	250 x 200 x 64 mm
100022246	ODB 54 housing	ST duplex adaptor, multimode	12x 50/125 OM3	250 x 200 x 64 mm
100022272	ODB 54 housing	ST duplex adaptor, multimode	12x 50/125 OM4	250 x 200 x 64 mm
100022247	ODB 54 housing	ST duplex adaptor, singlemode	12x 9/125 OS2	250 x 200 x 64 mm

ODB 54 - TICNET

7.10

- Protection IP54
- Material: PC, IK04
- Locking with 2 snap-fits and optional lead seal
- Slack storage
- Please order splice holder separately
- Possibility to attach optical function modules
- Mounting of gas- or waterblocker for blow fiber system (optional)
- With flexible cable sealing for up to 24 patch cords
Ø 1.8 - 2.8 mm



► Part No.	Description	Remarks
100022283	Housing ODB54 - TICNET	for max. 12 E2000 adaptors



► Part No.	Description	Remarks
100022282	Housing ODB54 - TICNET	For max. 6 LC duplex adaptors
100022281	Housing ODB54 - TICNET	For max. 6 SC duplex / LC quad / ST duplex adaptors

Accessories for ODB 54

7.11



► Part No.	Description	Remarks
100021328	Cable gland M20 for cable dia. 5 - 9 mm	Polyamide PA6, grey
100021353	C cable gland M20 for cable dia. 7 - 13.5 mm	Polyamide PA6, grey

7.11

7.11 Accessories for ODB 54



Part No.	Description
100026366	ODB 54 add-on-kit cable tie for gas/water blocker



Part No.	Description
100021314	ODB 54 add-on-kit cellular rubber patch cable entry



Part No.	Description	Remarks
100021116	Splice holder for 12 crimp splice protectors	System Telekom



Part No.	Description	Remarks
100021119	Splice holder for 6 shrink splices	For shrink splice protector Ø 3 mm

FO Splice Box IP66

7.12

- Water- and dust-proof housing
- Protection IP66
- Available in 2 different sizes



Part No.	Description	Remarks	Housing	Dimensions
100022188	FO Splice Box IP66 M	Housing for storage of max. 8x splice cassettes Telekom or 3x splice cassettes Telekom and 1x panel	Thermoplastic, non halogen, flame retardant, light grey RAL 7035	360 x 254 x 111 mm
100022194	FO Splice Box IP66 S	Housing for storage of up to 5 splice cassettes Telekom or 2 splice cassettes Telekom and 1 panel	Thermoplastic, non halogen, flame retardant, light grey RAL 7035	254 x 180 x 90 mm



Part No.	Description	Remarks	Housing	Dimensions
100022259	FO splice box IP66 M-V	Housing with embossed holes M20/M25, for storage of up to 8x splice cassettes Telekom or 3x splice cassettes Telekom and 1x panel	Thermoplastic, non halogen, flame retardant, light grey RAL 7035	360 x 254 x 111 mm
100022258	FO splice box IP66 S-V	Housing with embossed holes M20/M25, for storage of up to 5x splice cassettes Telekom or 3x splice cassettes Telekom and 1x panel	Thermoplastic, non halogen, flame retardant, light grey RAL 7035	254 x 180 x 90 mm

7.13 Accessories for FO Splice Box IP66

► Part No.	Description	Remarks
100001315	Cable insert for split cable gland M25, 2x Ø 2 mm	Polymere
100001316	Cable insert for split cable gland M25, 2x Ø 3 mm	Polymere
100001317	Cable insert for split cable gland M25, 4x Ø 2 mm	Polymere
100001318	Cable insert for split cable gland M25, 4x Ø 3 mm	Polymere
100001324	Cable insert for split cable gland M25, Ø 10 - 11 mm	Polymere
100001319	Cable insert for split cable gland M25, Ø 5 - 6 mm	Polymere
100001320	Cable insert for split cable gland M25, Ø 6 - 7 mm	Polymere
100001321	Cable insert for split cable gland M25, Ø 7 - 8 mm	Polymere
100001322	Cable insert for split cable gland M25, Ø 8 - 9 mm	Polymere
100001323	Cable insert for split cable gland M25, Ø 9 - 10 mm	Polymere

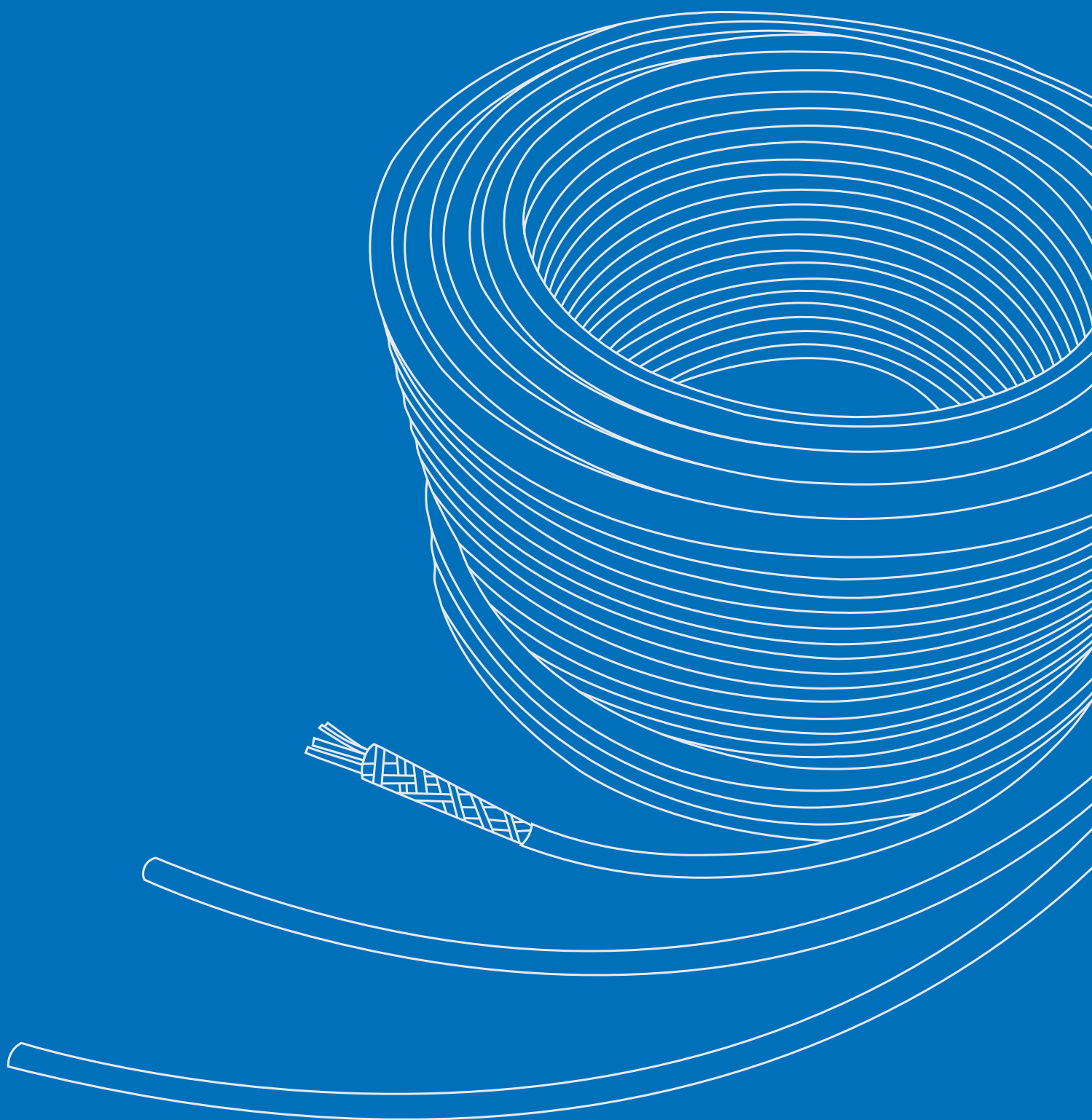


► Part No.	Description	Remarks
100021328	Cable gland M20 for cable dia. 5 - 9 mm	Polyamide PA6, grey
100021350	Cable gland M20 for cable diameter 9 - 13 mm	Polyamide PA6, grey
100021352	Cable gland M25 for cable diameter 16 - 20 mm	Polyamide PA6, grey

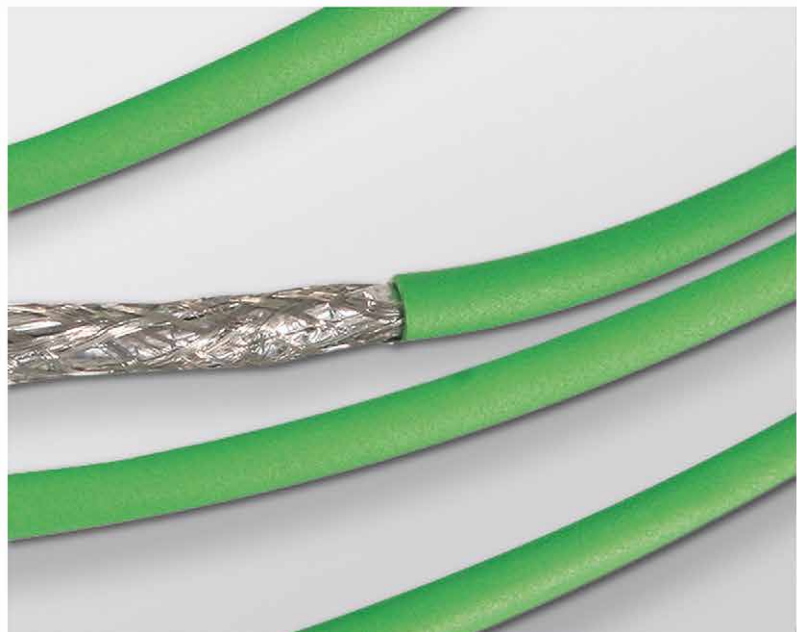


► Part No.	Description	Remarks
100021331	Split cable gland, M25x1.5, with split nut hex 32	Polyamide PA6, grey

COPPER CABLES



COPPER CABLES



8.1	Cat.8.2.....	100
8.2	Cat.7A.....	101
8.3	Cat.7.....	102
8.4	Cat.6A.....	103
8.5	Cat.6.....	104
8.6	Cat.5.....	105

Telegärtner offers a huge variety of installation and flexible cables, shielded and unshielded, with different jacket materials and colours. The Euro classes of the installation cables range from Fca to B2ca, and many of our flexible cables are UL listed.

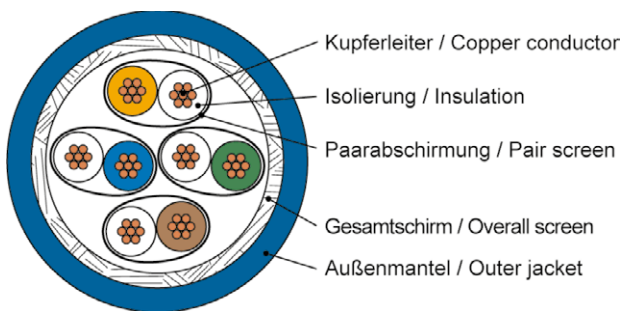
Cable Type	Category	Outer Jacket	Structure	Colour	Euro Class	Part No.
Installation cable	Cat.8.2	LSZH	S/FTP 4x2xAWG23/1	blue	Dca-s2,d1,a1	100013194
Installation cable	Cat.7 _A	LSZH	S/FTP 4x2xAWG22/1	blue	Cca-s1a,d1,a1	100028020
Installation cable	Cat.7 _A	LSZH	S/FTP 4x2xAWG22/1	blue	Eca	100027790
Installation cable	Cat.7 _A	LSZH	S/FTP 4x2xAWG22/1	blue	Eca	100027792
Installation cable	Cat.7 _A	LSZH	S/FTP 4x2xAWG22/1	blue	B2ca-s1a,d1,a1	100013177
Installation cable	Cat.7 _A	LSZH	S/FTP 4x2xAWG22/1	blue	B2ca-s1a,d1,a1	100013178
Installation cable	Cat.7 _A	LSZH	S/FTP 4x2xAWG23/1	blue	Dca-s2,d2,a1	100027780
Installation cable	Cat.7 _A	LSZH	S/FTP 4x2xAWG23/1	blue	Dca-s2,d2,a1	100027782
Installation cable	Cat.7 _A	LSZH	S/FTP 4x2xAWG23/1	blue	Cca-s1a,d1,a1	100027903
Installation cable	Cat.7 _A	LSZH	S/FTP 2x(4x2xAWG23/1)	blue	Dca-s1,d1,a1	100027783
Installation cable	Cat.7	LSZH	S/FTP 4x2xAWG23/1	blue	Dca-s2,d1,a1	100027778
Installation cable	Cat.7	LSZH	S/FTP 4x2xAWG23/1	blue	Dca-s2,d1,a1	100027776
Installation cable	Cat.7	LSZH	S/FTP 4x2xAWG23/1	blue	Cca-s1a,d1,a1	100028018
Installation cable	Cat.7	LSZH	S/FTP 2x(4x2xAWG23/1)	blue	Dca-s1,d1,a1	100027779
Installation cable	Cat.7	PE	S/FTP 4x2xAWG23/1	black	Fca	100033543
Installation cable	Cat.7	FRNC-C,MUD	S/FTP 4x2xAWG23/1	grey	Eca	100027773
Installation cable	Cat.7	PUR	S/FTP 4x2xAWG23/1	green	Fca	100033540
Installation cable	Cat.6 _A	LSZH	U/FTP 4x2xAWG23/1	black	Cca-s1a,d1,a1	100028019
Installation cable	Cat.6 _A	LSZH	U/FTP 4x2xAWG23/1	black	Dca-s2,d1,a1	100027785
Installation cable	Cat.6 _A	LSZH	U/FTP 4x2xAWG23/1	black	Dca-s2,d1,a1	100027787
Installation cable	Cat.6 _A	LSZH	U/FTP 4x2xAWG23/1	black	Dca-s1,d2,a1	100013123
Installation cable	Cat.6 _A	LSZH	U/FTP 2x(4x2xAWG23/1)	black	Dca-s2,d1,a1	100027786
Installation cable	Cat.6	LSZH	F/UTP 4x2xAWG23/1	black	Dca-s2,d0,a1	100013182
Installation cable	Cat.6	LSZH	U/UTP 4x2xAWG23/1	black	Dca-s2,d0,a1	100013181
Installation cable	Cat.5	LSZH	F/UTP 4x2xAWG24/1	black	Dca-s2,d0,a1	100013180
Installation cable	Cat.5	PVC	SF/UTP 4x2xAWG24/1	green	---	100013205
Installation cable	Cat.5	PUR	SF/UTP 4x2xAWG24/1	green	---	100013206

Cable Type	Category	Outer Jacket	Structure	Colour	UL Listing	Part No.
Flexible	Cat.8.2	LSZH	S/FTP 4x2xAWG26/7	blue	---	100013195
Flexible	Cat.7	LSZH	S/FTP 4x2xAWG27/7	blue	E344985	100013211
Flexible	Cat.7	LSZH	S/FTP 4x2xAWG27/7	yellow	E344985	100013212
Flexible	Cat.7	LSZH	S/FTP 4x2xAWG27/7	grey	E344985	100013077
Flexible	Cat.7	LSZH	S/FTP 4x2xAWG27/7	green	E344985	100013200
Flexible	Cat.7	LSZH	S/FTP 4x2xAWG27/7	red	E344985	100013202
Flexible	Cat.7	LSZH	S/FTP 4x2xAWG27/7	black	E344985	100013213
Flexible	Cat.7	PVC	S/FTP 4x2xAWG23/7	green	---	100033544
Flexible	Cat.7	PVC	S/FTP 4x2xAWG26/7	green	---	100013209
Flexible	Cat.7	PVC	S/FTP 4x2xAWG27/7	green	---	100013207
Flexible	Cat.7	PE	S/FTP 4x2xAWG26/7	black	---	100013148
Flexible	Cat.7	PUR	S/FTP 4x2xAWG26/7	green	E344985	100013210
Flexible	Cat.7	PUR	S/FTP 4x2xAWG27/7	green	E344985	100013208
Flexible	Cat.6	PVC	U/UTP 4x2xAWG24/7	grey	---	100013078
Flexible	Cat.5	PVC	SF/UTP 4x2xAWG26/7	green	---	100013203
Flexible	Cat.5	PVC	F/UTP 4x2xAWG26/7	grey	---	100013067
Flexible	Cat.5	PVC	F/UTP 4x2xAWG26/7	grey	---	100013068
Flexible	Cat.5	PVC	U/UTP 4x2xAWG24/7	blue	---	100013071
Flexible	Cat.5	PVC	U/UTP 4x2xAWG24/7	yellow	---	100013070
Flexible	Cat.5	PVC	U/UTP 4x2xAWG24/7	grey	---	100013065
Flexible	Cat.5	PVC	U/UTP 4x2xAWG24/7	grey	---	100013066
Flexible	Cat.5	PVC	U/UTP 4x2xAWG24/7	green	---	100013072
Flexible	Cat.5	PVC	U/UTP 4x2xAWG24/7	red	---	100013073
Flexible	Cat.5	PVC	U/UTP 4x2xAWG24/7	black	---	100013074
Flexible	Cat.5	PUR	SF/UTP 2x2xAWG22/7	green	E344985	100033545
Flexible	Cat.5	PUR	SF/UTP 4x2xAWG26/7	green	---	100013204

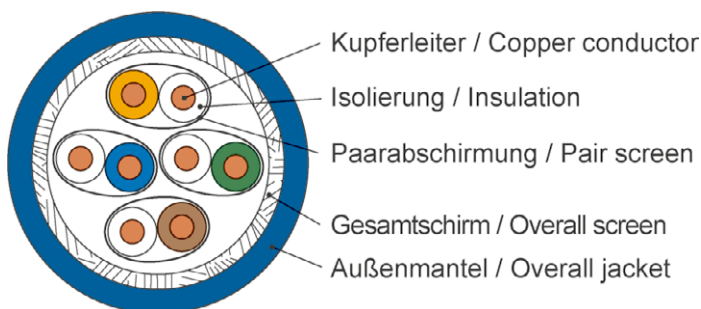
8 COPPER CABLES

8.1 Cat.8.2

- S/FTP
- Cat.8.2
- Suitable for 40 Gigabit Ethernet according to IEEE 802.3
- Suitable for Power over Ethernet+ according to IEEE 802.3
- Suitable for 4 Pair over Ethernet
- Class I (30 m channel) according to ISO/IEC 11801-1
- Class I, Class F_A according to EN 50173-1
- Cable jacket LSZH
- Jacket color blue RAL 5012
- Tensile strength max. 56 N
- Scope of delivery 1,000 m on disposable wooden drum



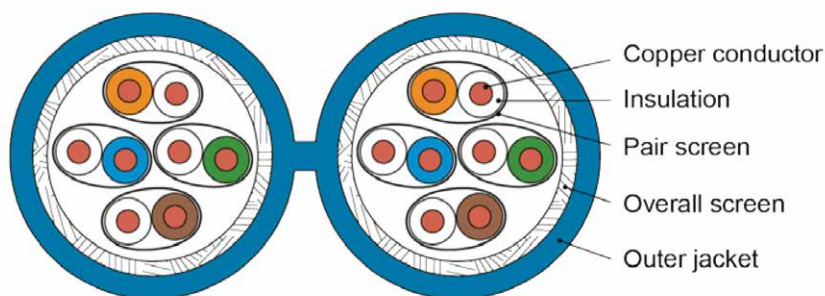
Part No.	Description	Colour	Length	Structure	Cable jacket material
100013195	AMJ 2000	Blue	1000 m	S/FTP 4x2xAWG26/7	LSZH



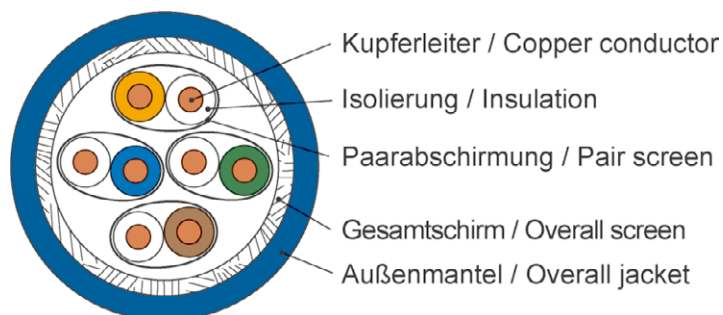
Part No.	Description	Colour	Length	Structure	Cable jacket material
100013194	AMJ 2000	Blue	1000 m	S/FTP 4x2xAWG23/1	LSZH

Cat.7A 8.2

- S/FTP
- Cat.7A
- Suitable for 10 Gigabit Ethernet according to IEEE 802.3
- Suitable for Power over Ethernet+ according to IEEE 802.3
- Suitable for 4 Pair over Ethernet
- Class F_A according to ISO/IEC 11801-1, EN 50173-1
- Cable jacket LSZH
- Jacket color blue RAL 5015



Part No.	Description	Colour	Length	Structure	Cable jacket material
100027783	AMJ 1300	Blue	500 m	S/FTP 2x(4x2xAWG23/1)	LSZH

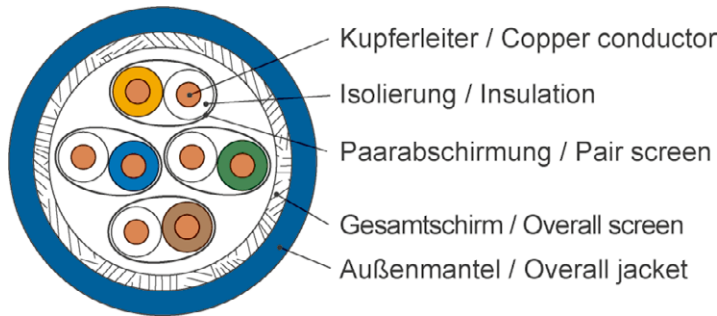


Part No.	Description	Colour	Length	Structure	Cable jacket material
100027903	AMJ 1300	Blue	1000 m	S/FTP 4x2xAWG23/1	LSZH
100027780	AMJ 1300	Blue	1000 m	S/FTP 4x2xAWG23/1	LSZH
100027782	AMJ 1300	Blue	500 m	S/FTP 4x2xAWG23/1	LSZH
100028020	AMJ 1400	Blue	1000 m	S/FTP 4x2xAWG22/1	LSZH
100013177	AMJ 1600	Blue	1000 m	S/FTP 4x2xAWG22/1	LSZH
100027790	AMJ 1600	Blue	1000 m	S/FTP 4x2xAWG22/1	LSZH
100027792	AMJ 1600	Blue	500 m	S/FTP 4x2xAWG22/1	LSZH
100013178	AMJ 1600	Blue	500 m	S/FTP 4x2xAWG22/1	LSZH

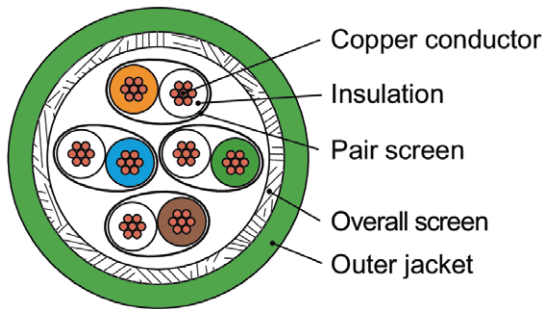
8 COPPER CABLES

8.3 Cat.7

- S/FTP
- Cat.7
- Suitable for 10 Gigabit Ethernet according to IEEE 802.3
- Suitable for Power over Ethernet+ according to IEEE 802.3
- Class F according to ISO/IEC 11801-1, EN 50173-1
- LSZH cable jacket



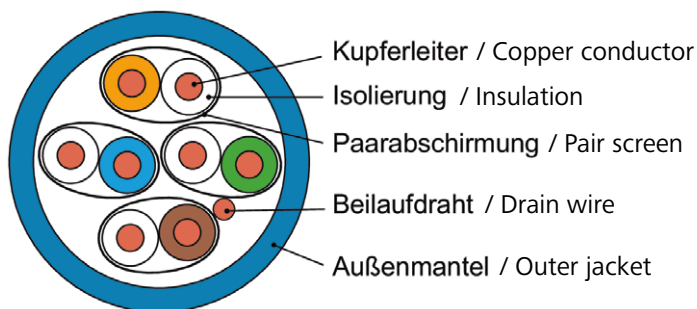
Part No.	Description	Colour	Length	Structure	Cable jacket material
100033543	AMJ 1000	Black	500 m	S/FTP 4x2xAWG23/1	PE
100027776	AMJ 1000	Blue	1000 m	S/FTP 4x2xAWG23/1	LSZH
100027778	AMJ 1000	Blue	500 m	S/FTP 4x2xAWG23/1	LSZH
100028018	AMJ 1000	Blue	1000 m	S/FTP 4x2xAWG23/1	LSZH
100033540	STX 900	Green	500 m	S/FTP 4x2xAWG23/1	PUR
100027773	TOC 900	Grey	500 m	S/FTP 4x2xAWG23/1	FRNC



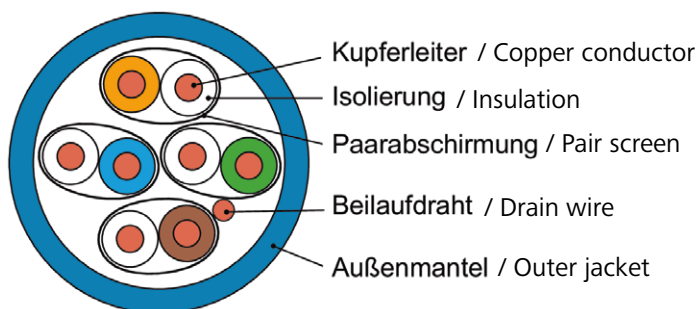
Part No.	Description	Colour	Length	Structure	Cable jacket material
100013211	AMJ 600	Blue	305 m	S/FTP 4x2xAWG27/7	LSZH
100013212	AMJ 600	Yellow	305 m	S/FTP 4x2xAWG27/7	LSZH
100013077	AMJ 600	Grey	305 m	S/FTP 4x2xAWG27/7	LSZH
100013200	AMJ 600	Green	305 m	S/FTP 4x2xAWG27/7	LSZH
100013202	AMJ 600	Red	305 m	S/FTP 4x2xAWG27/7	LSZH
100013213	AMJ 600	Black	305 m	S/FTP 4x2xAWG27/7	LSZH
100013209	STX 600	Green	305 m	S/FTP 4x2xAWG26/7	PVC
100013208	STX 600	Green	305 m	S/FTP 4x2xAWG27/7	PUR
100013207	STX 600	Green	305 m	S/FTP 4x2xAWG27/7	PVC
100013210	STX 600	Green	305 m	S/FTP 4x2xAWG26/7	PUR

Cat.6A 8.4

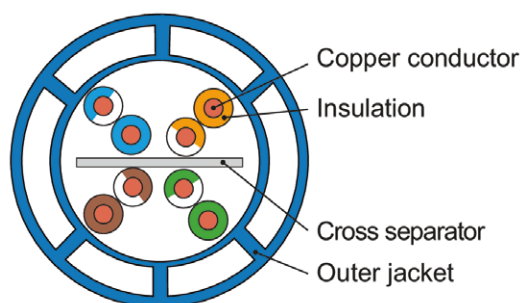
- U/FTP
- Cat.6A
- Suitable for 10 Gigabit Ethernet
- Suitable for Power over Ethernet+ according to IEEE 802.3
- Suitable for 4 Pair over Ethernet
- Class E_A according to ISO/IEC 11801-1, EN 50173-1
- Cable jacket LSZH
- Jacket color blue RAL 5015



► Part No.	Description	Colour	Length	Structure	Cable jacket material
100027786	AMJ 500	Blue	500 m	U/FTP 2x(4x2xAWG23/1)	LSZH
100027787	AMJ 500	Blue	1000 m	U/FTP 4x2xAWG23/1	LSZH
100027785	AMJ 500	Blue	500 m	U/FTP 4x2xAWG23/1	LSZH



► Part No.	Description	Colour	Length	Structure	Cable jacket material
100028019	AMJ 500	Blue	500 m	U/FTP 4x2xAWG23/1	LSZH

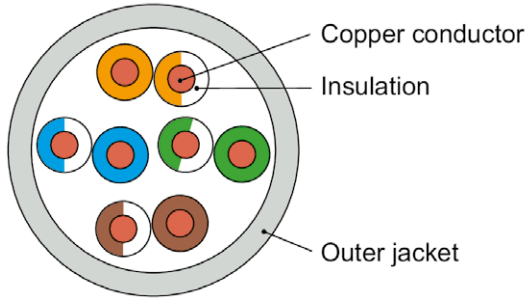


► Part No.	Description	Colour	Length	Structure	Cable jacket material
100013123	UMJ 500	Blue	305 m	U/FTP 4x2xAWG23/1	LSZH

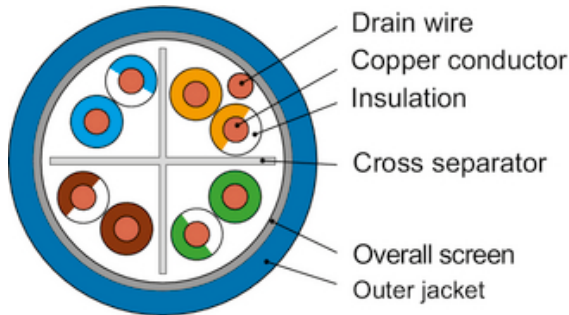
8 COPPER CABLES

8.5 Cat.6

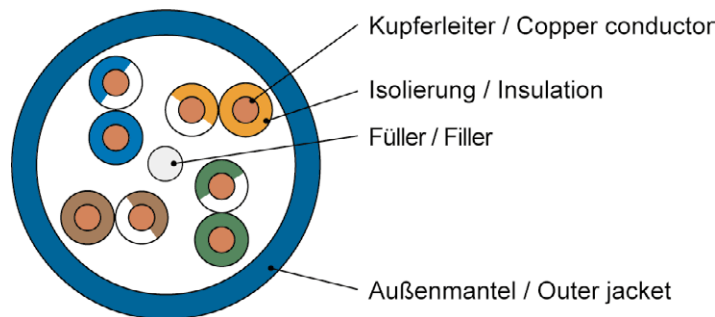
- U/UTP
- Cat.6
- Suitable for Power over Ethernet+ according to IEEE 802.3
- Class E according to ISO/IEC 11801-1, EN 50173-1
- Cable jacket PVC
- Jacket color grey RAL 7035



Part No.	Description	Colour	Length	Structure	Cable jacket material
100013078	UMJ 250	Grey	305 m	U/UTP 4x2xAWG24/7	PVC



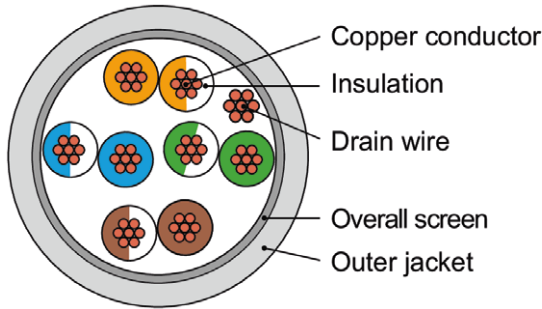
Part No.	Description	Colour	Length	Structure	Cable jacket material
100013182	AMJ 300	Blue	500 m	F/UTP 4x2xAWG23/1	LSZH



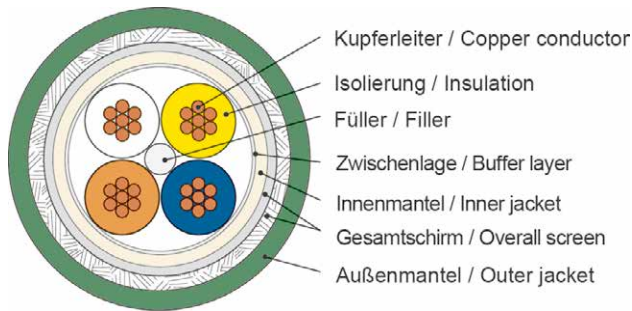
Part No.	Description	Colour	Length	Structure	Cable jacket material
100013181	UMJ 300	Blue	500 m	U/UTP 4x2xAWG23/1	LSZH

Cat.5 8.6

- Cat.5
- Suitable for Power over Ethernet+ according to IEEE 802.3
- Class D according to ISO/IEC 11801-1, EN 50173-1



Part No.	Description	Colour	Length	Structure	Cable jacket material
100013068	AMJ 150	Grey	100 m	F/UTP 4x2xAWG26/7	PVC
100013067	AMJ 150	Grey	305 m	F/UTP 4x2xAWG26/7	PVC

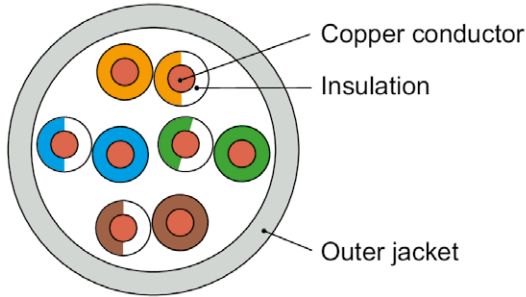


Part No.	Description	Colour	Length	Structure	Cable jacket material
100033545	PROFINET Type C	Green	1000 m	SF/UTP 2x2xAWG22/7	PUR

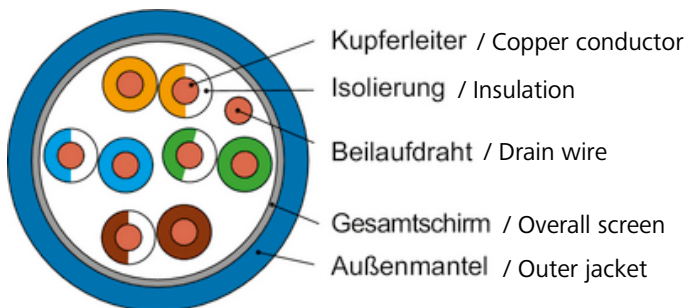
8.6

8 COPPER CABLES

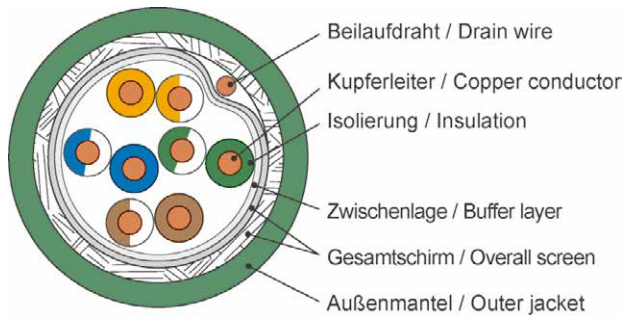
8.6 Cat.5



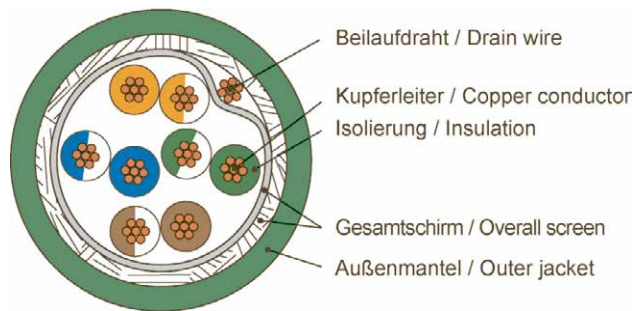
Part No.	Description	Colour	Length	Structure	Cable jacket material
100013071	UMJ 150	Blue	100 m	U/UTP 4x2xAWG24/7	PVC
100013070	UMJ 150	Yellow	100 m	U/UTP 4x2xAWG24/7	PVC
100013066	UMJ 150	Grey	100 m	U/UTP 4x2xAWG24/7	PVC
100013065	UMJ 150	Grey	305 m	U/UTP 4x2xAWG24/7	PVC
100013072	UMJ 150	Green	100 m	U/UTP 4x2xAWG24/7	PVC
100013073	UMJ 150	Red	100 m	U/UTP 4x2xAWG24/7	PVC
100013074	UMJ 150	Black	100 m	U/UTP 4x2xAWG24/7	PVC



Part No.	Description	Colour	Length	Structure	Cable jacket material
100013180	AMJ 200	Blue	500 m	F/UTP 4x2xAWG24/1	LSZH



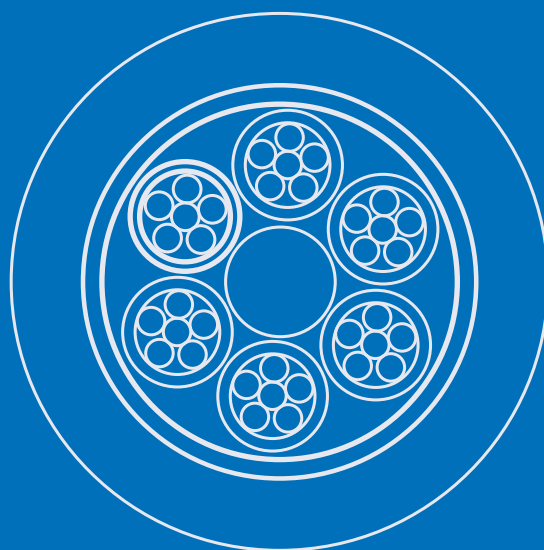
Part No.	Description	Colour	Length	Structure	Cable jacket material
100013206	Installation cable	Green	305 m	SF/UTP 4x2xAWG24/1	PUR
100013205	Installation cable	Green	305 m	SF/UTP 4x2xAWG24/1	PVC

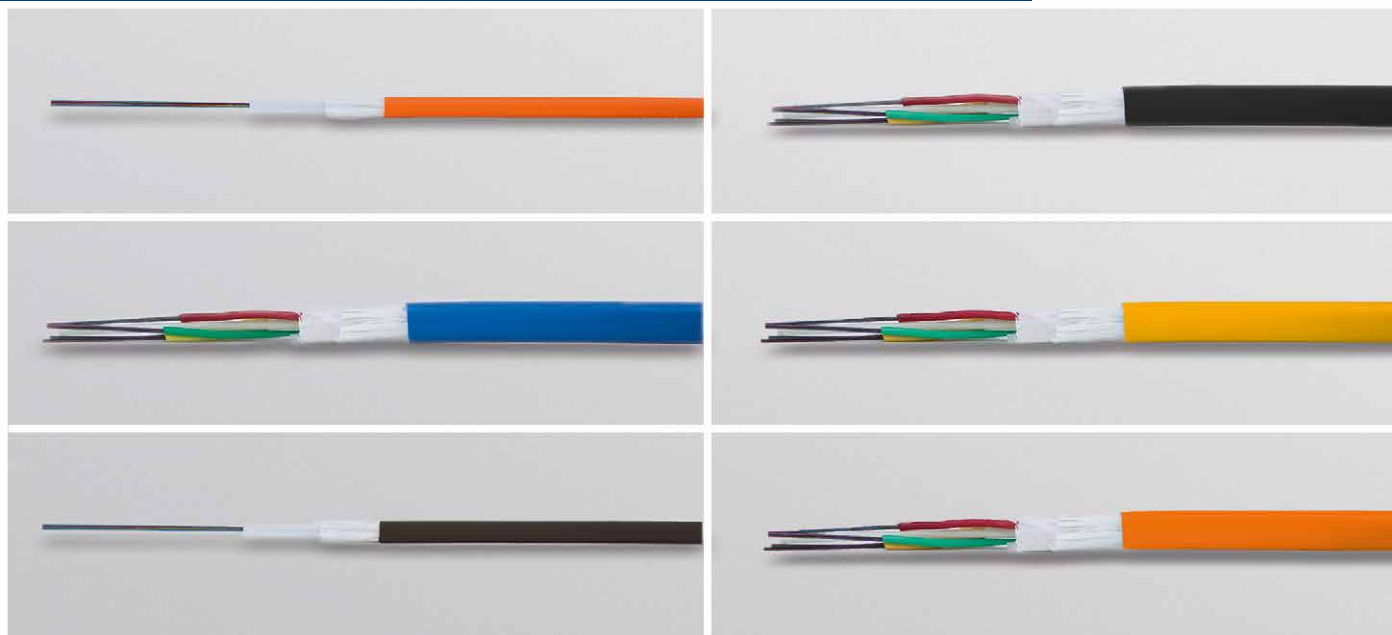


Part No.	Description	Colour	Length	Structure	Cable jacket material
100013204	Installation cable	Green	305 m	SF/UTP 4x2xAWG26/7	PUR
100013203	Installation cable	Green	305 m	SF/UTP 4x2xAWG26/7	PVC

9

FO CABLES





- 9.1 Universal Cable..... 112
 - 9.1.1 Universal Central Loose Tube Cable..... 112
 - 9.1.2 Universal Multi Loose Tube Cable..... 113
- 9.2 Outdoor Cable..... 113
 - 9.2.1 Outdoor Central Loose Tube Cable..... 113
 - 9.2.2 Outdoor Multi Loose Tube Cable..... 114
 - 9.2.3 Armoured Outdoor Central Loose Tube Cable..... 115

As a practical addition to the existing pre-terminated cables and the bulk cables, outdoor and universal cables per drum permit particularly cost-effective installation, especially for longer cable sections. The cables can be connected, for example, in the field-proven patch panels of the series BASIS V and PROFI V series, in the splice modules of the module carriers or in various wall-mounted distributors. The cables are delivered on environmentally friendly single-use wooden reels. The delivery quantity is always two kilometers.

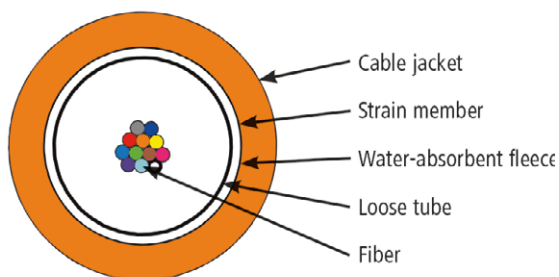
	Universal Cable		Outdoor Cable	
	Central Loose Tube Cable	Multi Loose Tube Cable	Central Loose Tube Cable	Multi Loose Tube Cable
Mechanical Characteristics				
Construction	A/I-DQ(ZN)BH	A/I-DQ(ZN)BH	A-DQ(ZN)B2Y	A-DQ(ZN)B2Y
Outer jacket	Ø 5.8 mm ± 0.3 mm	Ø 13.7 mm ± 0.3 mm	Ø 5.8 mm ± 0.3 mm	Ø 13.7 mm ± 0.3 mm
Installation (short term)	1500 N	6600 N	1500 N	6600 N
Operation (long term)	700 N	2200 N	700 N	2200 N
Bending radius for fibres	> 25 mm	> 25 mm	> 25 mm	> 25 mm
Jacket colour	Singlemode: yellow Multimode: orange	Singlemode: yellow Multimode: orange	black	black
Weight	37 kg/km	170 kg/km	28 kg/km	149 kg/km
Thermic and Climatic Characteristics				
Storage temperature	-30 °C to +70 °C	-30 °C to +70 °C	-30 °C to +70 °C	-30 °C to +70 °C
Installation temperature	-5 °C to +50 °C	-5 °C to +50 °C	-5 °C to +50 °C	-5 °C to +50 °C
Flame retardant	IEC 60332-1	IEC 60332-1	-	-
Halogen free	IEC 60754-1 Zero	IEC 60754-1 Zero	-	-
Longitudinal watertightness	IEC 60794-1-22-F5	IEC 60794-1-22-F5	IEC 60794-1-22-F5	IEC 60794-1-22-F5
UV resistance	UV resistant	UV resistant	UV resistant	UV resistant
Euroclass	Dca	Dca		Not relevant
Smoke production	s2	s2		Not relevant
Flaming droplets	d1	d1		Not relevant
Acidity	a1	a1		Not relevant
Technical Characteristics				
Application	Indoor and outdoor, weather-resistant, Rodent protection, direct burial		High mechanical loads, weather-resistant, Rodent protection, direct burial	

	Armoured Outdoor Cable Central Loose Tube Cable
Mechanical Characteristics	
Construction	A-DQ(ZN)(SR)2Y
Outer jacket	Ø 9.0 mm ± 0.3 mm
Installation (short term)	2400 N
Operation (long term)	1200 N
Bending radius for fibres	> 25 mm
Jacket colour	black
Weight	85 kg/km
Thermic and Climatic Characteristics	
Storage temperature	-30 °C to +70 °C
Installation temperature	-5 °C to +50 °C
Longitudinal watertightness	IEC 60794-1-22-F5
UV resistance	UV resistant
Technical Characteristics	
Application	High mechanical loads, weather-resistant, direct burial

9.1 Universal Cable

The **A/I-DQ(ZN)BH** universal cable is suitable for both indoor and outdoor use, thanks to a halogen-free outer jacket. Non-metallic strength members protect the optical fibers from mechanical stress when the cable is pulled in, fixed or attacked by rodents.

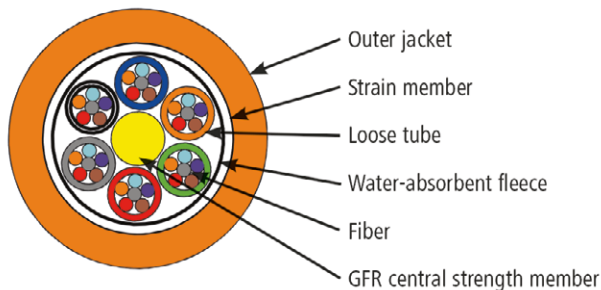
9.1.1 Universal Central Loose Tube Cable



Part No.	Description	Fiber type	Colour	Length
100013348	Universal cable A/I-DQ(ZN)BH 1x12E9/125 OS2	12x singlemode OS2	Yellow	2000 m
100013490	Universal cable A/I-DQ(ZN)BH 1x12G50/125 OM2	12x multimode OM2	Orange	2000 m
100013495	Universal cable A/I-DQ(ZN)BH 1x12G50/125 OM3	12x multimode OM3	Orange	2000 m
100013500	Universal cable A/I-DQ(ZN)BH 1x12G50/125 OM4	12x multimode OM4	Orange	2000 m
100013544	Universal cable A/I-DQ(ZN)BH 1x12G62.5/125 OM1	12x multimode OM1	Orange	2000 m
100013349	Universal cable A/I-DQ(ZN)BH 1x24E9/125 OS2	24x singlemode OS2	Yellow	2000 m
100013491	Universal cable A/I-DQ(ZN)BH 1x24G50/125 OM2	24x multimode OM2	Orange	2000 m
100013496	Universal cable A/I-DQ(ZN)BH 1x24G50/125 OM3	24x multimode OM3	Orange	2000 m
100013501	Universal cable A/I-DQ(ZN)BH 1x24G50/125 OM4	24x multimode OM4	Orange	2000 m
100013545	Universal cable A/I-DQ(ZN)BH 1x24G62.5/125 OM1	24x multimode OM1	Orange	2000 m
100013487	Universal cable A/I-DQ(ZN)BH 1x4G50/125 OM2	4x multimode OM2	Orange	2000 m
100013492	Universal cable A/I-DQ(ZN)BH 1x4G50/125 OM3	4x multimode OM3	Orange	2000 m
100013497	Universal cable A/I-DQ(ZN)BH 1x4G50/125 OM4	4x multimode OM4	Orange	2000 m
100013541	Universal cable A/I-DQ(ZN)BH 1x4G62.5/125 OM1	4x multimode OM1	Orange	2000 m
100013488	Universal cable A/I-DQ(ZN)BH 1x6G50/125 OM2	6x multimode OM2	Orange	2000 m
100013493	Universal cable A/I-DQ(ZN)BH 1x6G50/125 OM3	6x multimode OM3	Orange	2000 m
100013498	Universal cable A/I-DQ(ZN)BH 1x6G50/125 OM4	6x multimode OM4	Orange	2000 m
100013542	Universal cable A/I-DQ(ZN)BH 1x6G62.5/125 OM1	6x multimode OM1	Orange	2000 m
100013489	Universal cable A/I-DQ(ZN)BH 1x8G50/125 OM2	8x multimode OM2	Orange	2000 m
100013494	Universal cable A/I-DQ(ZN)BH 1x8G50/125 OM3	8x multimode OM3	Orange	2000 m
100013499	Universal cable A/I-DQ(ZN)BH 1x8G50/125 OM4	8x multimode OM4	Orange	2000 m
100013543	Universal cable A/I-DQ(ZN)BH 1x8G62.5/125 OM1	8x multimode OM1	Orange	2000 m

Universal Multi Loose Tube Cable

9.1.2



Part No.	Description	Fiber type	Colour	Length
100013350	Universal cable A/I-DQ(ZN)BH 4x12E9/125 OS2	48x singlemode OS2	Yellow	2000 m
100013505	Universal cable A/I-DQ(ZN)BH 4x12G50/125 OM2	48x multimode OM2	Orange	2000 m
100013506	Universal cable A/I-DQ(ZN)BH 4x12G50/125 OM3	48x multimode OM3	Orange	2000 m
100013509	Universal cable A/I-DQ(ZN)BH 4x12G50/125 OM4	48x multimode OM4	Orange	2000 m

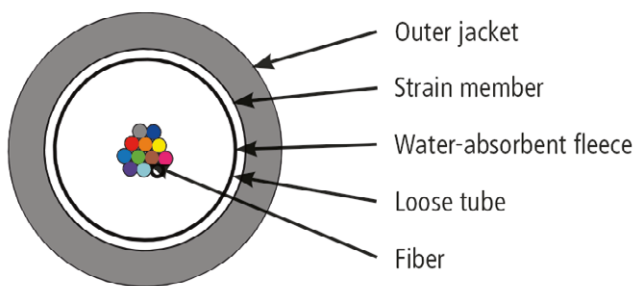
Outdoor Cable

9.2

Outdoor Central Loose Tube Cable

9.2.1

The **A-DQ(ZN)B2Y** outdoor cable comes with dielectric strength members as an effective rodent protection. Its PE jacket is UV-resitant, weatherresistant and is naturally suitable for direct burial. The robust **A-DQ(ZN)(SR)B2Y** outdoor cable comes with corrugated steel armouring for applications with extreme mechanical loads.

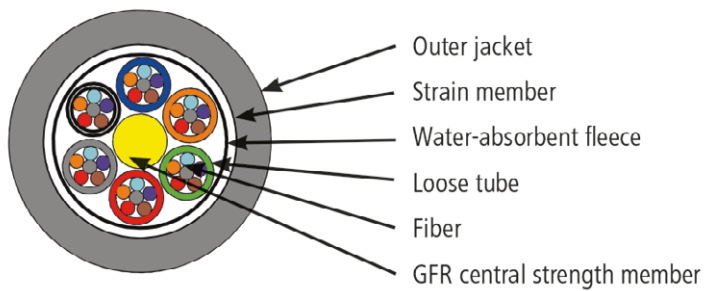


Part No.	Description	Fiber type	Colour	Length
100013326	Outdoor cable A-DQ(ZN)B2Y 1x12E9/125 OS2	12x singlemode OS2	Black	2000 m
100013399	Outdoor cable A-DQ(ZN)B2Y 1x12G50/125 OM2	12x multimode OM2	Black	2000 m
100013404	Outdoor cable A-DQ(ZN)B2Y 1x12G50/125 OM3	12x multimode OM3	Black	2000 m
100013409	Outdoor cable A-DQ(ZN)B2Y 1x12G50/125 OM4	12x multimode OM4	Black	2000 m
100013327	Outdoor cable A-DQ(ZN)B2Y 1x24E9/125 OS2	24x singlemode OS2	Black	2000 m
100013400	Outdoor cable A-DQ(ZN)B2Y 1x24G50/125 OM2	24x multimode OM2	Black	2000 m

9 FO CABLES

► Part No.	Description	Fiber type	Colour	Length
100013405	Outdoor cable A-DQ(ZN)B2Y 1x24G50/125 OM3	24x multimode OM3	Black	2000 m
100013410	Outdoor cable A-DQ(ZN)B2Y 1x24G50/125 OM4	24x multimode OM4	Black	2000 m
100013396	Outdoor cable A-DQ(ZN)B2Y 1x4G50/125 OM2	4x multimode OM2	Black	2000 m
100013401	Outdoor cable A-DQ(ZN)B2Y 1x4G50/125 OM3	4x multimode OM3	Black	2000 m
100013406	Outdoor cable A-DQ(ZN)B2Y 1x4G50/125 OM4	4x multimode OM4	Black	2000 m
100013397	Outdoor cable A-DQ(ZN)B2Y 1x6G50/125 OM2	6x multimode OM2	Black	2000 m
100013402	Outdoor cable A-DQ(ZN)B2Y 1x6G50/125 OM3	6x multimode OM3	Black	2000 m
100013407	Outdoor cable A-DQ(ZN)B2Y 1x6G50/125 OM4	6x multimode OM4	Black	2000 m
100013398	Outdoor cable A-DQ(ZN)B2Y 1x8G50/125 OM2	8x multimode OM2	Black	2000 m
100013403	Outdoor cable A-DQ(ZN)B2Y 1 x 8G50/125 OM3	8x multimode OM3	Black	2000 m
100013408	Outdoor cable A-DQ(ZN)B2Y 1 x 8G50/125 OM4	8x multimode OM4	Black	2000 m

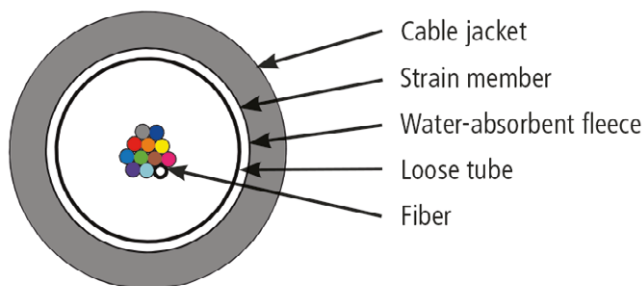
9.2.2 Outdoor Multi Loose Tube Cable



► Part No.	Description	Fiber type	Colour	Length
100013331	Outdoor cable A-DQ(ZN)B2Y 4x12E9/125 OS2	4x 12 singlemode OS2	Black	2000 m
100013426	Outdoor cable A-DQ(ZN)B2Y 4x12G50/125 OM2	4x 12 multimode OM2	Black	2000 m
100013427	Outdoor cable A-DQ(ZN)B2Y 4x12G50/125 OM3	4x 12 multimode OM3	Black	2000 m
100013428	Outdoor cable A-DQ(ZN)B2Y 4x12G50/125 OM4	4x 12 multimode OM4	Black	2000 m

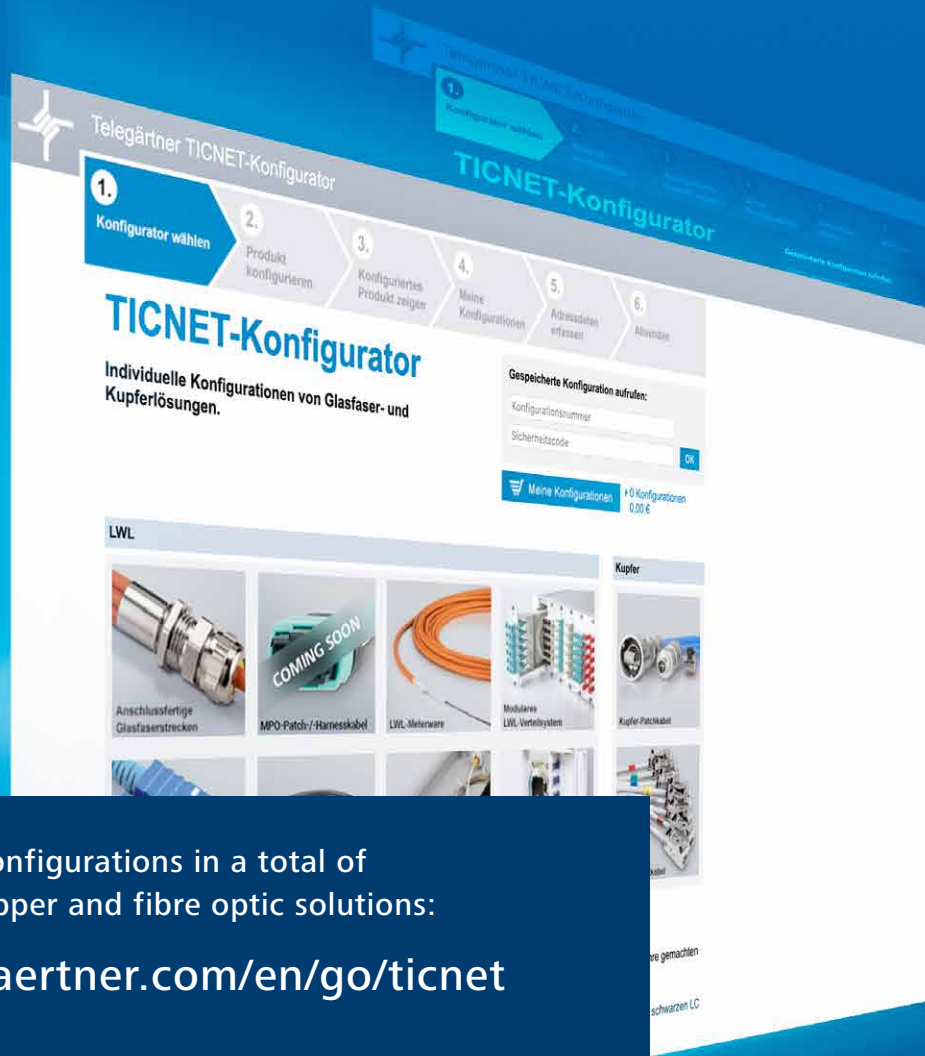
Armoured Outdoor Central Loose Tube Cable

9.2.3



Part No.	Description	Fiber type	Colour	Length
100013328	Armoured outdoor cable A-DQ(ZN)(SR)2Y 1x12E9/125 OS2	12x singlemode OS2	Black	2000 m
100013414	Armoured outdoor cable A-DQ(ZN)(SR)2Y 1x12G50/125 OM2	12x multimode OM2	Black	2000 m
100013419	Armoured outdoor cable A-DQ(ZN)(SR)2Y 1x12G50/125 OM3	12x multimode OM3	Black	2000 m
100013424	Armoured outdoor cable A-DQ(ZN)(SR)2Y 1x12G50/125 OM4	12x multimode OM4	Black	2000 m
100013329	Armoured outdoor cable A-DQ(ZN)(SR)2Y 1x24E9/125 OS2	24x singlemode OS2	Black	2000 m
100013415	Armoured outdoor cable A-DQ(ZN)(SR)2Y 1x24G50/125 OM2	24x multimode OM2	Black	2000 m
100013420	Armoured outdoor cable A-DQ(ZN)(SR)2Y 1x24G50/125 OM3	24x multimode OM3	Black	2000 m
100013425	Armoured outdoor cable A-DQ(ZN)(SR)2Y 1x24G50/125 OM4	24x multimode OM4	Black	2000 m
100013411	Armoured outdoor cable A-DQ(ZN)(SR)2Y 1x4G50/125 OM2	4x multimode OM2	Black	2000 m
100013416	Armoured outdoor cable A-DQ(ZN)(SR)2Y 1x4G50/125 OM3	4x multimode OM3	Black	2000 m
100013421	Armoured outdoor cable A-DQ(ZN)(SR)2Y 1x4G50/125 OM4	4x multimode OM4	Black	2000 m
100013412	Armoured outdoor cable A-DQ(ZN)(SR)2Y 1x6G50/125 OM2	6x multimode OM2	Black	2000 m
100013417	Armoured outdoor cable A-DQ(ZN)(SR)2Y 1x6G50/125 OM3	6x multimode OM3	Black	2000 m
100013422	Armoured outdoor cable A-DQ(ZN)(SR)2Y 1x6G50/125 OM4	6x multimode OM4	Black	2000 m
100013413	Armoured outdoor cable A-DQ(ZN)(SR)2Y 1x8G50/125 OM2	8x multimode OM2	Black	2000 m
100013418	Armoured outdoor cable A-DQ(ZN)(SR)2Y 1x8G50/125 OM3	8x multimode OM3	Black	2000 m
100013423	Armoured outdoor cable A-DQ(ZN)(SR)2Y 1x8G50/125 OM4	8x multimode OM4	Black	2000 m

OUR TICNET- CONFIGURATOR 24/7, SIMPLE, INDIVIDUAL.



For individual configurations in a total of
10 ranges of copper and fibre optic solutions:

www.telegaertner.com/en/go/ticnet

Fibre optic connection, twisted pair with different
connectors and different housing solutions

It's that simple: TICNET

Step 1

Select product

Step 2

Configure
product

Step 3

Set labelling
(optional)

Step 4

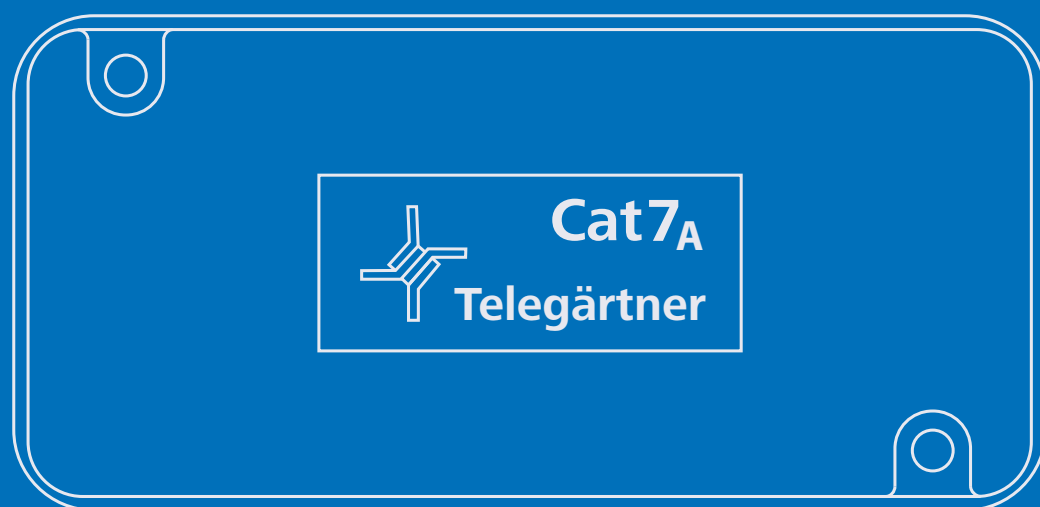
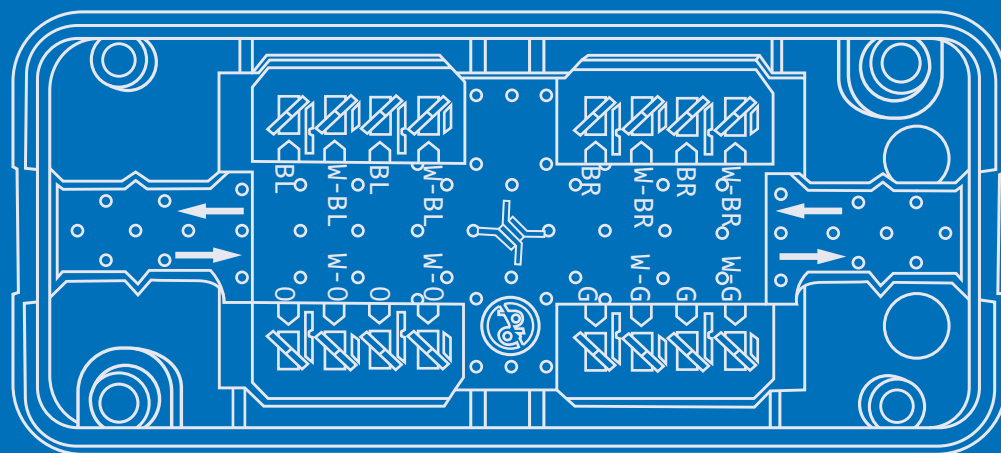
Show
product

Step 5

Enter address
& send
request

10

CONNECTION MODULES CAT. 7A



CONNECTION MODULES CAT.7A



10.1 Connection Modules Cat.7A.....120

The VM 8-8 modules are employed as connections and extensions of commercially available, shielded and unshielded twisted-pair installation cables (Cat.5e/ Cat.6/ Cat.6_A/ Cat.7/ Cat.7_A) in the following applications: transition point/consolidation point, cable extensions, damaged cables, cable rerouting. When VM 8-8 modules are used, the cable segments in a structured wiring system do not need to be laid out again. This reduces the expenses for alterations and the overall costs to a minimum. Depending on the connection module type, up to 12 incoming and 12 outgoing 8-wire cables can be permanently connected together without any significant reduction in the transmission characteristics or limitation of the maximum link.


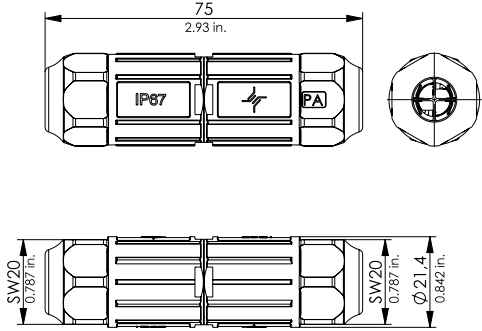
Performance Characteristics

- Connection via LSA Plus terminals on a common PCB
- Colour coding T568A and T568B
- Connection of 4-pair shielded/unshielded installation and patch cords from AWG 27-22
- Pairs can be brought directly up to the terminal without untwisting the pairs
- Secure shielded contact using screw-on terminals directly on the PCB
- Cable strain relief using commercially available cable ties (VM 8-8 Cat.7_A)
- Variable cable feeds
- Tool-free installation of shielding cover made of stainless steel (19" and wall mount version)
- Surface mount (AP) type: incoming and outgoing cables in the same direction
- Surface mount, 19", and basic (for loose connection) version: incoming and outgoing cables offset by 180 degrees
- Bonding connection option directly on the PCB (M4 screw)
- EMC compatible in accordance with DIN EN 61000-6-1 and 61000-6-2

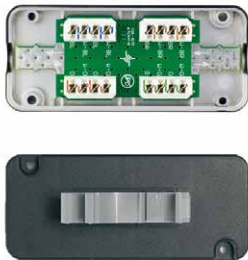
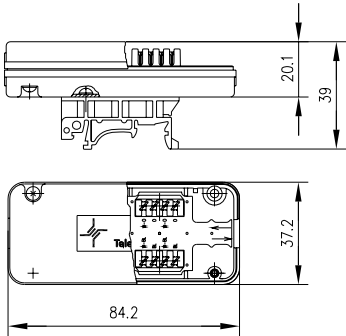
	VM 8-8 Cat.7 _A	6x VM 8-8 Cat.7 _A	12x VM 8-8 Cat.7 _A	VM-Pro 8-8 Class F _A IP67
Mechanical Characteristics				
Material: housing	ABS non halogen, UL94 V0 black	sheet steel 1.5 mm, powder-coated, light grey RAL 7035		PA UL94 V0 black
Material: shield	EMC plating aluminium	Stainless sheet steel	Stainless sheet steel	Zinc die-cast
Material: PCB	FR4	FR4	FR4	-
Material: PCB finish	Cu 35/35 zinc-plated	Cu 35/35 zinc-plated	Cu 35/35 zinc-plated	-
Material: Cable tie	PA 6.6 UL94 V2	PA 6.6 UL94 V2	PA 6.6 UL94 V2	-
LSA Plus: Cu conductor diameter	0.41 - 0.64 mm AWG 26/1 - AWG 22/1			Solid: 0.51 - 0.64 mm AWG 24/1 - AWG 22/1 Stranded: 0.48 - 0.76 mm AWG26/7-AWG22/7
LSA Plus: Wire diameter	0.7 - 1.6 mm	0.7 - 1.6 mm	0.7 - 1.6 mm	0.85 - 1.6 mm
Climatic Characteristics				
Temperature range	-40 °C to +70 °C	-40 °C to +70 °C	-40 °C to +70 °C	-40 °C to +85 °C
Electrical Characteristics				
Working current at 50 °C	1 A	1 A	1 A	1 A
Voltage proof: contact-contact	≥ 1000 DC	≥ 1000 DC	≥ 1000 DC	≥ 1000 DC
Voltage proof: contact-shield	≥ 1500 DC	≥ 1500 DC	≥ 1500 DC	≥ 1500 DC
Transmission Characteristics				
Cat.7 _A	Category 7 _A acc. to ISO/IEC 11801-1, EN 50173-1			-
Class F _A	ISO/IEC 11801-1, EN 50173-1			
Cat.6 _A	ISO/IEC 11801-1, EN 50173-1			
IP rating	IP20	IP20	IP20	IP67
EMC	DIN EN 61000-6-1, DIN EN 61000-6-2			

10 CONNECTION MODULES CAT.7A

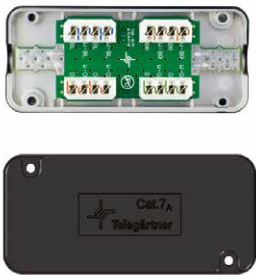
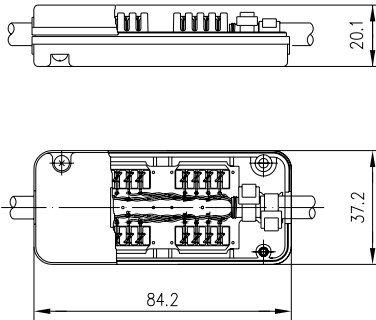
10.1 Connection Modules Cat.7A

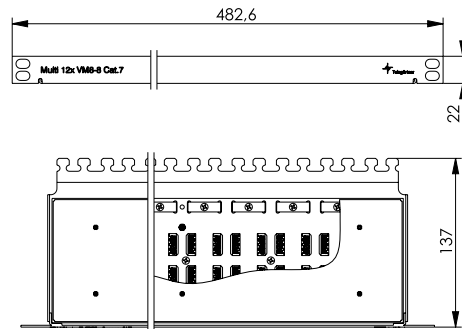
Part No.	Description	Remarks	Colour
100007547	VM-Pro 8-8 Class F _A IP67	AWG27-22	Black

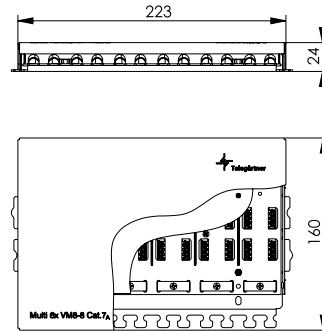
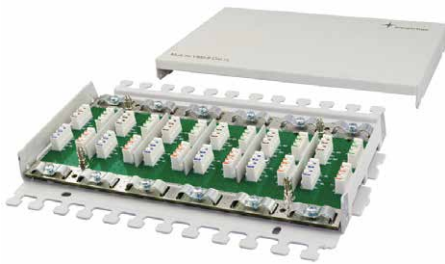
Part No.	Short name	Remarks	Colour
100023277	VM 8-8 Cat.7 _A with Mounting Rail Adaptor	Module for shielded and unshielded installation cables, with mounting rail adaptor	Black

Part No.	Short name	Remarks	Colour
100023273	VM 8-8 Cat.7 _A	Module for shielded and unshielded installation cables	Black

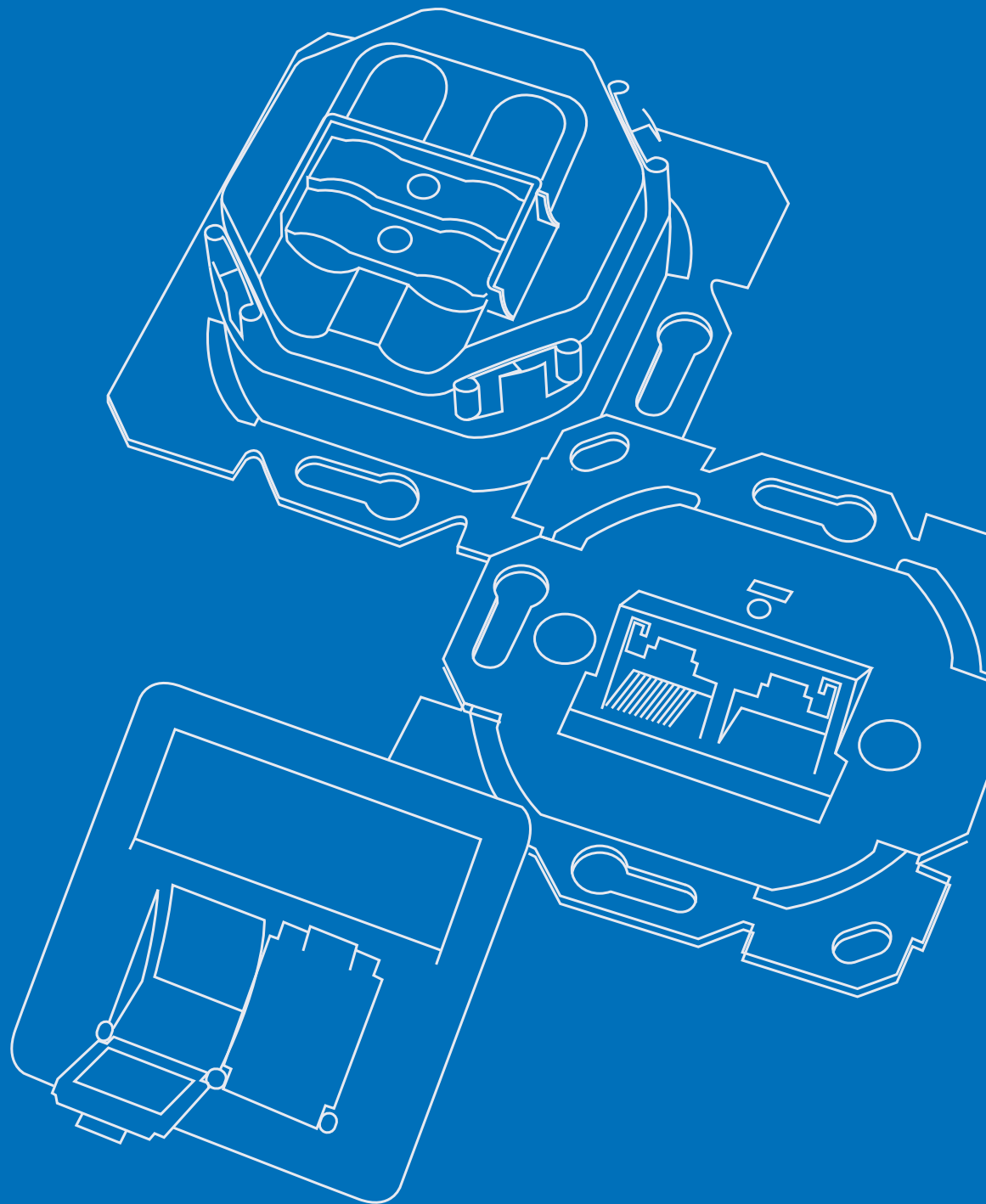


Part No.	Short name	Remarks	Colour
100023276	Multi 12x VM 8-8 Cat.7 _A	19" 0.5U Multi connection module for 12x shielded and unshielded installation cables	Light grey RAL 7035



Part No.	Short name	Remarks	Colour
100023275	Multi 6x VM 8-8 Cat.7 _A	Wall box for 6x shielded and unshielded installation cables	Light grey RAL 7035

MODULAR COPPER OUTLETS



MODULAR COPPER OUTLETS



11.1	Modules/Couplers	126
11.1.1	AMJ-SL Module.....	126
11.1.2	AMJ-S Module.....	127
11.1.3	AMJ Module K.....	128
11.1.4	AMJ Module Cat.8.1.....	128
11.1.5	AMJ Coupler K.....	129
11.1.6	UMJ-SL Module.....	130
11.1.7	UMJ Coupler.....	130
11.2	Applications	131
11.2.1	UP50.....	131
11.2.2	UP0.....	133
11.2.3	AP.....	136
11.2.4	UF.....	140
11.2.5	TS45.....	141

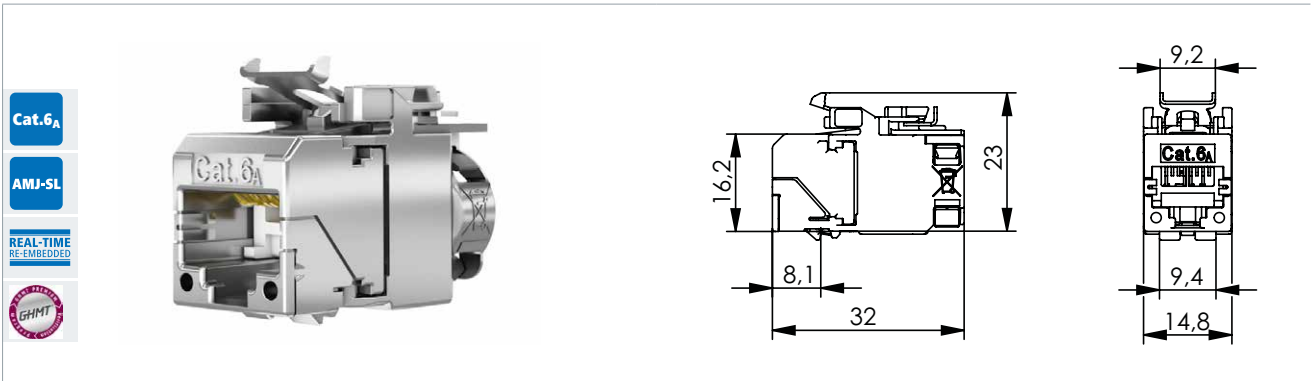
	AMJ-SL Module Cat.6 _A	AMJ Module Cat.8.1	AMJ-S Module Cat.6 _A	AMJ Module K	AMJ Coupler K	UMJ-SL Module Cat.6 _A	
Standards							
Connectors	IEC 60603-7-51					IEC 60603-7-41	
Mechanical Characteristics							
Insertion force	≤ 30 N	≤ 30 N	≤ 30 N	≤ 30 N	≤ 30 N	≤ 30 N	
Life (mating cycles RJ45, RJ12, RJ11)	≥ 750	≥ 750	≥ 750	≥ 750	≥ 750	≥ 750	
Material: housing	Zinc die-cast Ni plated	Zinc die-cast Ni plated	Zinc die-cast Ni plated	Zinc die-cast	Zinc die-cast	PC UL94 V0	
Material: snap-fit	Zinc die-cast	-	Spring steel	PC UL94 V0	Zinc die-cast	-	
Material: shield	German silver	Phosphorous bronze		German silver		-	
Material: insulators	PC UL94 HB	PBT UL94 HB natur	PC UL94 HB	PBT	PA	PC UL94 HB	
Material: PCB	FR4 UL94 V0	FR4					
Material: contact spring	Bronze gold plated	Spring steel				Bronze gold plated	
Material: contact IDC termination	Bronze tinned	CuNi2Si	CuNi2Si	CuNi2Si	-	Tin plated	
CU-Conductor diameter: solid	0.41 - 0.64 mm AWG 26/1 - AWG 22/1	0.54-0.64 mm AWG23/1 - AWG22/1	0.41 - 0.64 mm AWG 26/1 - AWG 22/1	0.41 - 0.64 mm AWG 26/1 - AWG 22/1	-	0.41 - 0.64 mm AWG 26/1 - AWG 22/1	
CU-Conductor diameter: stranded	0.46 - 0.76 mm AWG 27/7 - AWG 22/7	-	0.46 - 0.76 mm AWG 27/7 - AWG 22/7	0.46 - 0.76 mm AWG 27/7 - AWG 22/7	-	0.46 - 0.76 mm AWG 27/7 - AWG 22/7	
Material: cable clamp	PC UL94 V0	-	PC UL94 V0	-	-	-	
Core diameter	0.9 - 1.6 mm	1.0 - 1.6 mm	0.9 - 1.6 mm			0.9 - 1.6 mm	
Cable diameter	max. 9 mm	max. 10 mm	max. 9 mm	max. 9 mm	-	max. 9 mm	
Environmental Requirements							
Ambient temperature	-40 °C to +70 °C	-40 °C to +70 °C	-40 °C to +85 °C	-40 °C to +70 °C	-40 °C to +70 °C	-40 °C to +70 °C	
Electrical Characteristics							
Contact resistance	≤ 20 mΩ	≤ 20 mΩ	≤ 20 mΩ	≤ 20 mΩ	≤ 20 mΩ	≤ 20 mΩ	
Isulation resistance	≥ 500 MΩ	≥ 500 MΩ	≥ 500 MΩ	≥ 500 MΩ	≥ 500 MΩ	≥ 500 MΩ	
Voltage proof: contact-contact	≥ 1000 V, DC	≥ 1000 V, DC	≥ 1000 V, DC	≥ 1000 V, DC	≥ 1000 V, DC	≥ 1000 V, DC	
Voltage proof: contact-shield	≥ 1500 V, DC	≥ 1500 V, DC	≥ 1500 V, DC	≥ 1500 V, DC	≥ 1000 V, DC	-	
Current carrying capacity at 50 °C	1A	1A	1A	1A	1A	1A	
PoE+ acc to IEEE 802.3at	Adequate for Power over Ethernet+						
4PPoE acc to IEEE 802.3bt	Adequate for 4 Pair Power over Ethernet	Adequate for 4 Pair Power over Ethernet	Adequate for 4 Pair Power over Ethernet	Adequate for 4 Pair Power over Ethernet	-	Adequate for 4 Pair Power over Ethernet	
Transmission Characteristics							
Category 6 _A (component)	ISO/IEC 11801-1, EN 50173-1					-	-
Class E _A (permanent link)	ISO/IEC 11801-1, EN 50173-1					-	-
Class E _A (channel)	ISO/IEC 11801-1, EN 50173-1						
Class E (channel with Coupler Cat.6)	-	-	-	-	ISO/IEC 11801-1, EN 50173-1		
Class D (channel mit Coupler Cat.5e)	-	-	-	-	ISO/IEC 11801-1, EN 50173-1		
Gigabit Ethernet	Fulfilled	Fulfilled	Fulfilled	Fulfilled	Fulfilled	Fulfilled	
10 Gigabit Ethernet	Fulfilled	Fulfilled	Fulfilled	Fulfilled	Fulfilled	Fulfilled	
UL	-	-	fulfilled	-	-	-	
PVP	Yes	-	-	-	-	-	

11 MODULAR COPPER OUTLETS

11.1 Modules/Couplers

11.1.1 AMJ-SL Module

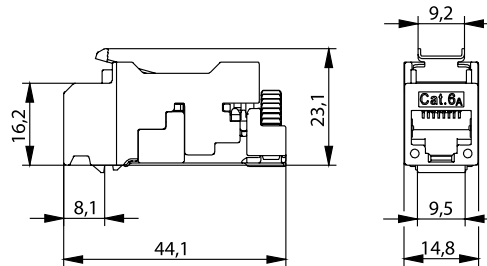
- Extremely short overall length of only 32 mm
- Made in Stuttgart
- PVP certificate
- Safe Lock
- Type Approval Component Category 6_A, certified by GHMT, all electrical values above those required by the standard for Cat.6_A high planning reliability
- Captive cable strain relief
- Compatible with faceplates of leading manufacturers
- 360° shielding due to refined zinc die-cast housing and metallic snap-in hooks
- Cardboard packaging
- Detailed assembly instructions and assembly video can also be called up on the move via QR code
- Easy & fast assembly without special tools
- Suitable for 4 Pair Power over Ethernet
- ≥ 750 mating cycles with RJ45/RJ11/RJ12



Part No.	Short name	Remarks	Type
100023207	AMJ-SL Module Cat.6 _A , T568A	Tool-free connectivity, suitable for RJ45/11/12 plugs	Pack of 6 x 2
100023208	AMJ-SL Module Cat.6 _A , T568B	Tool-free connectivity, suitable for RJ45/11/12 plugs	Pack of 6 x 2
100023209	AMJ-SL Module Cat.6 _A , T568A	Tool-free connectivity, suitable for RJ45/11/12 plugs	Pack of 12
100023210	AMJ-SL Module Cat.6 _A , T568B	Tool-free connectivity, suitable for RJ45/11/12 plugs	Pack of 12

- Cat.6_A acc. to IEC 60603-7-51
- Cat.6_A re-embedded tested acc. to IEC 60512-27-100
- Link certificate: Class E_A acc. to ISO/IEC 11801
- 10 Gigabit Ethernet compliant (IEEE 802.3an)
- ≥ 750 mating cycles with RJ45/RJ11/RJ12 plugs
- Suitable for 4 Pair Power over Ethernet

- Fits into faceplates of leading manufacturers manufacturers with design capable faceplate AMJ-S Up/0 flex
- Integrated strain relief for cable O.D. to 9 mm
- Universal, world-wide available installation dimension for mounting cut-outs: 19.3 x 14.7 mm

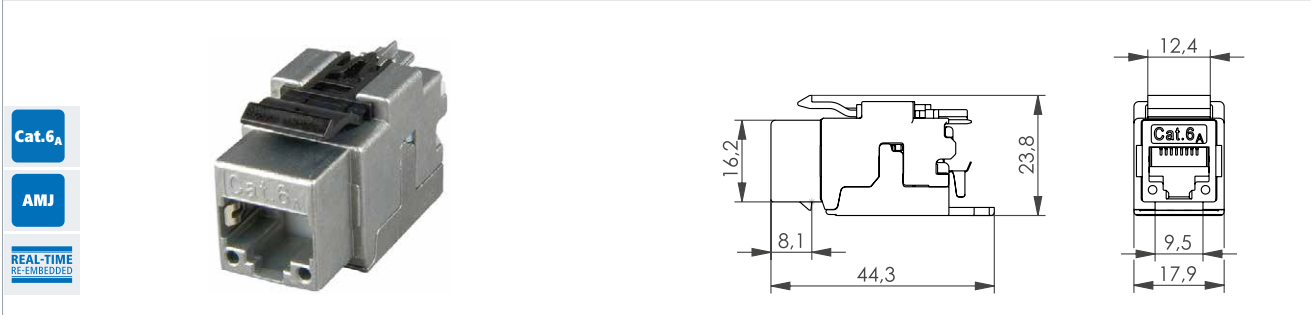


Part No.	Short name	Remarks	Type	Mount. dim.
100023196	AMJ-S Module Cat.6 _A T568A	Tool-free connectivity, suitable for RJ45/11/12 plugs	Pack of 6 x 2	Z121
100023197	AMJ-S Module Cat.6 _A T568B	Tool-free connectivity, suitable for RJ45/11/12 plugs	Pack of 6 x 2	Z121
100023198	AMJ-S Module Cat.6 _A T568A	Tool-free connectivity, suitable for RJ45/11/12 plugs	Blister pack of 24	Z121
100023199	AMJ-S Module Cat.6 _A T568B	Tool-free connectivity, suitable for RJ45/11/12 plugs	Blister pack of 24	Z121
100023205	AMJ-S DD Module Cat.6 _A T568A	Tool-free connectivity, suitable for RJ45/11/12 plugs; integrated protection against damage of contacts by means of automatic defined release of connection	Pack of 6 x 2	Z121
100023206	AMJ-S DD Module Cat.6 _A T568B	Tool-free connectivity, suitable for RJ45/11/12 plugs; integrated protection against damage of contacts by means of automatic defined release of connection	Pack of 6 x 2	Z121

11 MODULAR COPPER OUTLETS

11.1.3 AMJ Module K

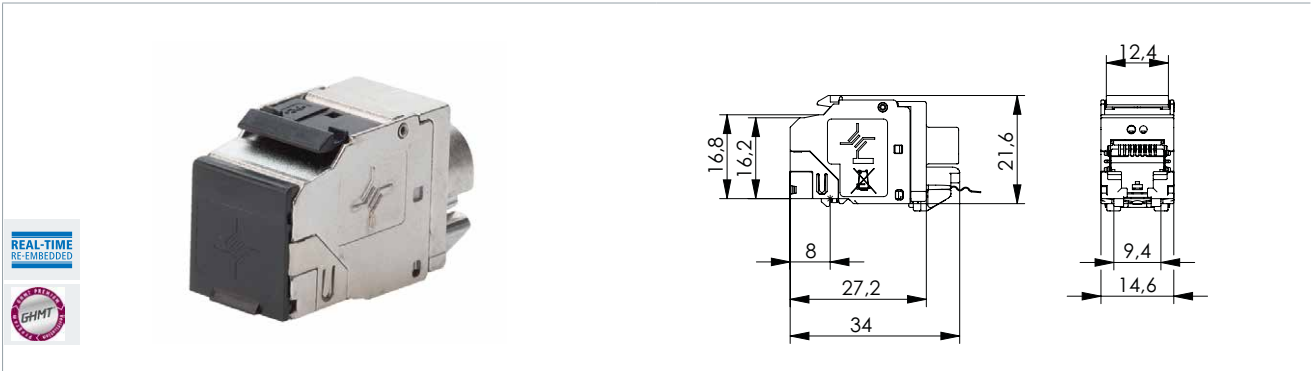
- Cat.6_A acc. to IEC 60603-7-51
- Link certificate: Class E_A acc. to ISO/IEC 11801-1
- 10 Gigabit Ethernet compliant (IEEE 802.3an)
- ≥ 750 mating cycles with RJ45/RJ11/RJ12 plugs
- Suitable for 4 Pair Power over Ethernet
- Integrated strain relief for cable O.D. to 9 mm
- Universal, world-wide available installation dimension for mounting cut-outs: 19.3 x 14.7 mm



Part No.	Short name	Remarks	Type	Mount. dim.
100023225	AMJ Module K Cat.6 _A T568A	Tool-free connectivity, suitable for RJ45/11/12 plugs	Pack of 6 x 2	Z121
100023173	AMJ Module K Cat.6 _A T568B	Tool-free connectivity, suitable for RJ45/11/12 plugs	Pack of 6 x 2	Z121
100023231	AMJ Module K Cat.6 _A T568A	Tool-free connectivity, suitable for RJ45/11/12 plugs	Blister pack of 24	Z121
100023215	AMJ Module K Cat.6 _A T568B	Tool-free connectivity, suitable for RJ45/11/12 plugs	Blister pack of 24	Z121

11.1.4 AMJ Module Cat.8.1

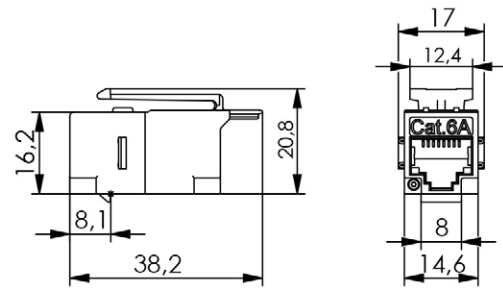
- Category 8.1/Class I according to ISO/IEC 11801-1
- 25/40GBASE-T acc. to IEEE 802.3bq
- Backward compatible to class E_A according to ISO/IEC 11801-1 (permanent link up to 90 m and channel up to 100 m)
- ≥ 750 mating cycles with RJ45/RJ11/RJ12
- Material shielding housing: zinc die-cast nickel plated
- Suitable for 4 Pair Power over Ethernet
- IP20



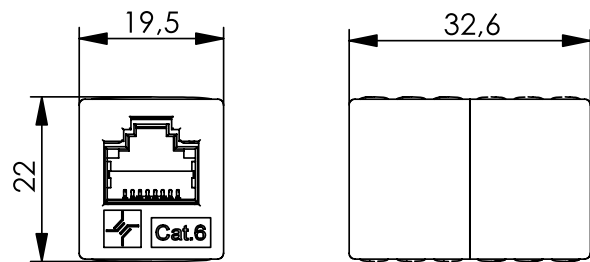
Part No.	Short name	Remarks
100023211	AMJ Module Cat.8.1 T568A/B	RJ45 module featuring full-metal cable clamp Most suited for assembly with installation cables Cat.8.1/Cat.8.2

AMJ Coupler K

11.1.5

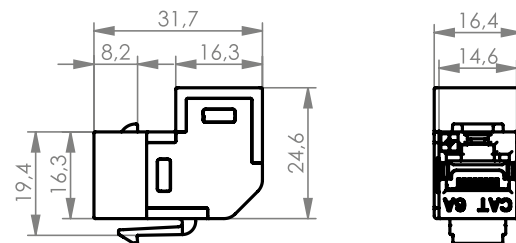


Part No.	Short name	Remarks	Type	Mount. dim.
100023165	AMJ Coupler K Cat.6A, f-f	Suitable for RJ45/11/12 plugs	Pack of 4	Z121
100023227	AMJ Coupler K Cat.5e, f-f	Suitable for RJ45/11/12 plugs	Pack of 4	Z121
100023213	AMJ Coupler K Cat.6A, f-f	Suitable for RJ45/11/12 plugs	Blister pack of 24	Z121
100023233	AMJ Coupler K Cat.5e, f-f	Suitable for RJ45/11/12 plugs	Blister pack of 24	Z121



Part No.	Short name	Remarks	Description	Colour
100023166	AMJ Coupler K Cat.6A insulated, f-f*	Suitable for RJ45/11/12 plugs	Suitable for Class E _A channel, 10 Gigabit Ethernet	Alpine white
100023228	AMJ Coupler K Cat.5e, insulated, f-f*	Suitable for RJ45/11/12 plugs	Suitable for Class E channel, 1 Gigabit Ethernet	Alpine white

*stand-alone coupler for patch cords, no snap-in mounting

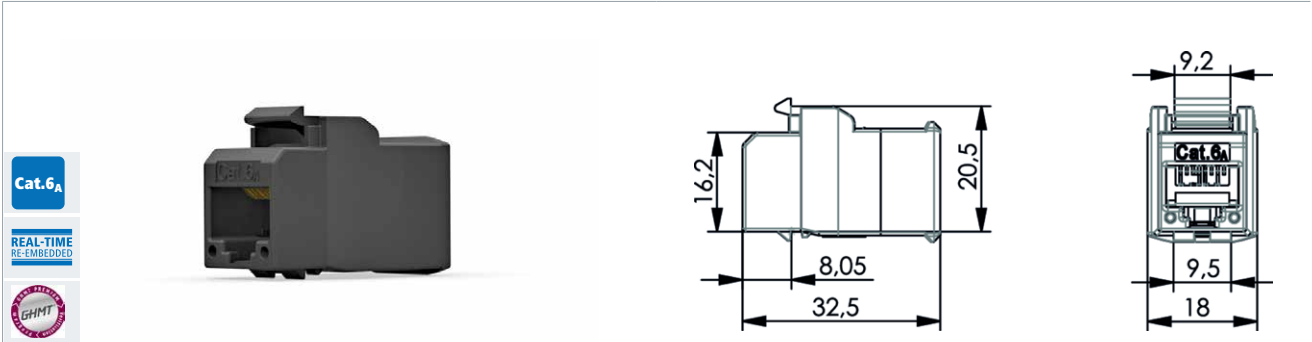


Part No.	Short name	Remarks	Description
100023195	AMJ Coupler 90° Cat.6A	Suitable for RJ45/11/12 plugs	Suitable for Class E _A channel, 10 Gigabit Ethernet

11 MODULAR COPPER OUTLETS

11.1.6 UMJ-SL Module

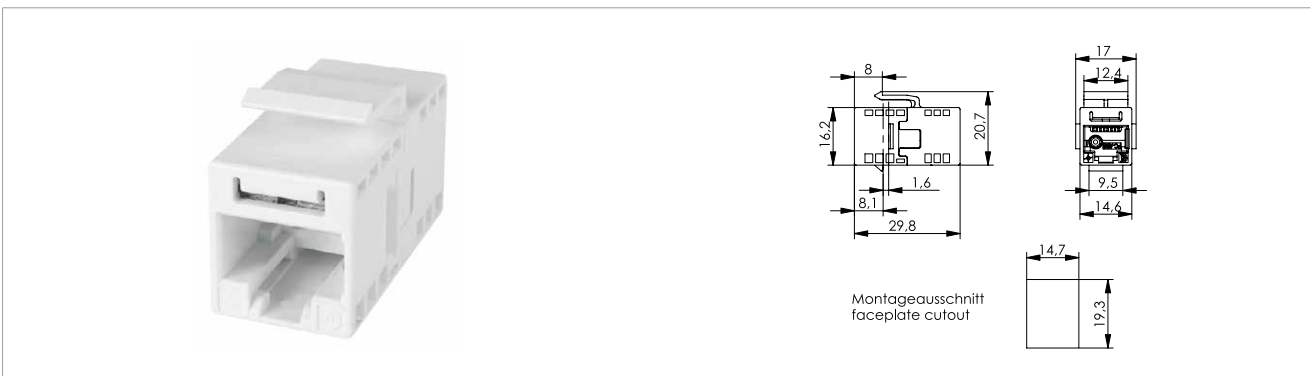
- Cat.6_A acc. to IEC 60603-7-41
- Made in Stuttgart
- Link certificate: Class E_A acc. to ISO/IEC 11801
- Suitable for 4 Pair Power over Ethernet
- Integrated strain relief for cable O.D. to 9 mm
- ≥ 750 mating cycles with RJ45/RJ11/RJ12 plugs
- Fits into faceplates of leading manufacturers manufacturers with design capable faceplate AMJ-5 Up/0 flex
- Universal, world-wide common installation dimension for mounting cut-outs: 19.3 x 14.7 mm



Part No.	Short name	Remarks	Type
100034491	UMJ-SL Module Cat.6 _A T568A	Tool-free connectivity, suitable for RJ45/11/12 plugs	Pack of 6 x 2
100034493	UMJ-SL Module Cat.6 _A T568B	Tool-free connectivity, suitable for RJ45/11/12 plugs	Pack of 6 x 2
100042431	UMJ-SL Module Cat.6 _A T568A	Tool-free connectivity, suitable for RJ45/11/12 plugs	Blister pack of 24
100042316	UMJ-SL Module Cat.6 _A T568B	Tool-free connectivity, suitable for RJ45/11/12 plugs	Blister pack of 24

11.1.7 UMJ Coupler

- Class E_A permanent link according to ISO/IEC 11801/EN 50173-1 (not Cat.5e and USB)
- Unshielded
- 10 Gigabit Ethernet suitable (IEEE 802.3an)
- Universal, worldwide common mounting dimension for mounting cutouts 19.3 x 14.7 mm
- Fully automatically produced Class E_A 500 RJ45-core for consistently high quality standard



Part No.	Short name	Remarks	Type	Mount. dim.
100023229	UMJ Coupler K Cat.5e, f-f	Suitable for RJ45/11/12 plugs	Pack of 4	Z121
100023234	UMJ Coupler K Cat.5e, f-f	Suitable for RJ45/11/12 plugs	Blister pack of 24	Z121
100023168	UMJ Coupler K Cat.6, f-f	Suitable for RJ45/11/12 plugs	Pack of 4	Z121
100023214	UMJ Coupler K Cat.6, f-f	Suitable for RJ45/11/12 plugs	Blister pack of 24	Z121

Applications

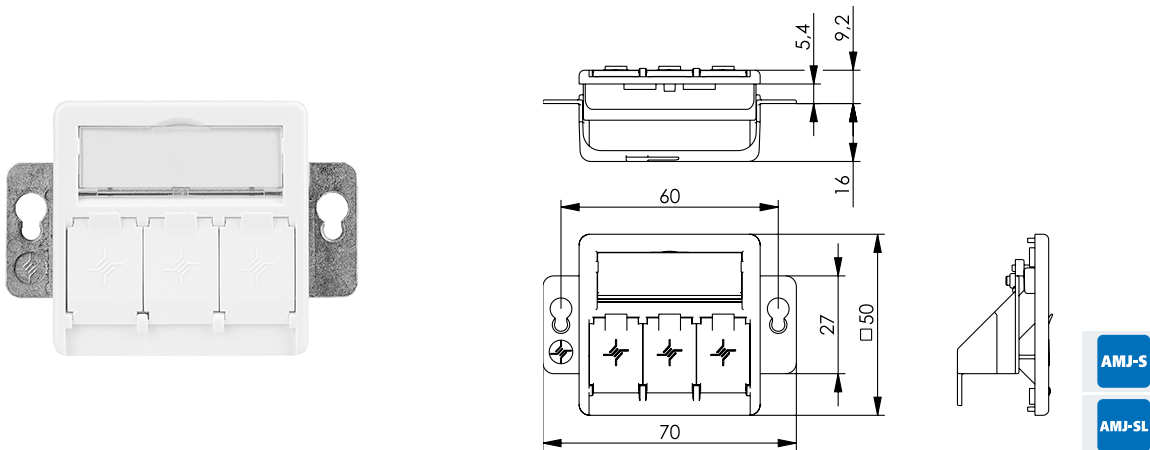
11.2

UP50

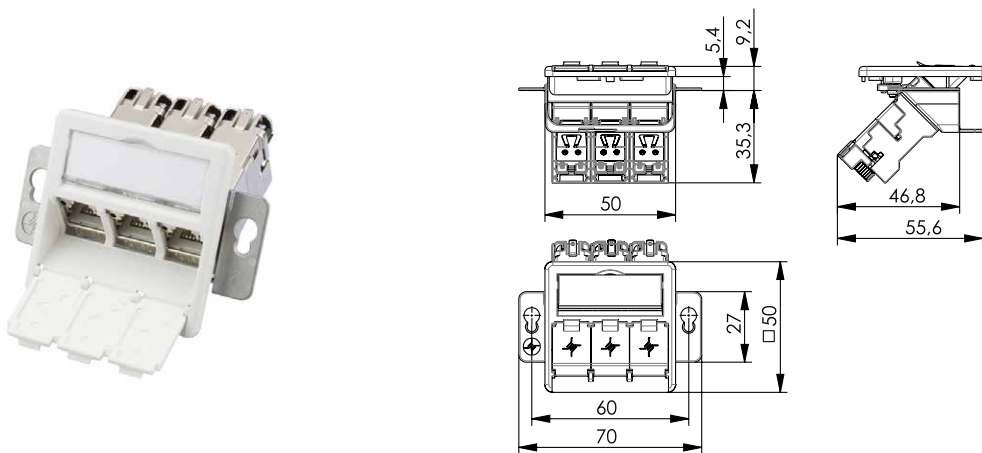
11.2.1

- Cat.6_A acc. to IEC 60603-7-51
- Link certificate: Class E_A acc. to ISO/IEC 11801
- 10 Gigabit Ethernet compliant (IEEE 802.3an)
- ≥ 750 mating cycles with RJ45/RJ11/RJ12 plugs
- Suitable for 4 Pair Power over Ethernet
- Integrated strain relief for cable O.D. to 9 mm

- Fits into faceplates of leading manufacturers with design capable faceplate AMJ-S Up/0 flex
- Universal, world-wide common installation dimension for mounting cut-outs: 19.3 x 14.7 mm
- AMJ-S DD: with integrated protection against damage to the contacts by automatic disconnection of the plug connection



Part No.	Short name	Remarks	Colour
100021419	Design capable triple outlet module carrier AMJ-S UP/50 flex without AMJ-S(L) modules	For cable duct and subfloor, not for use in flush-mounting boxes with installation opening of 58 mm; mating direction 45°	Alpine white



Part No.	Short name	Remarks	Type
100022966	Design capable module carrier AMJ-S triple outlet UP/50 flex	For cable duct and subfloor, not for use in flush-mounting boxes with installation opening of 58 mm; mating direction 45°	Module carrier incl. 3 AMJ-S modules Cat.6 _A T568A, compatible with covers of leading manufacturers*
100022967	Design capable module carrier AMJ-S triple outlet UP/50 flex	For cable duct and subfloor, not for use in flush-mounting boxes with installation opening of 58 mm; mating direction 45°	Module carrier incl. 3 AMJ-S modules Cat.6 _A T568B, compatible with covers of leading manufacturers*

11.2.1

*you can find a list of matching covers of various manufacturers at www.telegaertner.com in the Downloads section.

11 MODULAR COPPER OUTLETS

11.2.1

UP50



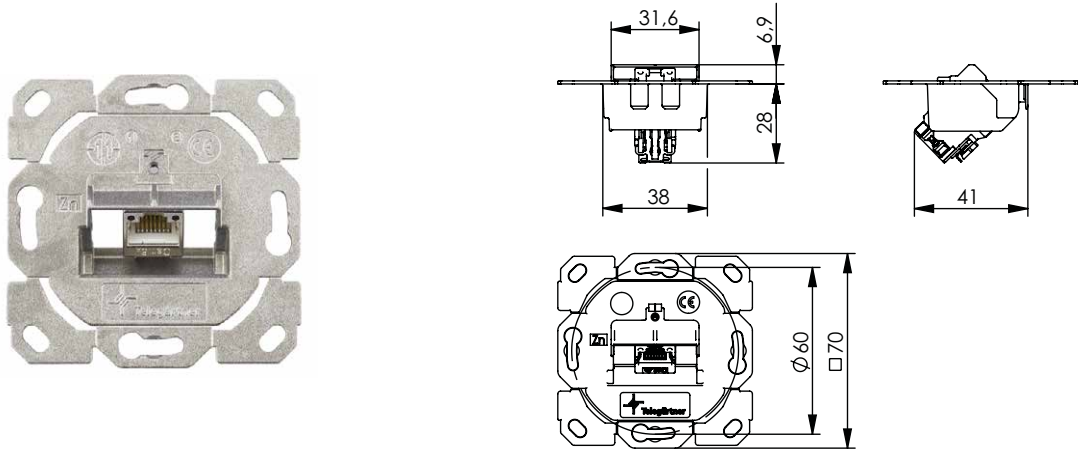
► Part No.	Short name	Type	Colour
100022974	Module carrier AMJ-S DD single outlet UP/50	Module carrier incl. 1 AMJ-S DD Module Cat.6 _A T568A	Alpine white
100022975	Module carrier AMJ-S DD single outlet UP/50	Module carrier incl. 1 AMJ-S DD Module Cat.6 _A T568B	Alpine white



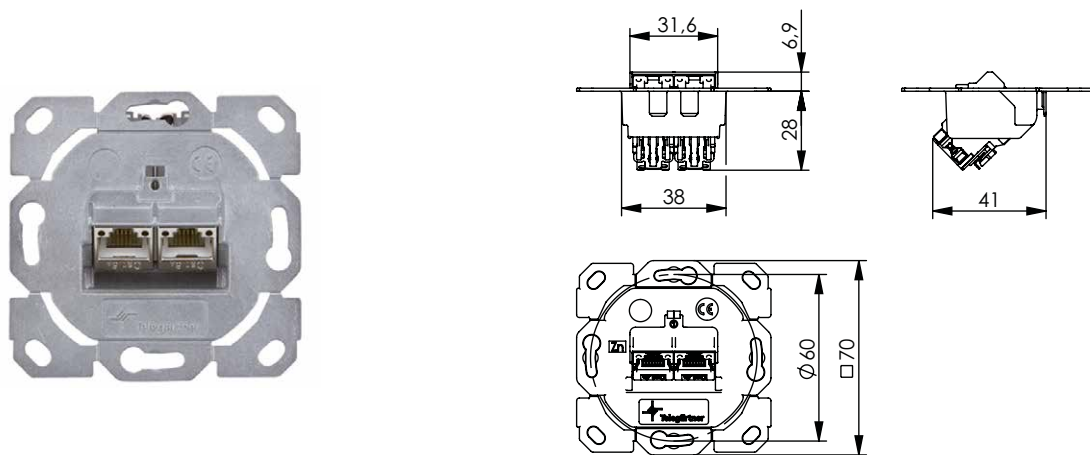
► Part No.	Short name	Type	Colour
100022976	Module carrier AMJ-S DD double outlet UP/50	Module carrier incl. 2 AMJ-S DD modules Cat.6 _A T568A	Alpine white
100022977	Module carrier AMJ-S DD double outlet UP/50	Module carrier incl. 2 AMJ-S DD modules Cat.6 _A T568B	Alpine white

- Cat.6_A acc. to IEC 60603-7-51
- Link certificate: Class E_A acc. to ISO/IEC 11801
- 10 Gigabit Ethernet compliant (IEEE 802.3an)
- ≥ 750 mating cycles with RJ45/RJ11/RJ12 plugs
- Suitable for 4 Pair Power over Ethernet
- Fits into faceplates of leading manufacturers with design capable

- faceplate AMJ-S Up/0 flex
- Integrated strain relief for cable O.D. to 9 mm
- Universal, world-wide common installation dimension for mounting cut-outs: 19.3 x 14.7 mm
- AMJ-S DD: with integrated protection against damage to the contacts by automatic disconnection of the plug connection



Part No.	Short name	Type
100022984	Design capable module carrier AMJ-SL single outlet UP/0 flex	Module carrier incl. 1 AMJ-SL module Cat.6 _A T568A, fits into faceplates of leading manufacturers*
100022985	Design capable module carrier AMJ-SL single outlet UP/0 flex	Module carrier incl. 1 AMJ-SL module Cat.6 _A T568B, fits into faceplates of leading manufacturers*



Part No.	Short name	Type
100022982	Design capable module carrier AMJ-SL double outlet UP/0 flex	Module carrier incl. 2 AMJ-SL modules Cat.6 _A T568A, fits into faceplates of leading manufacturers*
100022983	Design capable module carrier AMJ-SL double outlet UP/0 flex	Module carrier incl. 2 AMJ-SL modules Cat.6 _A T568B, fits into faceplates of leading manufacturers*

*you can find a list of matching covers of various manufacturers at www.telegaertner.com in the Downloads section.

11 MODULAR COPPER OUTLETS

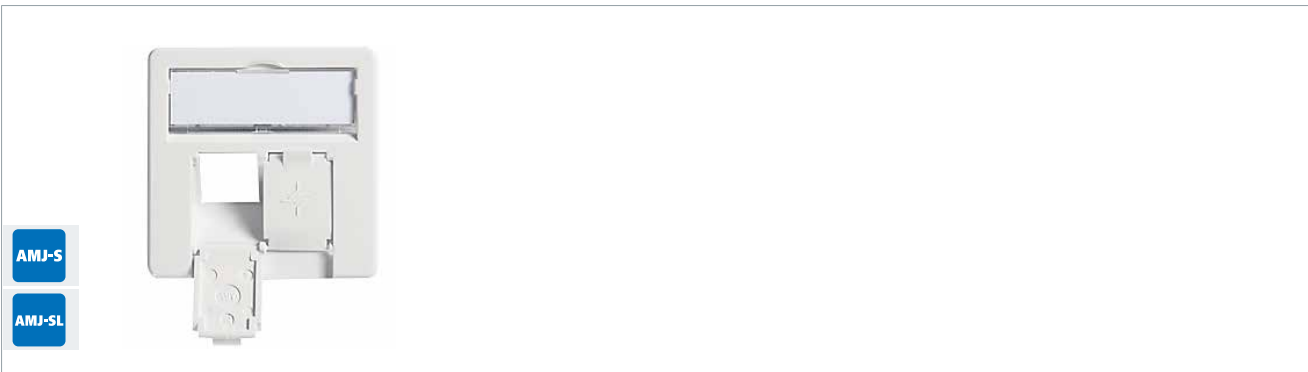
11.2.2

UP0



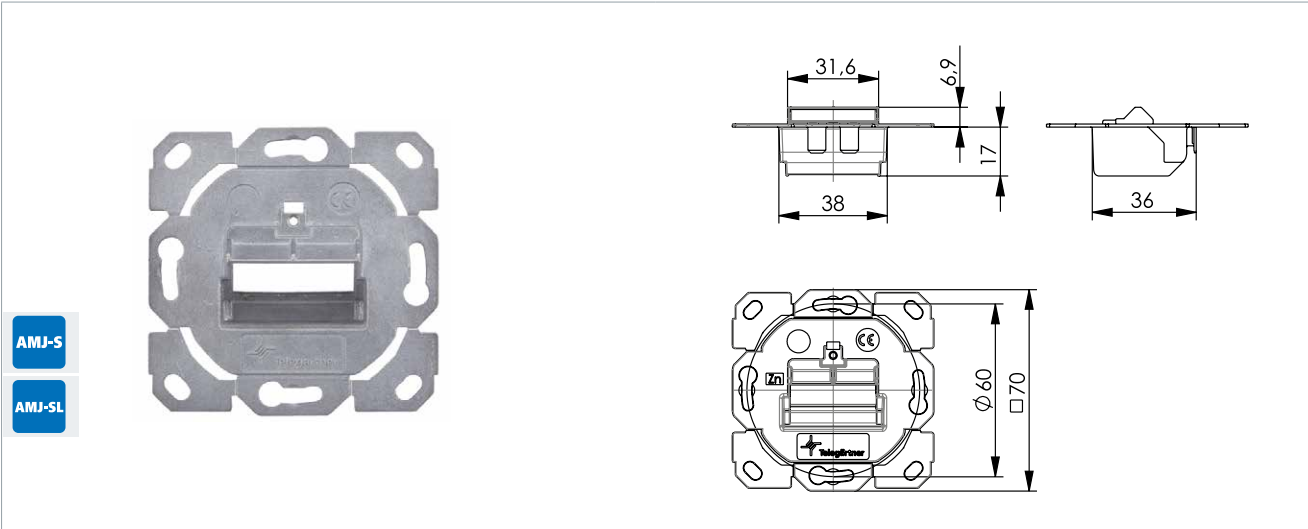
AMJ-S
AMJ-SL

Part No.	Short name	Colour
100020623	Faceplate 50 x 50 mm for AMJ45 8 UP/0 and design capable module carrier AMJ-S; with screw, transparent label field, cover and 1 protection flap	Alpine white



AMJ-S
AMJ-SL

Part No.	Short name	Colour
100020622	Faceplate 50 x 50 mm for AMJ45 8/8 UP/0 and design capable module carrier AMJ-S; with screw, transparent label field, cover and 2 protection flaps	Alpine white

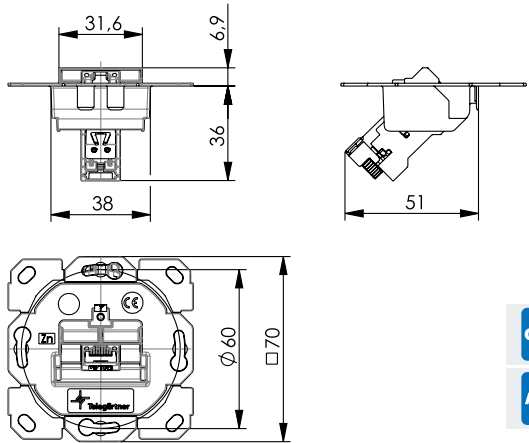


AMJ-S
AMJ-SL

Part No.	Short name	Type	Remarks
100021426	Design capable single and double outlet module carrier AMJ-S UP/0 flex	Single and double outlet module carrier without modules; compatible with faceplates of leading manufacturers*	Without modules; for cable duct, mating direction 45°

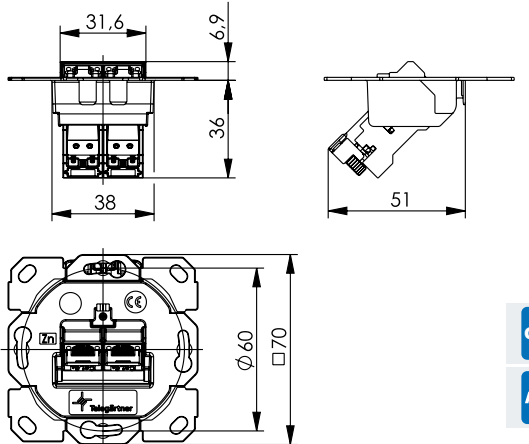
*you can find a list of matching covers of various manufacturers at www.telegaertner.com in the Downloads section.

MODULAR COPPER OUTLETS 11



Cat.6_A
AMJ-S

Part No.	Short name	Type	Remarks
100022968	Design capable module carrier AMJ-S single outlet UP/0 flex	Module carrier incl. 1 AMJ-S module Cat.6 _A T568A, compatible with faceplates of leading manufacturers*	For cable duct and underfloor, for flush-mounting installation special electronics boxes are required; mating direction 45°
100022969	Design capable module carrier AMJ-S single outlet UP/0 flex	Module carrier incl. 1 AMJ-S module Cat.6 _A T568B, compatible with faceplates of leading manufacturers*	For cable duct and underfloor, for flush-mounting installation special electronics boxes are required; mating direction 45°
100022978	design capable module carrier AMJ-S DD single outlet UP/0 flex	Module carrier incl. 1 AMJ-S DD module Cat.6 _A T568A, compatible with faceplates of leading manufacturers*	For cable duct and underfloor, for flush-mounting installation special electronics boxes are required; mating direction 45°
100022979	design capable module carrier AMJ-S DD single outlet UP/0 flex	Module carrier incl. 1 AMJ-S DD module Cat.6 _A T568A, compatible with faceplates of leading manufacturers*	For cable duct and underfloor, for flush-mounting installation special electronics boxes are required; mating direction 45°



Cat.6_A
AMJ-S

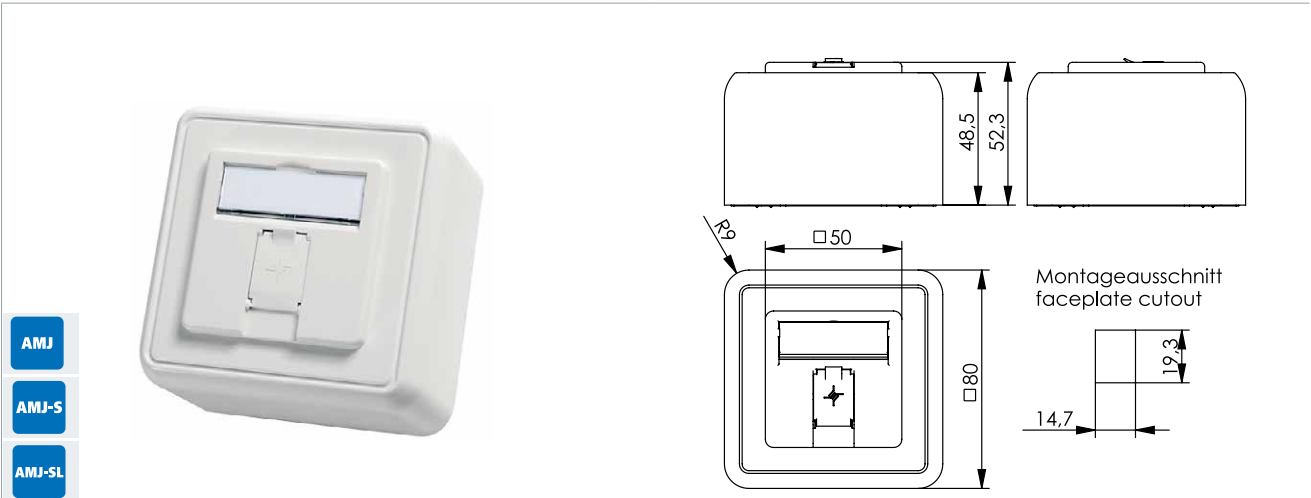
Part No.	Short name	Type	Remarks
100022964	Design capable module carrier AMJ-S double outlet UP/0 flex	Module carrier incl. 2 AMJ-S modules Cat.6 _A T568A, compatible with faceplates of leading manufacturers*	For cable duct and underfloor, for flush-mounting installation special electronics boxes are required; mating direction 45°
100022965	Design capable module carrier AMJ-S double outlet UP/0 flex	Module carrier incl. 2 AMJ-S modules Cat.6 _A T568B, compatible with faceplates of leading manufacturers*	For cable duct and underfloor, for flush-mounting installation special electronics boxes are required; mating direction 45°
100022980	Design capable module carrier AMJ-S DD double outlet UP/0 flex	Module carrier incl. 2 AMJ-S modules Cat.6 _A T568A, compatible with faceplates of leading manufacturers*	For cable duct and underfloor, for flush-mounting installation special electronics boxes are required; mating direction 45°
100022981	Design capable module carrier AMJ-S DD double outlet UP/0 flex	Module carrier incl. 2 AMJ-S modules Cat.6 _A T568B, compatible with faceplates of leading manufacturers*	For cable duct and underfloor, for flush-mounting installation special electronics boxes are required; mating direction 45°

*you can find a list of matching covers of various manufacturers at www.telegaertner.com in the Downloads section.

11 MODULAR COPPER OUTLETS

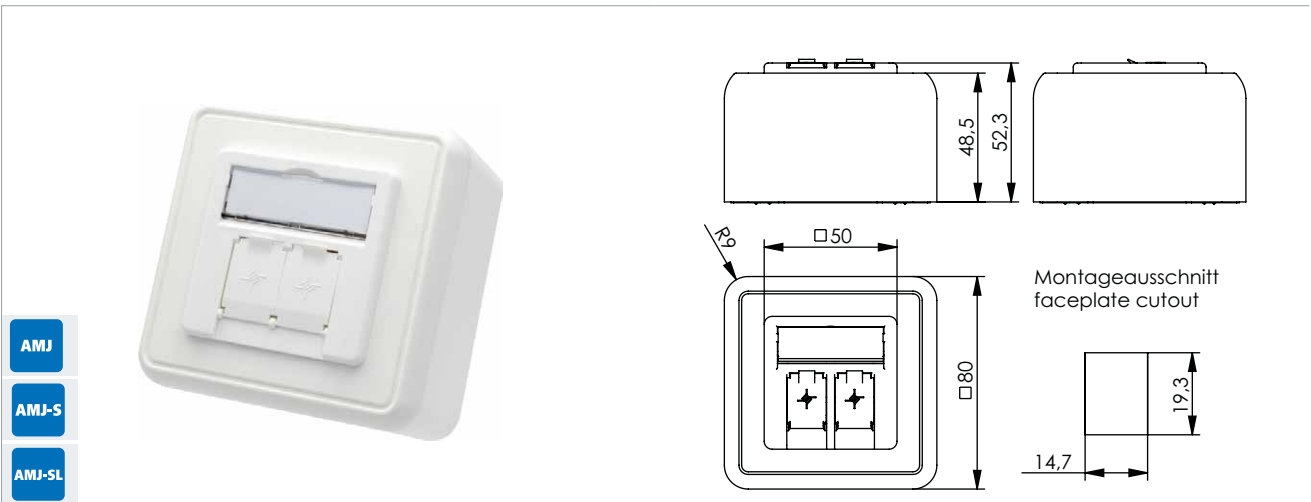
11.2.3

AP



- AMJ
- AMJ-S
- AMJ-SL

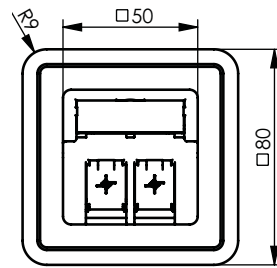
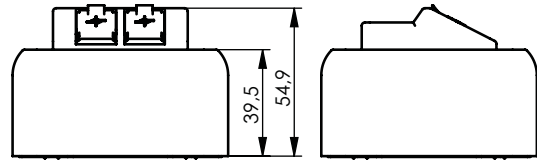
Part No.	Short name	Type	Remarks	Colour
100021381	Faceplate 80x80	Single outlet AP incl. module carrier, label field and shutter, without modules/couplers	Mating direction 45°	Alpine white



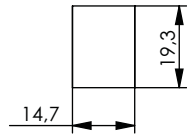
- AMJ
- AMJ-S
- AMJ-SL

Part No.	Short name	Type	Remarks	Colour
100021396	Faceplate 80x80	Double outlet AP incl. module carrier, label field and shutter, without modules/couplers	Faceplate 80x80	Alpine white

MODULAR COPPER OUTLETS 11

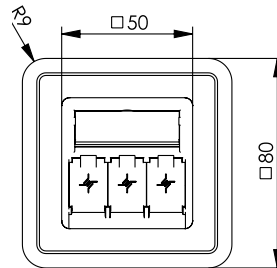
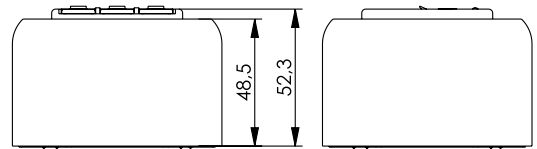


Montageausschnitt
faceplate cutout

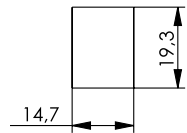


- AMJ
- AMJ-S
- AMJ-SL

Part No.	Short name	Type	Remarks	Colour
100021382	Faceplate 80x80, projecting	Double outlet AP incl. module carrier, label field and shutter, without modules/couplers	Mating direction 30°	Alpine white

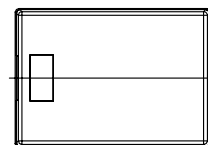
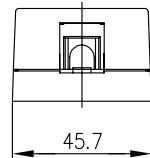
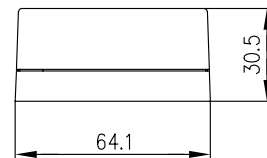


Montageausschnitt
faceplate cutout



- AMJ-S
- AMJ-SL

Part No.	Short name	Type	Remarks	Colour
100021385	Faceplate 80x80	Triple outlet AP incl. module carrier, label field and shutter, without modules/couplers	Mating direction 45°	Alpine white



- AMJ

Part No.	Short name	Type	Colour
100021366	Outlet 46x64	Single outlet surface mounting box, without modules/couplers	Alpine white

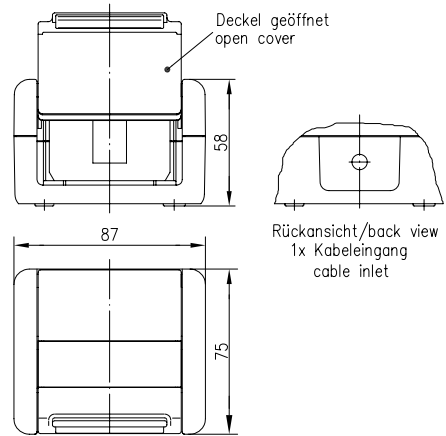
11 MODULAR COPPER OUTLETS

11.2.3

AP



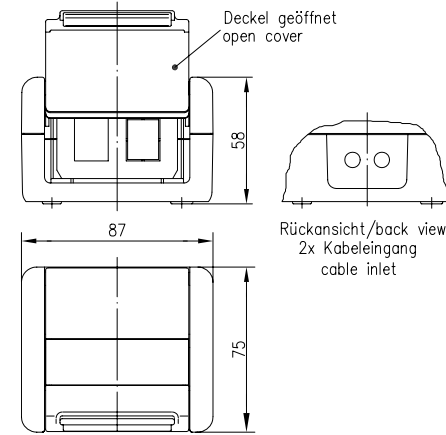
- AMJ
- AMJ-S
- AMJ-SL



Part No.	Short name	Type	Remarks	Colour
100021369	Outlet IP44 AP	Single outlet surface mounting box, without modules/couplers	For AMJ/UMJ modules and couplers	Grey



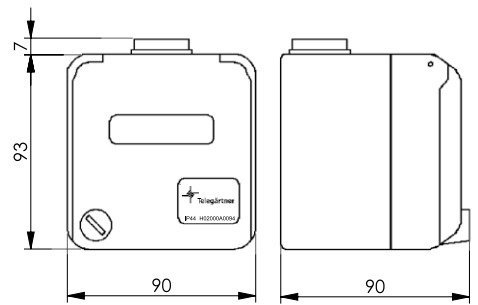
- AMJ
- AMJ-S
- AMJ-SL



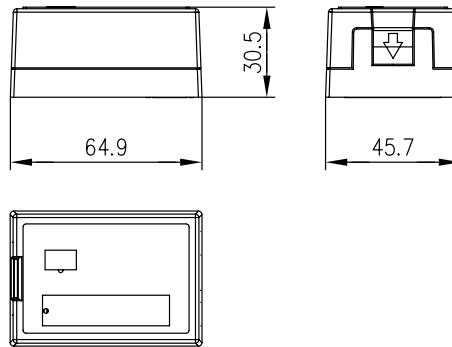
Part No.	Short name	Type	Remarks	Colour
100021370	Outlet IP44 AP	Double outlet surface mounting box, without modules/couplers	For AMJ/UMJ modules	Grey



- AMJ
- AMJ-S
- AMJ-SL

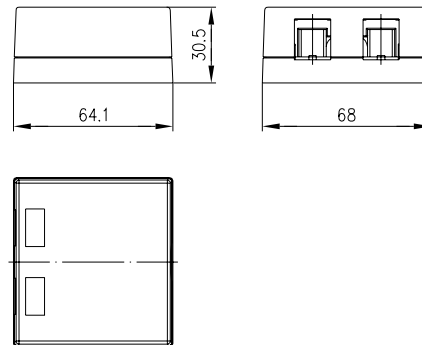


Part No.	Short name	Type	Remarks
100021383	Outlet IP44 with lock	Double outlet surface mounting box, without modules/couplers	Lockable



AMJ

Part No.	Short name	Type	Colour
100021371	Outlet 46x64	Single outlet surface mounting box incl. label field and shutter, without modules/couplers	Alpine white

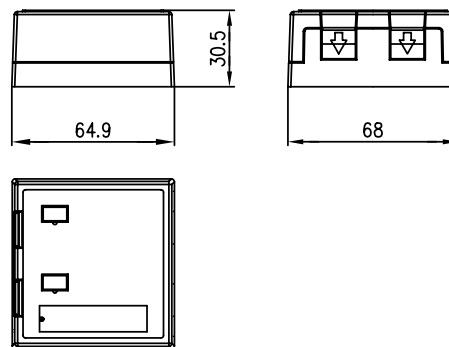


AMJ

AMJ-S

AMJ-SL

Part No.	Short name	Type	Colour
100021397	Outlet 68x64	Double outlet surface mounting box, without modules/couplers	Alpine white



AMJ

Part No.	Short name	Type	Colour
100021372	Outlet 68x64	Double outlet surface mounting box incl. label field and shutter, without modules/couplers	Alpine white

11.2.3

11 MODULAR COPPER OUTLETS

11.2.3 AP

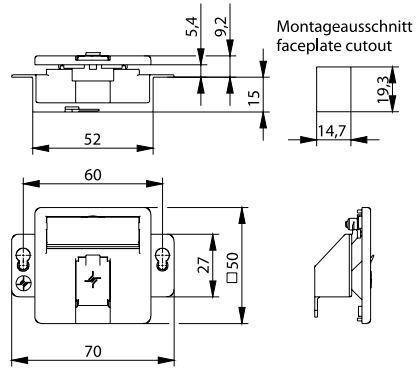


Part No.	Short name	Remarks
100021339	Cable gland M25x1.5; 2x8	For 2 cables 3-8 mm, grey

11.2.4 UF



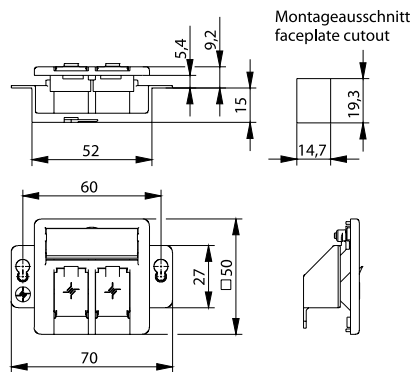
- AMJ
- AMJ-S
- AMJ-SL



Part No.	Short name	Type	Remarks	Colour
100021415	Faceplate 50x50	Single outlet UP/50 incl. module carrier, label field and shutter, without modules/couplers	For cable duct and subfloor, for flush-mounting installation special electronics boxes are required; mating direction 45°	Alpine white

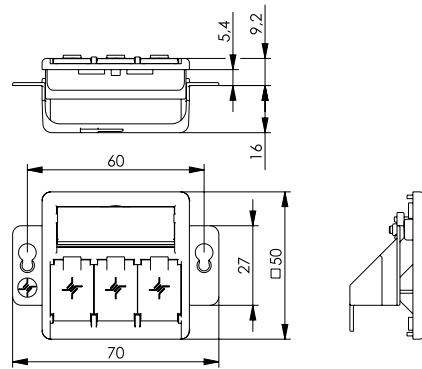


- AMJ
- AMJ-S
- AMJ-SL



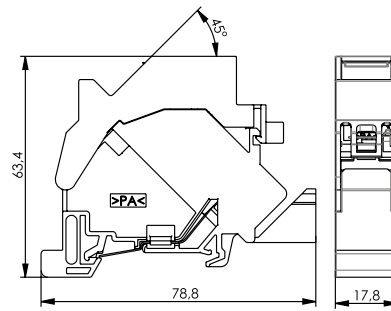
Part No.	Short name	Type	Remarks	Colour
100021416	Faceplate 50x50	Double outlet UP/50 incl. Module Carrier, label field and shutter, without modules/couplers	For cable duct and subfloor, for flush-mounting installation special electronics boxes are required; mating direction 45°	Alpine white

MODULAR COPPER OUTLETS 11

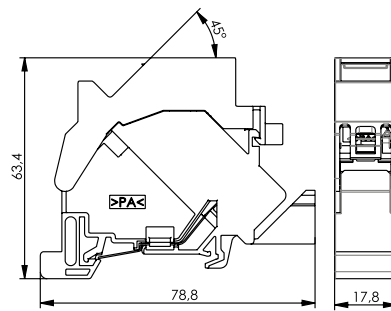


Part No.	Short name	Remarks
100021419	Design capable triple gang module carrier AMJ-S UP/50 flex without AMJ-S Modules	For cable duct and subfloor, not for use in flush-mounting boxes with installation opening of 58 mm; mating direction 45°

TS45 11.2.5



Part No.	Short name	Type	Remarks	Colour
100021379	Mounting Rail Outlet TS45	Empty	For mounting rail TH35	Light grey RAL 7035
100023003	Mounting Rail Outlet TS45 AMJ-S	Incl. AMJ-S Module Cat.6 _A T568A	For mounting rail TH35	Light grey RAL 7035
100023004	Mounting Rail Outlet TS45 AMJ-S	Incl. AMJ-S Module Cat.6 _A T568B	For mounting rail TH35	Light grey RAL 7035

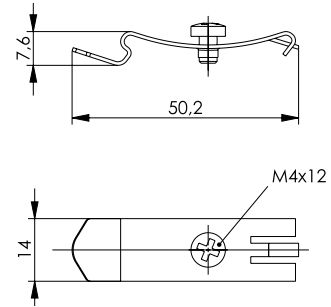


Part No.	Short name	Type	Remarks	Colour
100025691	Mounting Rail Outlet TS45 AMJ-SL	Incl. AMJ-SL Module Cat.6 _A T568A	For mounting rail TH35	Light grey RAL 7035
100025692	Mounting Rail Outlet TS45 AMJ-SL	Incl. AMJ-SL Module Cat.6 _A T568B	For mounting rail TH35	Light grey RAL 7035

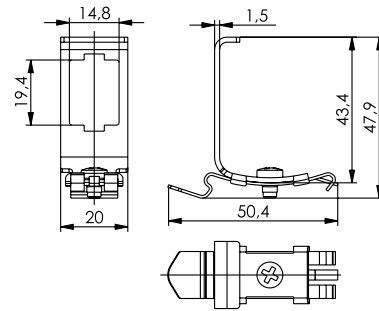
11.2.5

11 MODULAR COPPER OUTLETS

11.2.5 TS45



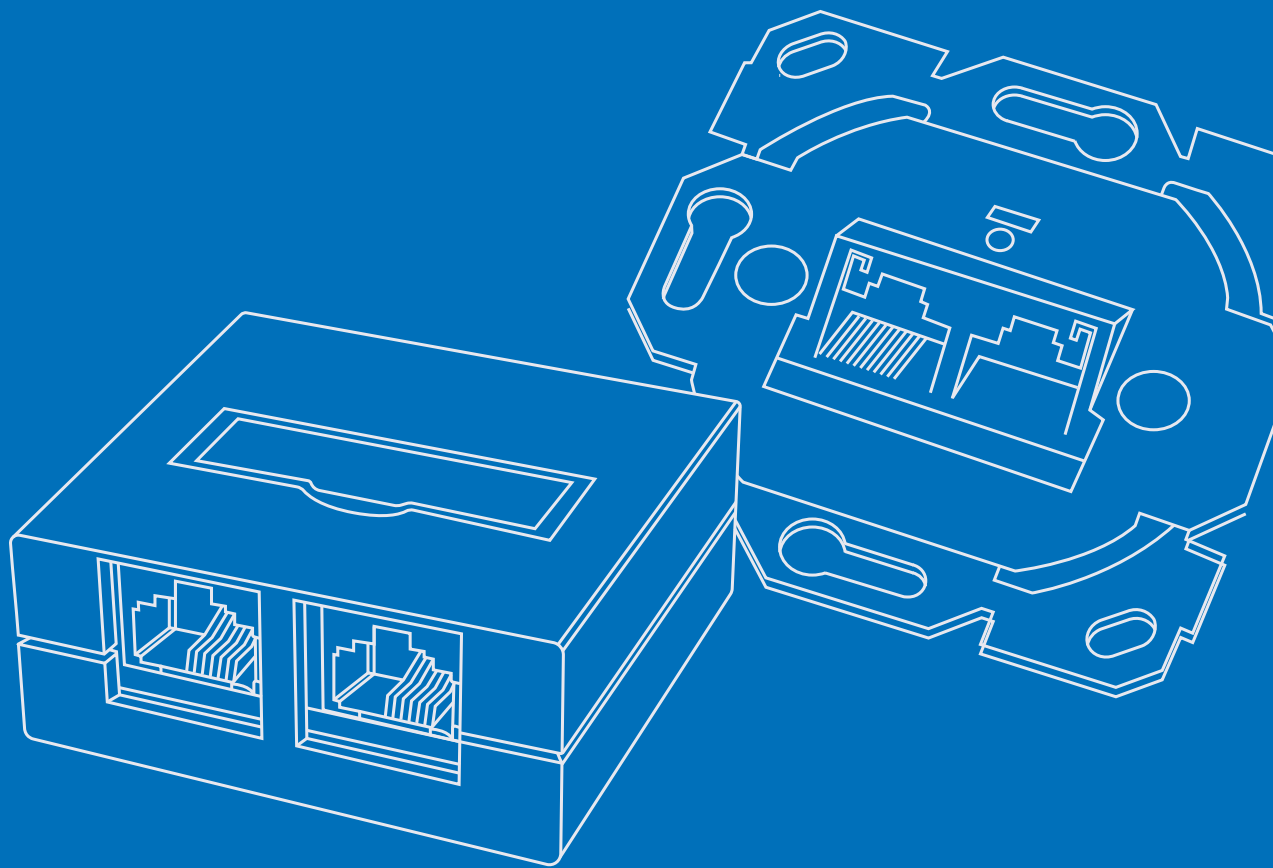
Part No.	Short name	Type	Remarks
100022650	Mounting set for mounting rail adaptor	Metal	For mouting rail TH35, e.g. for MPD6, MPD8, MPD12



Part No.	Short name	Type	Remarks
100022668	Mounting rail adaptor	Metal, without modules/couplers	For mounting rail TH35

12

LSA COPPER OUTLETS



LSA COPPER OUTLETS



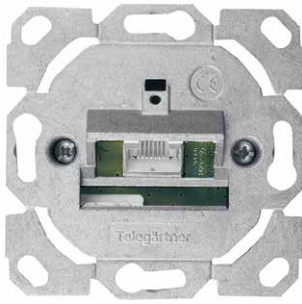
12.1	AMJ45.....	146
12.2	VAD.....	151

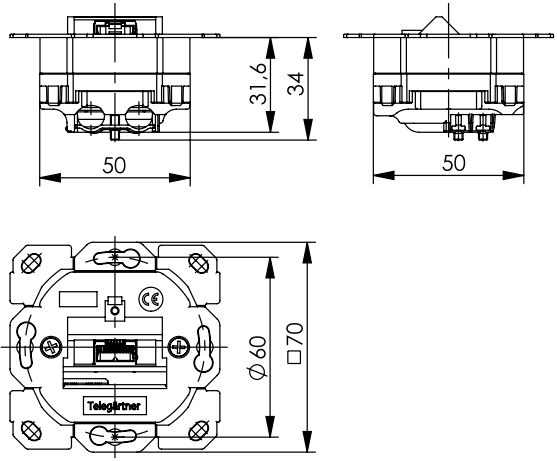
	AMJ45	VAD
Standards		
Connectors	IEC 60603-7-51 / -7-3	IEC 60603-7-51
Mechanical Characteristics		
Insertion force	≤ 30 N	≤ 30 N
Durability (mating cycles)	≥ 750	≥ 750
Material: housing	Zinkdruckguss	ABS
Material: insulators	PA, PBT, ABS, PC	PBT, ABS, PC
Material: PCB	FR4	FR4
Material: PCB finish	Tin plated	Tin plated
Material: contact spring	CuSn, spring steel	CuSn, spring steel
Material: contact spring finish	Min. 0.8 µm Au over 1.2 µm Ni	Min. 0.8 µm Au over 1.2 µm Ni
Material: contact IDC termination	CuZn	CuZn
Material: IDC termination finish	Tin plated	Tin plated
LSA Plus: Cu conductor diameter	Solid 0.41 - 0.64 mm AWG 26/1 - AWG 22/1	Solid 0.41 - 0.64 mm AWG 26/1 - AWG 22/1
LSA Plus: Wire diameter	0.7 - 1.6 mm	0.7 - 1.6 mm
Environmental Requirements		
Ambient temperature	-40 °C to +70 °C	-40 °C to +70 °C
Electrical Characteristics		
Contact resistance	≤ 20 mΩ	≤ 20 mΩ
Insulation resistance	≥ 500 MΩ	≥ 500 MΩ
Voltage proof: contact-contact	≥ 1000 V, DC	≥ 1000 V, DC
Voltage proof: contact-shield	≥ 1500 V, DC	≥ 1500 V, DC
Current carrying capacity at 50 °C	1A	1A
PoE+ acc to IEEE 802.3at	Adequate for Power over Ethernet+	Adequate for Power over Ethernet+
4PPoE acc to IEEE 802.3bt	Adequate for 4 Pair Power over Ethernet	Adequate for 4 Pair Power over Ethernet
Transmission Characteristics		
Category 6A (component) for products Cat.6A	ISO/IEC 11801-1, EN 50173-1	-
Class E _A (permanent link) for products Cat.6A, Cat.6A, Class E _A 500	ISO/IEC 11801-1, EN 50173-1	ISO/IEC 11801-1, EN 50173-1
Class E _A (channel) for products Cat.6A, Cat.6A, Class E _A 500	ISO/IEC 11801-1, EN 50173-1	ISO/IEC 11801-1, EN 50173-1
Gigabit Ethernet acc. to IEEE 802.3	for Cat.5	-
10 Gigabit Ethernet acc. to IEEE 802.3an	for Cat.6A, Class E _A 500	Class E _A 500



12 LSA COPPER OUTLETS

12.1 AMJ45


- Transmission performance: Cat.6_A acc. to ISO/IEC 11801; EN 50173-1
- Fully shielded
- 360° shielding contact and strain relief by means of two (one in the case of Cat.5e) separate, captive screw clamps for the exterior cable jacket and shielding
- Can be wired up from all directions, in 8x45° steps
- Either horizontal or vertical installation in the cable duct as a result of variable cable inlet
- Type offers low installation depth; problem-free installation in floor tanks as a result of cable inlet from the side within the subfloor mounting box
- Option of plug-in ground connection at all four corners; according to DIN 46342-1; 6.3 mm
- Compatible with a wide variety of faceplates of leading manufacturers
- Independent AP design available, an AP add-on set is not required
- Faceplate can be retrofitted with a flip-up loss-proof, transparent label field
- Protection flaps
- Single (8) and double (8/8, 2x8(4)) outlets available
- Stable, compact, ergonomic construction, that provides secure hold during installation

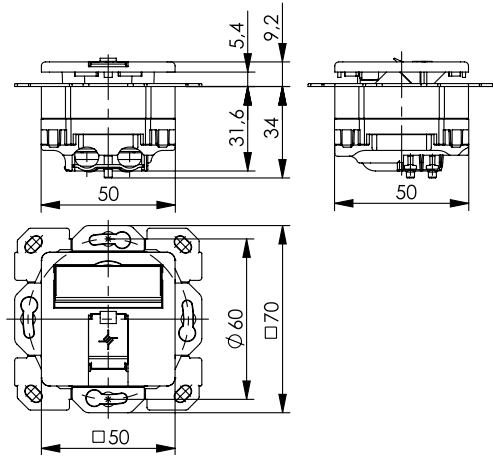






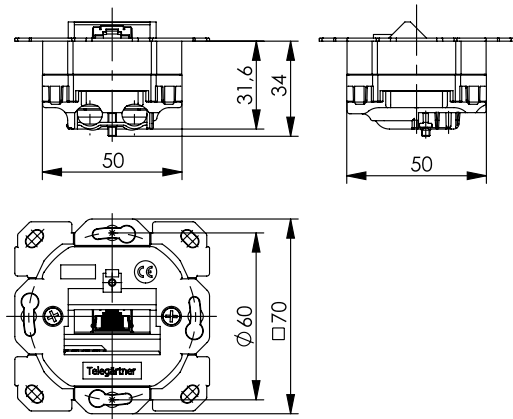
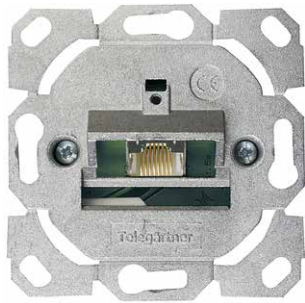
Part No.	Short name	Type
100022960	AMJ45 8 K Up/0 Cat.6 _A without faceplate	Cable duct mounting, 1xRJ45



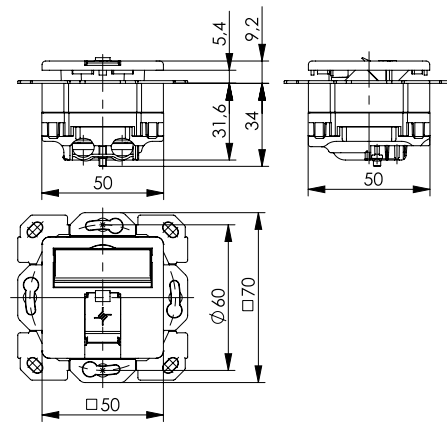


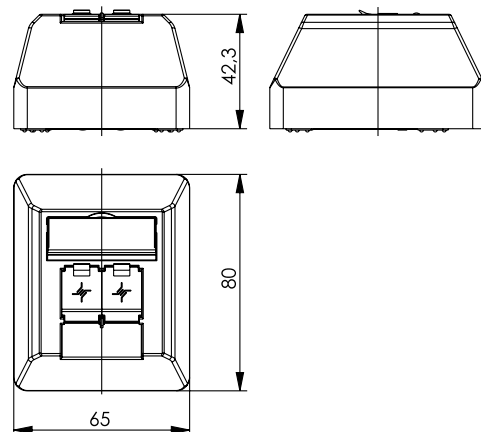
Part No.	Short name	Type	Colour
100022959	AMJ45 8 K Up/50 Cat.6 _A	Cable duct mounting, 1xRJ45	Alpine white



Part No.	Short name	Type
100022946	AMJ45 8 Up/0 Cat.5e without face plate	Cable duct mounting, 1xRJ45

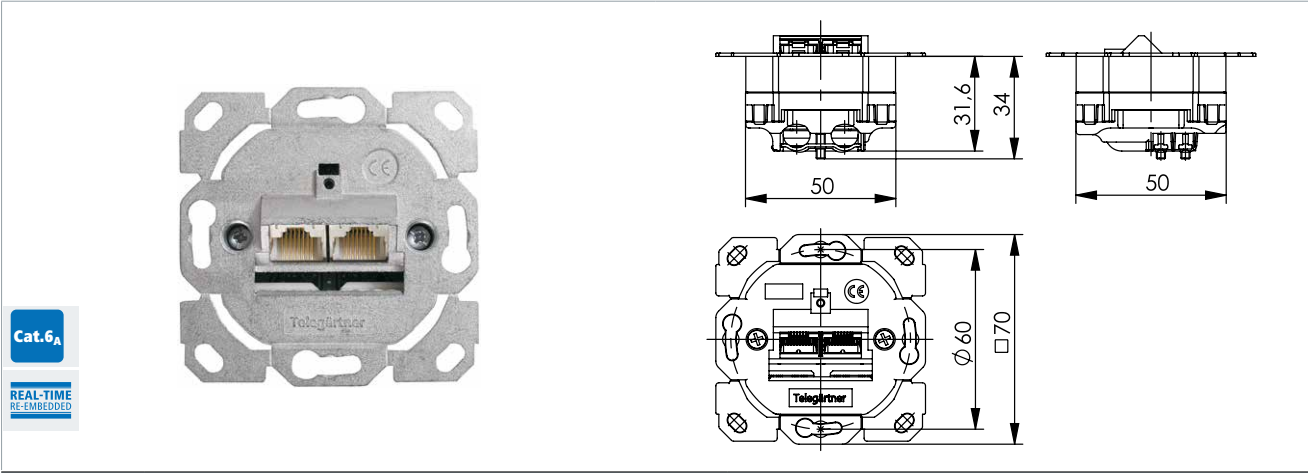


Part No.	Short name	Type	Colour
100022945	AMJ45 8 Up/50 Cat.5e	Cable duct mounting, 1xRJ45	Alpine white



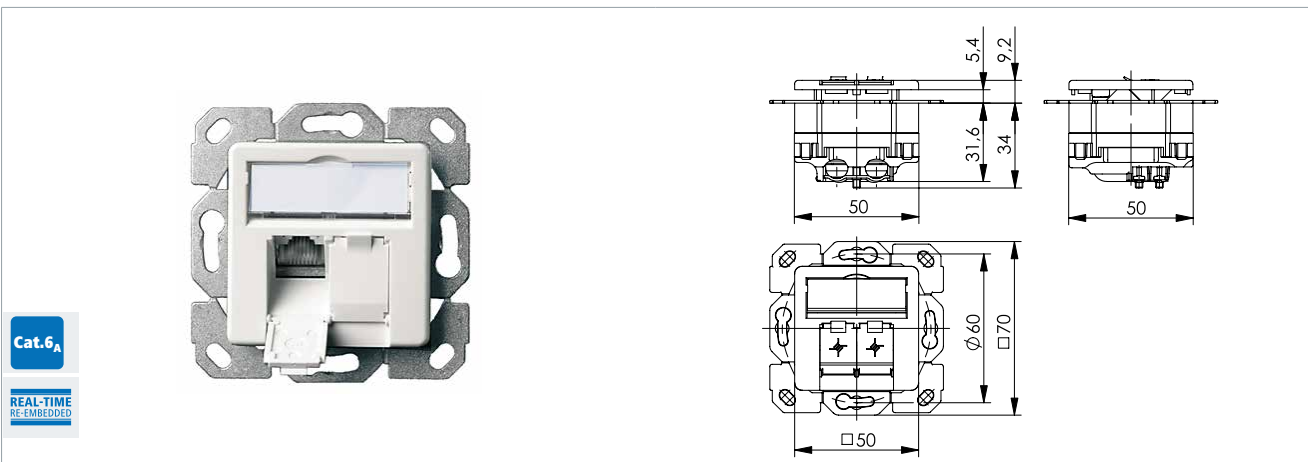
Part No.	Short name	Type	Colour
100023002	AMJ45 8/8 K AP Cat.6 _A	Surface mounting, 2xRJ45	Alpine white

12.1 AMJ45



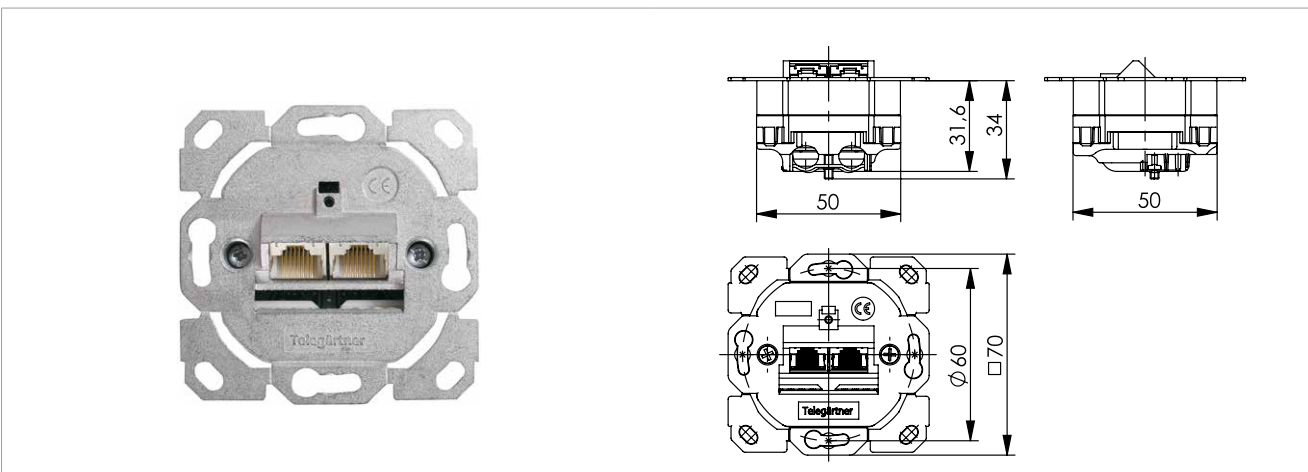
Cat.6A
REAL-TIME RE-EMBEDDED

Part No.	Short name	Type
100022956	AMJ45 8/8 K Up/0 Cat.6A without faceplate	Cable duct mounting, 2xRJ45

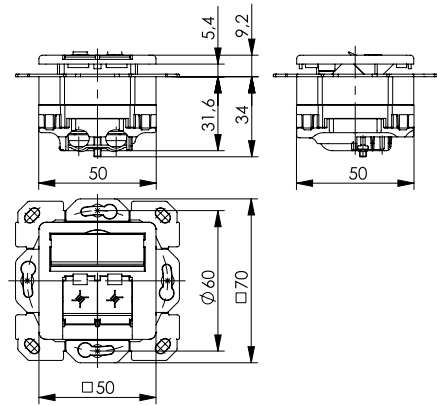


Cat.6A
REAL-TIME RE-EMBEDDED

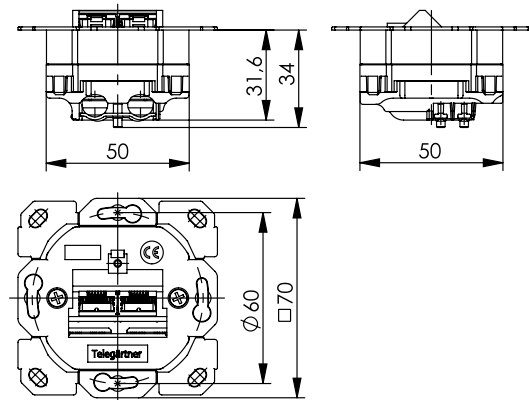
Part No.	Short name	Type	Colour
100000007	AMJ45 8/8 K Up/50 Cat.6A	Cable duct mounting, 2xRJ45	Alpine white



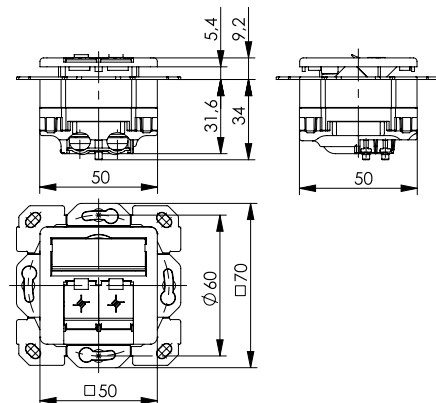
Part No.	Short name	Type
100022939	AMJ45 8/8 Up/0 Cat.5e without face plate	Cable duct mounting, 2xRJ45



Part No.	Short name	Type	Colour
100022940	AMJ45 8/8 Up/50 Cat.5e	Cable duct mounting, 2xRJ45	Alpine white



Part No.	Short name	Type
100022944	AMJ45 K 8/8 Up/0 Class E _A 500 without face plate	Cable duct mounting, 2xRJ45



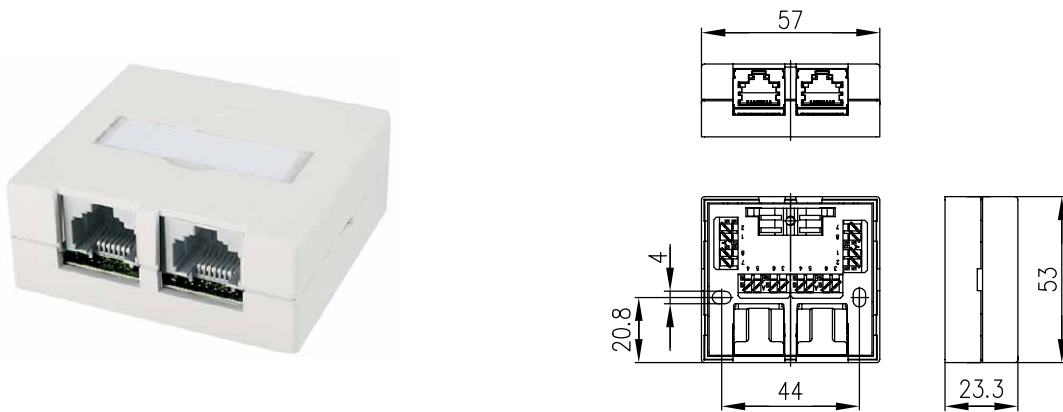
Part No.	Short name	Type	Colour
100022942	AMJ45 K 8/8 Up/50 Class E _A 500	Cable duct mounting, 2xRJ45	Alpine white

12.1 AMJ45

Part No.	Short name	Type	Colour
100022961	AMJ45/B 8 K Up/50 Cat.6 _A	Subfloor mounting, 1xRJ45	Alpine white

Part No.	Short name	Type	Colour
100022957	AMJ45/B 8/8 K Up/50 Cat.6 _A	Subfloor mounting, 2xRJ45	Alpine white

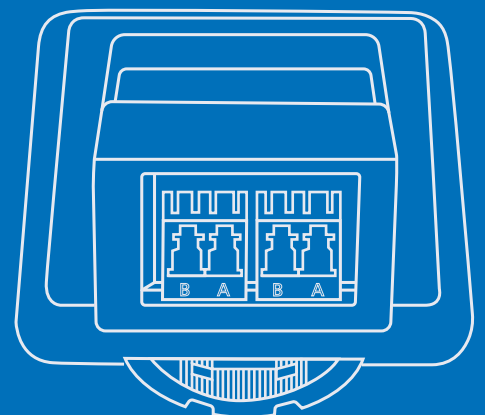
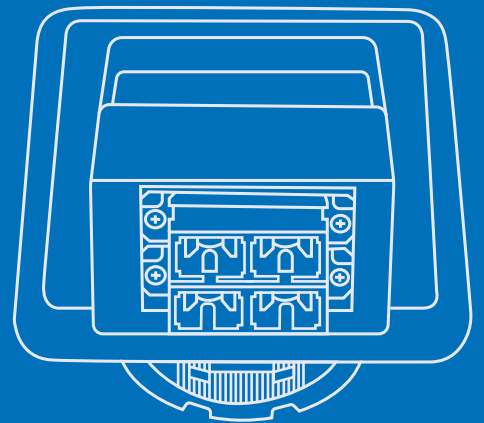
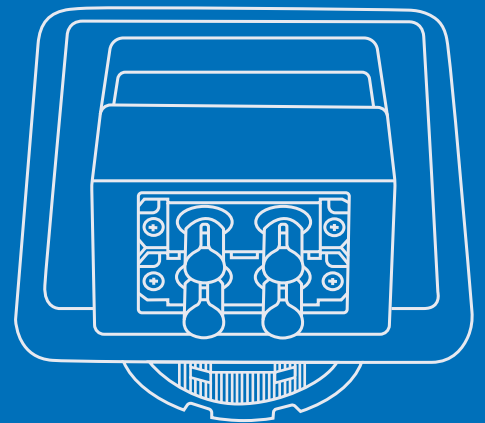
- Suitable for 10 Gigabit Ethernet acc. to IEEE 802.3an
- Transmission performance: PL Class E_A 500 acc. to ISO/IEC 11801-1, EN 50173-1
- Surface housing can be retrofitted with a flip-up loss-proof, transparent label field
- The cables are terminated via IDC (LSA Plus) terminals with colour coding T568A and T568B
- Screw clamp for strain relief and shielding contact for incoming cables
- Compact type for surface mounting with two RJ45 jacks parallel to the mounting level
- Surface housing can be retrofitted with a flip-up loss-proof, transparent label field
- RJ45 jacks facing downwards
- Installation cabling from top
- Plastic housing with snap-on cover



Part No.	Short name	Type	Colour
100022997	VAD 8/8 Ap Compact-S Class E _A 500	Shielded; surface mounting	Pure white RAL 9010

13

FO OUTLETS



FO OUTLETS



- 13.1 FO Outlets OAD/S..... 156
- 13.2 FO Outlets OAD/F..... 158
- 13.3 FO Outlets OAD/FS..... 158

Fiber optic outlets near end-users have to be protected from dust and shock. Furthermore, patch cords have to be connected easily and reliably. With decades of experience, Telegärtner offers compact, precise and reliable fiber optic outlets for best connections in fiber optic networks. The „ready-to-install“ solutions have innovative and recyclable packaging, which allows the pre-assembled cables with connected box to be quickly and safely pulled out of the packaging on site. This eliminates the need for lengthy assembly and measurement work, and installation time in the residential unit is thus reduced to a minimum.

	OAD/S	OAD/F	OAD/FS
Colour	Alpine white	Pure white	Pure white
Size	80 x 80 x 49 mm	86 x 86 x 24 mm	80 x 100 x 23 mm
Designable	Yes	No	No
Suitable for couplings	SC duplex, ST duplex, LC duplex, LC quad	LC duplex	LC duplex
With splice tray	No	No	Yes
Mounting Type			
Surface mount	Yes	Yes	Yes
Flush-mounted	Yes	No	No
Cable duct	Yes	No	No
Available pre-assembled "ready-to-install"	Yes	Yes	No
With text field	Yes	No	No
Overlength tray	Yes	Yes	Yes



13.1 FO Outlets OAD/S

- The universal outlet for nearly any application
- Output direction 20° to vertical direction
- 5 mm automatic height adjustment for cover frames acc. to DIN 49075 or 50 x 50 mm
- Compatible with a wide variety of covers of leading manufacturers
- Winding drum for fiber or cable reserve loops with ensured radius of 25 mm minimum
- Horizontal and vertical installation in cable ducts as well as in flush or surface mounting boxes*
 - * suitable conduit required



► Part No.	Short name	Type	Remarks	Length
100022618	FITH OAD/S outlet, pre-assembled with 2x LC/APC Duplex adaptors and 4x LC/APC plugs	Cable 4x fibers Singlemode	Ready-to-install	25 m
100022619	FITH OAD/S outlet, pre-assembled with 2x LC/APC Duplex adaptors and 4x LC/APC plugs	Cable 4x fibers Singlemode	Ready-to-install	50 m
100022620	FITH OAD/S outlet, pre-assembled with 2x LC/APC Duplex adaptors and 4x LC/APC plugs	Cable 4x fibers Singlemode	Ready-to-install	75 m
100022621	FITH OAD/S outlet, pre-assembled with 2x LC/APC Duplex adaptors and 4x LC/APC plugs	Cable 4x fibers Singlemode	Ready-to-install	100 m



► Part No.	Description	Type	Colour
100022459	OAD/S with 2x LC Duplex, assembled	OAD/S Outlet for cable duct, with 2x LC duplex adaptors, ceramic	Alpine white



► Part No.	Description	Type	Colour
100022456	OAD/S with 2x SC duplex, assembled	OAD/S Outlet for cable duct, with 2x SC duplex adaptors, ceramic/metal	Alpine white
100022457	OAD/S with 2x ST/SC duplex, assembled	OAD/S Outlet for cable duct, with 2x ST/SC duplex adaptors, ceramic/metal	Alpine white



► Part No.	Description	Type	Colour
100022455	OAD/S with 2x ST duplex, assembled	OAD/S Outlet for cable duct, with 2x ST duplex adaptors, ceramic/metal	Alpine white

13.2 FO Outlets OAD/F



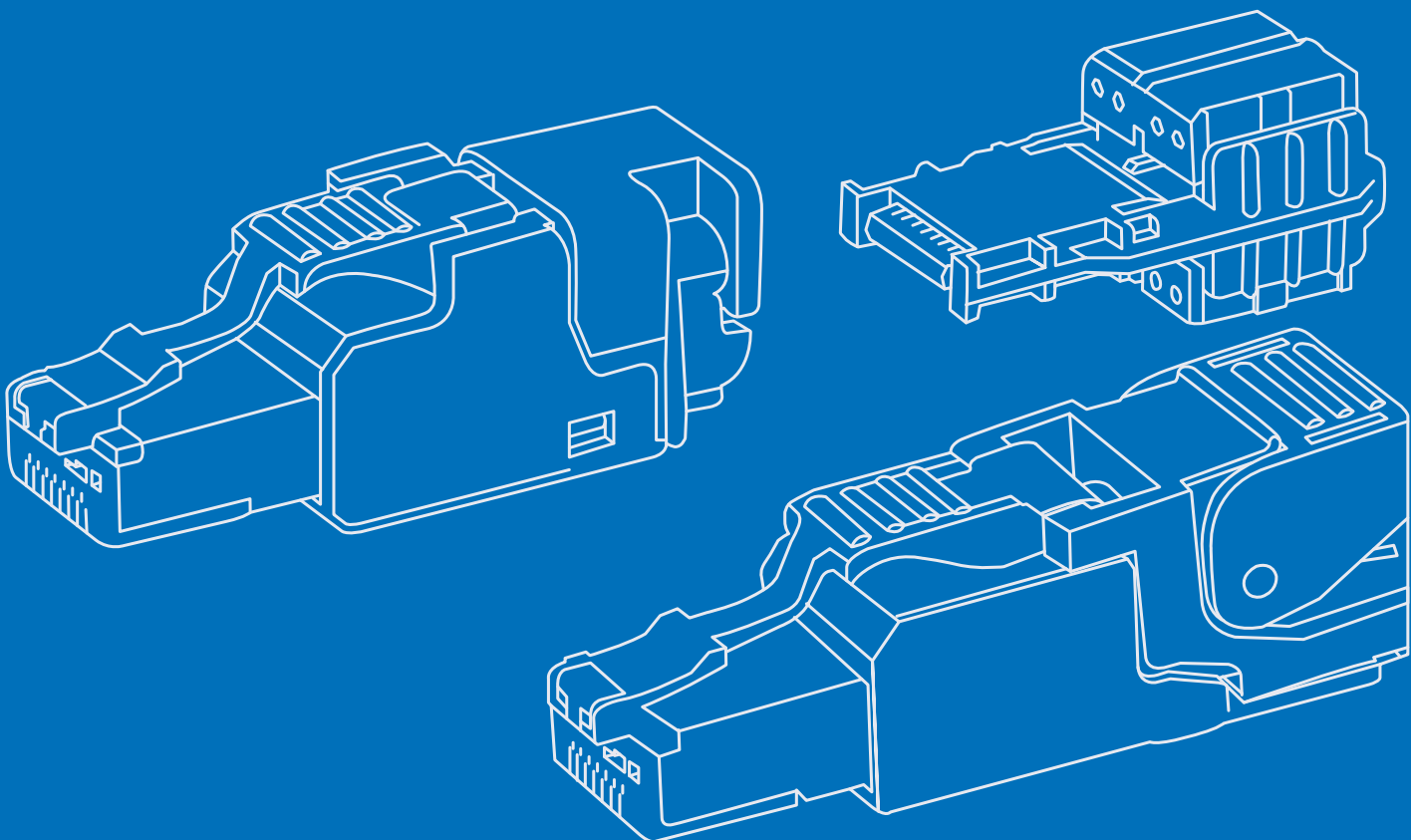
Part No.	Short name	Type	Remarks	Length
100022625	FITH OAD/F outlet, pre-assembled with 2x LC/APC duplex adaptors and 4x LC/APC plugs	Cable 4x fibers singlemode	Ready-to-install	25 m
100022626	FITH OAD/F outlet, pre-assembled with 2x LC/APC duplex adaptors and 4x LC/APC plugs	Cable 4x fibers singlemode	Ready-to-install	50 m
100022627	FITH OAD/F outlet, pre-assembled with 2x LC/APC duplex adaptors and 4x LC/APC plugs	Cable 4x fibers singlemode	Ready-to-install	75 m
100022628	FITH OAD/F outlet, pre-assembled with 2x LC/APC duplex adaptors and 4x LC/APC plugs	Cable 4x fibers singlemode	Ready-to-install	100 m

13.3 FO Outlets OAD/FS



Part No.	Short name	Remarks
100022312	FITH OAD/FS outlet, splice arranged with 2x LC/APC duplex adaptors and 4x pigtails OS2	2x LC duplex adaptors green with dust and laser protection cover 4x pigtails LC/APC green 1.2 m

MODULAR PLUGS



MODULAR PLUGS



14.1	MFP8 Cat.8.1, Shielded	162
14.2	MFP8 Cat.6A, Shielded	163
14.2.1	MFP8-SL.....	163
14.2.2	MFP8.....	164
14.2.3	MFP8-4x90.....	165
14.2.4	MFP8 IE.....	165
14.2.5	Accessories.....	166
14.3	UFP8 Cat.6A, Unshielded	167
14.4	MP8, Shielded & Unshielded	168
14.5	MP6, Unshielded	169

For the assembly of RJ45 patch cords Telegärtner offers RJ45 plugs using no special tools as well as for crimp termination. The RJ45 connectors acc. to IEC 60603-7 are available in several designs. The Cat.6_A MFP8 connector for stranded and solid wire cables can easily be assembled onsite without any special tools. The maximum cable diameter is 10.0 mm. The connector features the T568A/B or PROFINET pin assignment and a 360° shielding connection. The unshielded Cat.6_A UFP8 connector for stranded AWG27/7-22/7 or solid wire cables AWG24/1-22/1 can easily be assembled onsite without any special tools. The maximum cable diameter is 8.5 mm. The Cat.6_A connector MP8 FS for stranded and solid wire cables completes the product line. Assembled with a crimp tool it offers shielding connection and a wire presorting for easy handling, too. The strain relief pressure is thereby absorbed by the cable jacket. This avoids deformation of wires. 1-part and 2-part cable boots in different colours are available additionally. Suitable crimp tools, one for less frequent usage (> 1.000 operations), the other for professional application (> 10.000 operations) round-off the product range. All connectors are capable for use in multiport-applications such as patch panels, switches, etc.

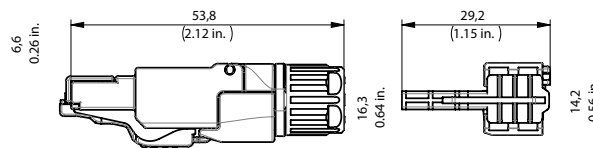
	MFP8 Cat.8.1	MFP8-SL Cat.8.1	MFP8-SL Cat.6 _A	MFP8 Cat.6 _A
Standards				
Connector	IEC 60603-7-51	IEC 60603-7-51	IEC 60603-7-51	IEC 60603-7-51
Mechanical Characteristics				
Insertion force	< 30 N	< 30 N	< 30 N	≤ 30 N
Life (mating cycles)	> 750	> 750	> 750	≥ 750
Material: Connector housing	Zinc die-cast Ni plated			
Material: Contact housing	PC UL94 V0 crystal clear	PC UL94 V0 crystal clear	PC UL94 V0 crystal clear	PC UL94 V0 crystal clear
Material: Wire presorting	PC UL94 V0 white	PC UL94 V0 white	PC UL94 V0 white	PC UL94 V0 white
Material: Strain relief	PC UL94 V0 black	PC UL94 V0 black	PC UL94 V0 black	PC UL94 V0 black
Material: Hook, protection cap	PBT UL94 V0 black	PBT UL94 V0 black	PBT UL94 V0 black	PBT UL94 V0 black
Material: Screening shield	Spring steel	Spring steel	Spring steel	Spring steel
Material: PCB	FR4 UL94 V0 soldermask both side			
Material: Piercing contacts	Phosphorous bronze, min. 3...6 µm Sn			
Material: Shield contact	Brass 2.5 µm Ni	Brass 2.5 µm Ni	Brass 2.5 µm Ni	Brass 2.5 µm Ni
Material: Contacts	Spring steel 0.8 µm Au; 1.2 µm Ni			
Cu-conductor diameter: solid	0.51 - 0.64 mm AWG24/1 - AWG22/1	0.51 - 0.64 mm AWG24/1 - AWG22/1	0.51 - 0.64 mm AWG24/1 - AWG22/1	0.51 - 0.64 mm AWG24/1 - AWG22/1
Cu-conductor diameter: stranded	0.46 - 0.76 mm AWG27/7 - AWG22/7	0.46 - 0.76 mm AWG27/7 - AWG22/7	0.46 - 0.76 mm AWG27/7 - AWG22/7	0.46 - 0.76 mm AWG27/7 - AWG22/7
Core diameter	1.0 - 1.6 mm	1.0 - 1.6 mm	1.0 - 1.6 mm	1.0 - 1.6 mm
Cable diameter	5.5 - 10.0 mm	5.0 - 9.0 mm	5.0 - 9.0 mm	5.0 - 9.0 mm
Environmental Requirements				
Ambient temperature	-40 °C to +85 °C	-40 °C to +85 °C	-40 °C to +85 °C	-40 °C to +85 °C
UL listed	E244889	E244889	E244889	E244889
Electrical Characteristics				
Current carrying capacity at 50 °C	1 A	1 A	1 A	1 A
PoE according to IEEE 802.3af	Adequate for Power over Ethernet			
PoE+ according to IEEE 802.3at	Adequate for Power over Ethernet+			
4P PoE according to IEEE 802.3bt	Adequate for 4 Pair Power over Ethernet			
Transmission Performance				
10 Gigabit Ethernet acc. to IEEE 802.3an	Adequate for 10 Gigabit Ethernet			
40 Gigabit Ethernet (40G BASE-T) acc. to IEEE 802.3bq	Adequate for 40 Gigabit Ethernet (40 GBASE-T)		-	-

14 MODULAR PLUGS

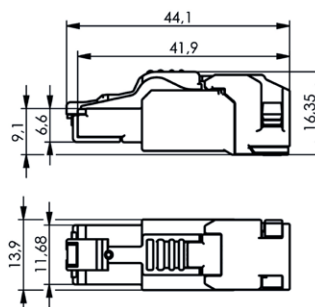
	MFP8 4x90 Cat.6A	MFP8 IE Cat.6A	UFP8 Cat.6A AWG27-23	UFP Cat.6A AWG23-22
Standards				
Connector	IEC 60603-7-51		IEC 60603-7-41	IEC 60603-7-41
Mechanical Characteristics				
Insertion force	< 30 N	< 30 N	< 20 N	< 20 N
Life (mating cycles)	> 750	> 750	> 750	> 750
Material: Connector housing	Zinc die-cast Ni plated	Zinc die-cast Ni plated	PC UL94 V0 black	PC UL94 V0 black
Material: Contact housing	PC UL94 V0 crystal clear		PC UL94 V0 sky blue transparent	PC UL94 V0 yellow transparent
Material: Wire presorting	PC UL94 V0 white	PC UL94 V0 white	PC UL94 V0 grey	PC UL94 V0 white
Material: Strain relief	PC UL94 V0 black	PC UL94 V0 black	-	-
Material: Hook, protection cap	PBT UL94 V0 black	PBT UL94 V0 black	PBT UL94 V0 black	PBT UL94 V0 black
Material: Screening shield	Spring steel	Spring steel	-	-
Material: PCB	FR4 UL94 V0 soldermask both side			
Material: Piercing contacts	Phosphorous bronze, min. 3...6 µm Sn			
Material: Shield contact	Brass 2.5 µm Ni	Brass 2.5 µm Ni	Brass Ni plated	Brass Ni plated
Material: Contacts	Spring steel 0.8 µm Au; 1.2 µm Ni			
Cu-conductor diameter: solid	0.51 - 0.64 mm AWG24/1 - AWG22/1	0.51 - 0.64 mm AWG24/1 - AWG22/1	0.51 - 0.57 mm AWG24/1 - AWG23/1	0.57 - 0.64 mm AWG23/1 - AWG22/1
Cu-conductor diameter: stranded	0.46 - 0.76 mm AWG27/7 - AWG22/7	0.46 - 0.76 mm AWG27/7 - AWG22/7	0.46 - 0.65 mm AWG27/7 - AWG23/7	0.65 - 0.76 mm AWG23/7 - AWG22/7
Core diameter	1.0 - 1.6 mm	1.0 - 1.6 mm	0.85 - 1.1 mm	1.1 - 1.6 mm
Cable diameter	5.5 - 10.0 mm	5.5 - 10.0 mm	5.5 - 8.5 mm	5.5 - 8.5 mm
Environmental Requirements				
Ambient temperature	-40 °C to +85 °C	-40 °C to +85 °C	-40 °C to +70 °C	-40 °C to +70 °C
UL listed	E244889	E244889	E244889	E244889
Electrical Characteristics				
Current carrying capacity at 50 °C	1 A	1 A	1 A	1 A
PoE according to IEEE 802.3af	Adequate for Power over Ethernet			
PoE+ according to IEEE 802.3at	Adequate for Power over Ethernet+			
4P PoE according to IEEE 802.3bt	Adequate for 4 Pair Power over Ethernet		-	-
Transmission Performance				
10 Gigabit Ethernet gemäß IEEE 802.3an	Adequate for 10 Gigabit Ethernet			

14.1 MFP8 Cat.8.1, Shielded

- Incl. pre-assembled protection cap
AWG26 - 24/1, AWG27 - 24/7
- Connector acc. IEC 60603-7 series RJ45 8P8C
- 25/40GBase-T acc. IEEE 802.3bq
- Backward compatible to Class E_A acc. ISO/IEC 11801-1
(permanent link up to 90 m and channel up to 100 m)
- Life ≥ 750 mating cycles
- Shielding housing material: die-cast nickel-plated zinc
- Outer diameter: 5.5 – 10.0 mm
- Cu conductor diameter: solid 0.41 – 0.51 mm (AWG26/1 – 24/1)
stranded 0.46 – 0.61 mm (AWG27/7 – 24/7) outer diameter:
0.85 – 1.1 mm
- Reusable IPC: ≤ 4 cycles
- Temperature range: -40°C to +85°C
- Power over Ethernet plus (PoE+) acc. IEEE 802.3at
- 4 Pair Power over Ethernet acc. IEEE 802.3bt
- IP20
- UL Listed



Part No.	Short name	Remarks	Type
100023089	MFP8 T568B Cat.8.1	AWG24 - 22/1, AWG27 - 22/7, incl. pre-assembled protection cap	Pack of 10
100023090	MFP8 T568B Cat.8.1	AWG26 - 24/1, AWG27 - 24/7, incl. pre-assembled protection cap	Pack of 10



Part No.	Short name	Remarks	Type
100039923	MFP8-SL T568B Cat.8.1	AWG24 - 22/1, AWG27 - 22/7, incl. pre-assembled protection cap	Pack of 10
100039924	MFP8-SL T568B Cat.8.1	AWG26 - 24/1, AWG27 - 24/7, incl. pre-assembled protection cap	Pack of 10

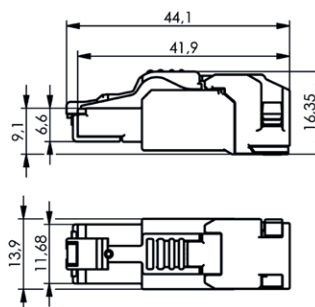
MFP8 Cat.6A, Shielded

14.2

MFP8-SL

14.2.1

- Pre-assembled protection cap
- Robust zinc die-cast housing
- 360° shielding
- Full metal shielding between pairs of wires
- Three strain relief settings (cable diameters 5.0 mm to 9.0 mm)
- Can be assembled in 60 seconds without any special tools
- Optimised for the field, including demanding applications
- Secure transmission even with outside interference
- Four-chamber wire manager (available with colour code T568A or T568B and PROFINET)
- Suitable for cabling in office buildings, data centers, industrial facilities and home networks
- Supreme reliability
- Ideal for network repairs, special lengths and extensions
- Piercing contacts suitable for solid and stranded conductors



Part No.	Short name	Remarks	Type
100035951	MFP8-SL T568A Cat.6A	AWG 24/1-22/1, AWG 27/7-22/7, incl. pre-assembled protection cap	Pack of 10
100039916	MFP8-SL T568B Cat.6A	AWG 24/1-22/1, AWG 27/7-22/7, incl. pre-assembled protection cap	Pack of 10

14 MODULAR PLUGS

Part No.	Short name	Remarks	Type
100039917	MFP8-SL T568A Cat.6 _A	AWG 26/1-24/1, AWG 27/7-24/7, incl. pre-assembled protection cap	Pack of 10
100039918	MFP8-SL T568B Cat.6 _A	AWG 26/1-24/1, AWG 27/7-24/7, incl. pre-assembled protection cap	Pack of 10
100040203	MFP8-SL PROFINET	AWG 24/1-22/1, AWG 27/7-22/7, incl. pre-assembled protection cap	Pack of 10
100037418	MFP8-SL T568A Cat.6 _A	AWG 24/1-22/1, AWG 27/7-22/7, incl. pre-assembled protection cap	Blister pack of 10
100039920	MFP8-SL T568B Cat.6 _A	AWG 24/1-22/1, AWG 27/7-22/7, incl. pre-assembled protection cap	Blister pack of 10
100039921	MFP8-SL T568A Cat.6 _A	AWG 26/1-24/1, AWG 27/7-24/7, incl. pre-assembled protection cap	Blister pack of 10
100039922	MFP8-SL T568B Cat.6 _A	AWG 26/1-24/1, AWG 27/7-24/7, incl. pre-assembled protection cap	Blister pack of 10
100040222	MFP8-SL PROFINET	AWG 24/1-22/1, AWG 27/7-22/7, incl. pre-assembled protection cap	Blister pack of 10

14.2.2

MFP8

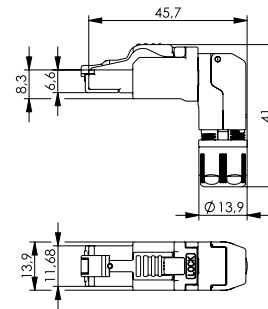
- Suitable for 4 Pair Power over Ethernet acc. to IEEE 802.3bt
- Four-chamber wire manager with PROFINET color coding
- For shielded cabling
- Can be assembled in 60 seconds and without special tools
- Optimized for on-site assembly
- IPC contacts suitable for solid and stranded conductors



Part No.	Short name	Remarks	Type
100023037	MFP8 T568A Cat.6 _A	AWG 24/1-22/1, AWG 27/7-22/7, incl. pre-assembled protection cap	Pack of 10
100023038	MFP8 T568B Cat.6 _A	AWG 24/1-22/1, AWG 27/7-22/7, incl. pre-assembled protection cap	Pack of 10
100023040	MFP8 T568B Cat.6 _A	AWG 26/1-24/1, AWG 27/7-24/7, incl. pre-assembled protection cap	Pack of 10
100023041	MFP8 T568A Cat.6 _A	AWG 26/1-24/1, AWG 27/7-24/7, incl. pre-assembled protection cap	Pack of 10
100023039	MFP8 PROFINET	AWG 24/1-22/1, AWG 27/7-22/7, incl. pre-assembled protection cap	Pack of 10
100023042	MFP8 T568A Cat.6 _A	AWG 24/1-22/1, AWG 27/7-22/7, incl. pre-assembled protection cap	Blister pack of 10
100023043	MFP8 T568B Cat.6 _A	AWG 24/1-22/1, AWG 27/7-22/7, incl. pre-assembled protection cap	Blister pack of 10
100023045	MFP8 T568B Cat.6 _A	AWG 26/1-24/1, AWG 27/7-24/7, incl. pre-assembled protection cap	Blister pack of 10
100023046	MFP8 T568A Cat.6 _A	AWG 26/1-24/1, AWG 27/7-24/7, incl. pre-assembled protection cap	Blister pack of 10
100023044	MFP8 PROFINET	AWG 24/1-22/1, AWG 27/7-22/7, incl. pre-assembled protection cap	Blister pack of 10

MFP8-4x90

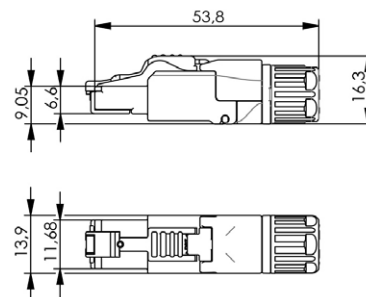
14.2.3



Part No.	Short name	Remarks	Type
100023061	MFP8-4x90 T568A Cat.6 _A	AWG 24/1-22/1, AWG 27/7-22/7, incl. pre-assembled protection cap	Pack of 10
100023062	MFP8-4x90 T568B Cat.6 _A	AWG 24/1-22/1, AWG 27/7-22/7, incl. pre-assembled protection cap	Pack of 10
100023064	MFP8-4x90 T568B Cat.6 _A	AWG 26/1-24/1, AWG 27/7-24/7, incl. pre-assembled protection cap	Pack of 10
100023065	MFP8-4x90 T568A Cat.6 _A	AWG 26/1-24/1, AWG 27/7-24/7, incl. pre-assembled protection cap	Pack of 10
100023063	MFP8-4x90 PROFINET	AWG 24/1-22/1, AWG 27/7-22/7, incl. pre-assembled protection cap	Pack of 10
100023066	MFP8-4x90 T568A Cat.6 _A	AWG 24/1-22/1, AWG 27/7-22/7, incl. pre-assembled protection cap	Blister pack of 10
100023067	MFP8-4x90 T568B Cat.6 _A	AWG 24/1-22/1, AWG 27/7-22/7, incl. pre-assembled protection cap	Blister pack of 10
100023069	MFP8-4x90 T568B Cat.6 _A	AWG 26/1-24/1, AWG 27/7-24/7, incl. pre-assembled protection cap	Blister pack of 10
100023070	MFP8-4x90 T568A Cat.6 _A	AWG 26/1-24/1, AWG 27/7-24/7, incl. pre-assembled protection cap	Blister pack of 10
100023068	MFP8-4x90 PROFINET	AWG 24/1-22/1, AWG 27/7-22/7, incl. pre-assembled protection cap	Blister pack of 10

MFP8 IE

14.2.4



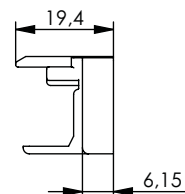
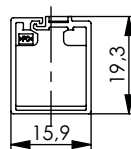
Part No.	Short name	Remarks	Type
100023084	MFP8 IE T568A Cat.6 _A	AWG 24/1-22/1, AWG 27/7-22/7, incl. pre-assembled protection cap	Pack of 10
100023085	MFP8 IE T568B Cat.6 _A	AWG 24/1-22/1, AWG 27/7-22/7, incl. pre-assembled protection cap	Pack of 10
100023087	MFP8 IE T568B Cat.6 _A	AWG 26/1-24/1, AWG 27/7-24/7, incl. pre-assembled protection cap	Pack of 10

14 MODULAR PLUGS

Part No.	Short name	Remarks	Type
100023088	MFP8 IE T568A Cat.6 _A	AWG 26/1-24/1, AWG 27/7-24/7, incl. pre-assembled protection cap	Pack of 10
100023086	MFP8 IE PROFINET	AWG 24/1-22/1, AWG 27/7-22/7, incl. pre-assembled protection cap	Pack of 10
100023091	MFP8 IE T568A Cat.6 _A	AWG 24/1-22/1, AWG 27/7-22/7, incl. pre-assembled protection cap	Blister pack of 10
100023092	MFP8 IE T568B Cat.6 _A	AWG 24/1-22/1, AWG 27/7-22/7, incl. pre-assembled protection cap	Blister pack of 10
100023093	MFP8 IE PROFINET	AWG 24/1-22/1, AWG 27/7-22/7, incl. pre-assembled protection cap	Blister pack of 10
100023094	MFP8 IE T568B Cat.6 _A	AWG 26/1-24/1, AWG 27/7-24/7, incl. pre-assembled protection cap	Blister pack of 10
100023095	MFP8 IE T568A Cat.6 _A	AWG 26/1-24/1, AWG 27/7-24/7, incl. pre-assembled protection cap	Blister pack of 10

14.2.5

Accessories



Part No.	Short name	Remarks	Type
100001052	MFP8 Adapter Siemens	Suitable for all MFP8 variants for easy unlocking in confined spaces secure fit in the application. Stable plug connection in case of vibration Often the RJ45 jack is installed deep in the switch, making it difficult to unlock the RJ45 plug. With this adaptor for the MFP8 series this problem is solved.	Blister pack of 10

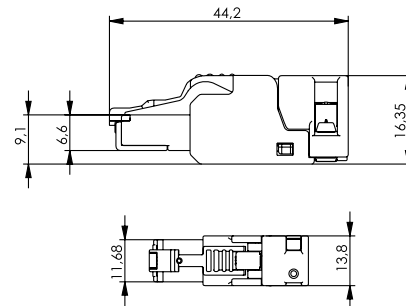


Part No.	Short name	Remarks	Type
100020632	MFP8 wire manager T568A	AWG24/1-AWG22/1, AWG27/7-AWG22/7	Blister pack of 30
100020633	MFP8 wire manager T568B	AWG24/1-AWG22/1, AWG27/7-AWG22/7	Blister pack of 30
100020634	MFP8 PROFINET	AWG24/1-AWG22/1, AWG27/7-AWG22/7	Blister pack of 30
100020635	MFP8 wire manager T568B	AWG26/1-AWG24/1, AWG27/7-AWG24/7	Blister pack of 30
100020636	MFP8 wire manager T568A	AWG26/1-AWG24/1, AWG27/7-AWG24/7	Blister pack of 30

UFP8 Cat.6_A, unshielded

14.3

- Suitable for 10 Gigabit Ethernet 10GBASE-T according to IEEE 802.3
- Suitable for Power over Ethernet Plus PoE+ according to IEEE 802.3at
- Four-chamber wire manager with color coding
- For unshielded cabling
- Can be assembled in 60 seconds and without special tools
- Optimized for on-site assembly
- IPC contacts suitable for solid and stranded conductors



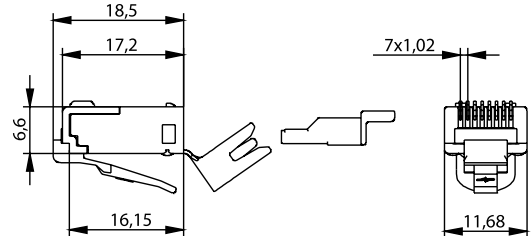
Part No.	Short name	Remarks	Type
100023051	UFP8 T568A Cat.6 _A	AWG 24/1-23/1, AWG 27/7-23/7, incl. pre-assembled protection cap	Pack of 10
100023052	UFP8 T568B Cat.6 _A	AWG 24/1-23/1, AWG 27/7-23/7, incl. pre-assembled protection cap	Pack of 10
100023053	UFP8 T568A Cat.6 _A	AWG 23/1-22/1, AWG 23/7-22/7, incl. pre-assembled protection cap	Pack of 10
100023054	UFP8 T568B Cat.6 _A	AWG 23/1-22/1, AWG 23/7-22/7, incl. pre-assembled protection cap	Pack of 10
100023055	UFP8 T568A Cat.6 _A	AWG 24/1-23/1, AWG 27/7-23/7, incl. pre-assembled protection cap	Blister pack of 10
100023056	UFP8 T568B Cat.6 _A	AWG 24/1-23/1, AWG 27/7-23/7, incl. pre-assembled protection cap	Blister pack of 10
100023057	UFP8 T568A Cat.6 _A	AWG 23/1-22/1, AWG 23/7-22/7, incl. pre-assembled protection cap	Blister pack of 10
100023058	UFP8 T568B Cat.6 _A	AWG 23/1-22/1, AWG 23/7-22/7, incl. pre-assembled protection cap	Blister pack of 10



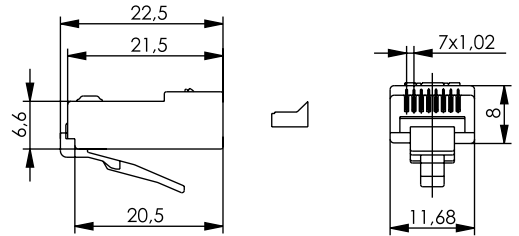
Part No.	Short name	Remarks	Type
100020639	UFP8 wire manager T568A	AWG24/1-AWG23/1; AWG27/7-AWG23/7	Blister pack of 30
100020640	UFP8 wire manager T568B	AWG24/1-AWG23/1; AWG27/7-AWG23/7	Blister pack of 30
100020641	UFP8 wire manager T568A	AWG23/1-AWG22/1; AWG23/7-AWG22/7	Blister pack of 30
100020642	UFP8 wire manager T568B	AWG23/1-AWG22/1; AWG23/7-AWG22/7	Blister pack of 30

14 MODULAR PLUGS

14.4 MP8, Shielded & Unshielded



Part No.	Short name	Remarks
100023019	RJ45 plug MP8(8) FS Cat.6A	Fully shielded with wire presorting; AWG24-AWG27 (stranded and solid); please order cable boot separately cable diameter 5.5 - 7.3 mm, wire diameter 0.85 - 1.05 mm



Part No.	Short name	Remarks
100023025	MP8(8) Cat.6, short wire presorting	Unshielded with wire presorting; AWG24-AWG26 (stranded and solid); please order cable boot separately

- Test gauge for MP8 series connectors
- Simple sliding over the connector
- Reliable testing whether the contacts are within the standard range
- Testing in seconds

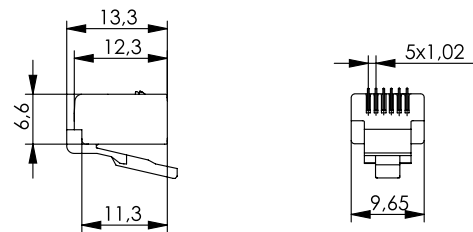


Part No.	Short name	Remarks
100000301	Check gauge for RJ45 MP8(8) FS plug	Contact height maximum dimension
100000300	Check gauge for RJ45 MP8(8) FS plug	Contact height minimum dimension

MP6, Unshielded

14.5

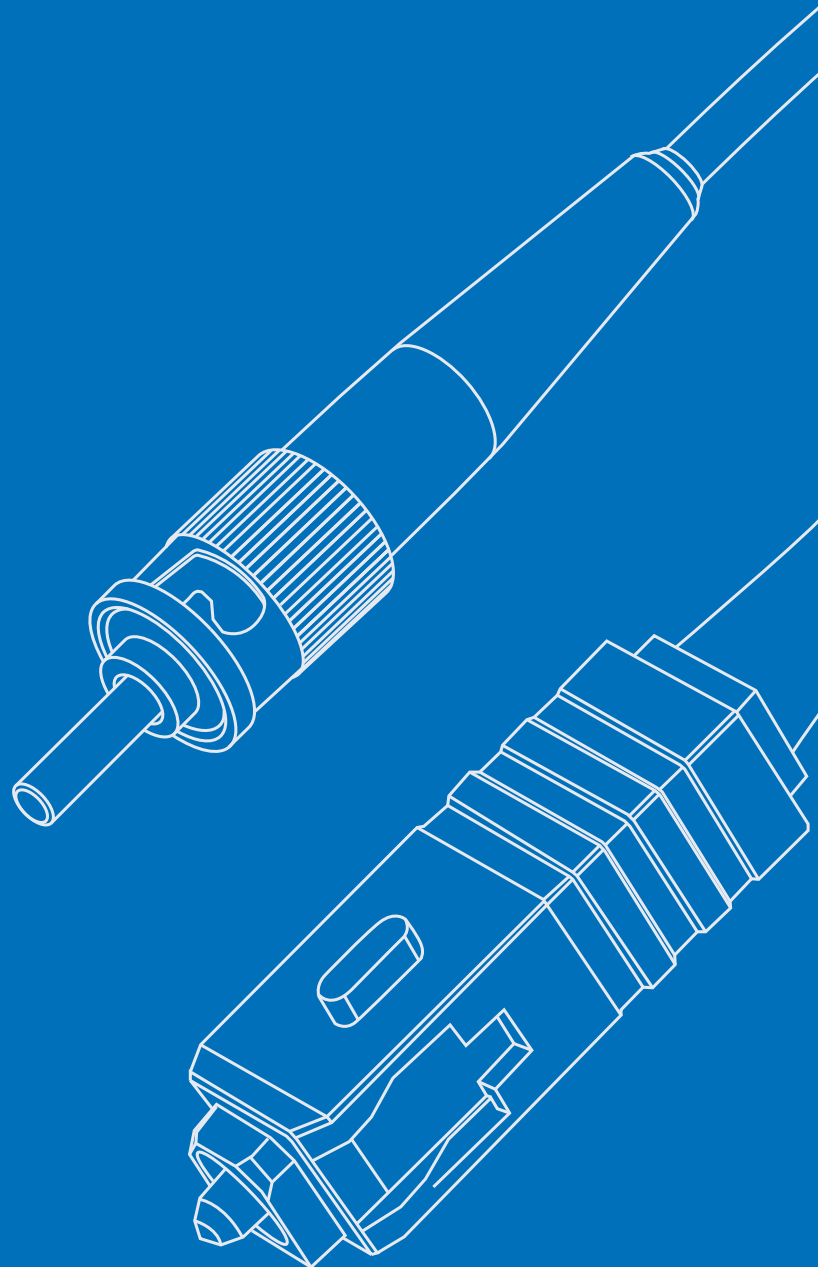
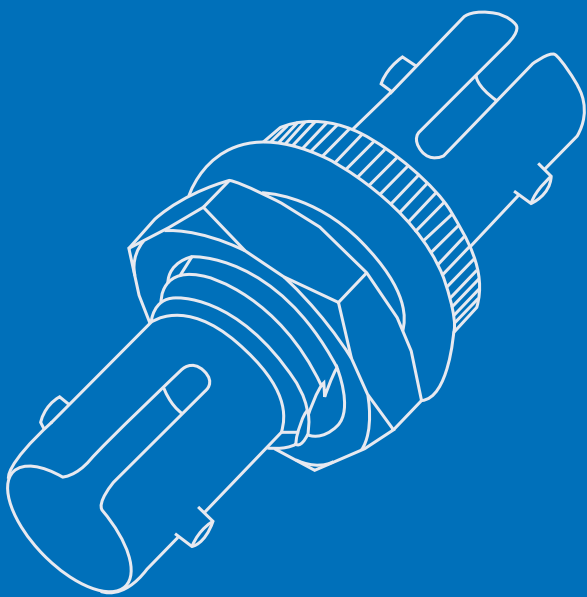
- Connectors according to IEC 60603-7 RJ11/RJ12 6P6C, 6P4C and 6P2C
- Suitable for telephone and fax applications
- For unshielded cabling
- For assembly with crimping tool
- IPC piercing contacts suitable for stranded conductors
- Protection class IP20
- Suitable for cable outer diameter 2.0 to 3.5 mm



Part No.	Short name	Remarks
100023026	Modular plug MP6(6)	6 contacts, unshielded; AWG24-AWG26 (stranded)

15

FO PLUGS/ADAPTORS



FO PLUGS/ADAPTORS



15.1	ST Connectors	174
15.1.1	ST Plugs.....	174
15.1.2	ST Adaptors.....	175
15.2	SC Connectors	176
15.2.1	SC Plugs.....	176
15.2.2	SC Plugs FFP.....	178
15.2.3	SC Adaptors.....	179
15.3	LC Connectors	180
15.3.1	LC Plugs.....	180
15.3.2	LC Plugs FFP.....	181
15.3.3	LC Plugs EasyGrip.....	182
15.3.4	LC Adaptors.....	183
15.4	Attenuators	185

Durable, precise and reliable: Telegärtner fiber optic connectors with ferrule and coupling sleeve made of zirconia ceramics exceed the specifications of the relevant international standards. The APC types (Angled Physical Contact) with 8° angled polished ferrules offer return loss values of more than 60 dB and meet highest expectations.

Performance Characteristics

- Available for singlemode and multimode fibre
- For 0.9 mm fibers and 3.2 mm cables
- Multimode 50 µm, 62.5 µm, 200 µm and 980 µm
- Singlemode 9 µm

Adaptor Mounting Cut-outs		
Mounting Dimension Code	Width	Height
Z64	7.8 mm	Ø 9.8 mm
Z77	13.2 mm	9.8 mm
Z93	26.4 mm	9.8 mm
Z99	13.3 mm	13.3 mm

15.1 ST Connectors

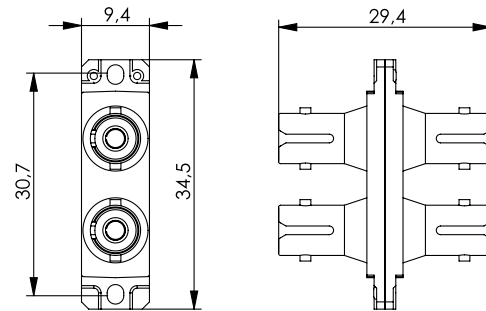
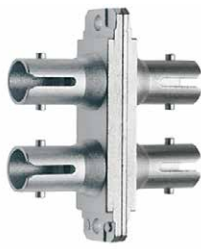
	ST Connectors	ST Connectors for POF/PCF
Mechanical Characteristics		
Type	BFOC/2.5 acc. to IEC 61754-2	BFOC/2.5 acc. to IEC 61754-2
Durability (mating cycles)	≥ 1000	≥ 500
Hex crimp size for strain relief	3.4 / 4.52 x 10 mm; 3.65 / 4.52 mm	3.4 / 4.52 x 10 mm (3.25 for cable Ø 2.2 mm)
Strain relief	≥ 100 N	≥ 100 N (Ø 3.6 mm); ³ 60 N (Ø 2.2 mm)
Material: connector ferrule	Zirconia ceramic	POF: brass nickel-plated PCF: nickel
Material: adaptor split sleeve	Zirconia ceramic or phosphorous bronze	Phosphorous bronze
Material: coupling housing	-	-
Material: connector body, fixing parts for adaptor	Zinc die-cast, nickel-plated	Zinc die-cast, nickel-plated
Material: crimp sleeve	Copper, nickel-plated	Copper, nickel-plated
Material: cable boot, dust caps	Elastomer, flame retardant, non halogen	Elastomer, flame retardant, non halogen
Colour: connector housing/adaptor housing	Metal	-
Climatic Characteristics		
Operating temperature	-20 °C to +80 °C	-20 °C to +80 °C
Storage temperature	-40 °C to +90 °C	-40 °C to +90 °C
Optical Characteristics		
Insertion loss: Plug (factory assembly)	Multimode: max. 0.4 dB ¹ Singlemode: max. 0.5 dB ¹	POF: max. 1.5 dB PCF: max. 1.0 dB
Insertion loss: Adaptor (ceramic)	Multi-/Singlemode: max. 0.2 dB	Multimode: max. 0.2 dB
Return loss	Multimode: min. 30 dB ² Singlemode: min. 40 dB ²	Multimode: min. 30 dB

¹ Measurement procedure acc. to IEC 61300-3-4² Measurement procedure acc. to IEC 61300-3-6

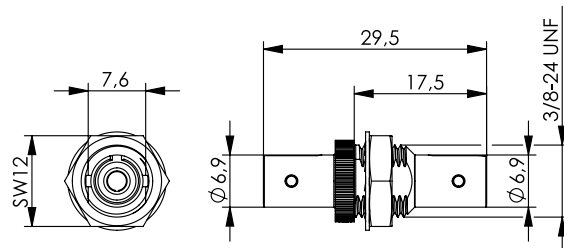
15.1.1 ST Plugs



Part No.	Description	Fiber type	Remarks
100007054	ST connector multimode, ceramic/metal	G50/125, G62.5/125	For cable Ø 2.6 - 3.2 mm
100007053	ST connector multimode, ceramic/metal	G50/125, G62.5/125	For fibers with secondary coating Ø 0.9 mm
100007061	ST connector multimode, ceramic/metal	G50/125, G62.5/125	For cable Ø 1.8 - 2.2 mm
100007055	ST connector singlemode, ceramic/metal	E9/125	For cable Ø 2.6 - 3.2 mm
100007062	ST connector singlemode, ceramic/metal	E9/125	For cable Ø 1.8 - 2.2 mm
100007068	ST connector for PCF, metal	PCF, S200/230	For cable Ø 1.8 - 2.2 mm and 2.6 - 3.2 mm
100007057	ST connector for POF, metal	POF, S980/1000	For cables Ø 2.2 mm without strain relief or Ø 3.6 mm with strain relief



Part No.	Description	Installation	Mount. dim.
100007080	ST duplex adaptor, multimode and singlemode, ceramic sleeve, metal housing, incl. tapping screws	Flange mounting	Z93
100007078	ST duplex adaptor, multimode, phosphorous bronze sleeve, plastic housing, incl. tapping screws	Flange mounting	Z93



Part No.	Description	Installation	Mount. dim.
100007074	ST adaptor, multimode and singlemode, ceramic sleeve, metal housing	Single hole mounting	Z64
100007075	ST adaptor, multimode, phosphorous bronze sleeve, metal housing	Single hole mounting	Z64

15.2 SC Connectors

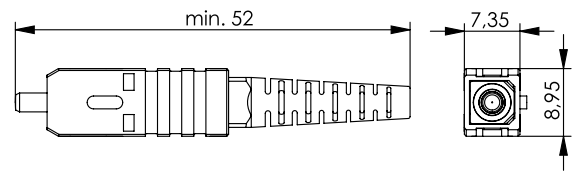
	SC Connectors	SC Connectors for POF/PCF
Mechanical Characteristics		
Type	SC acc. to IEC 61754-4	SC acc. to IEC 61754-4
Durability (mating cycles)	≥ 1000	≥ 500
Hex crimp size for strain relief	4.52 x 10 mm	4.52 x 10 mm
Strain relief	≥ 100 N	≥ 100 N
Material: connector ferrule	Zirkonia ceramic	POF: german silver PCF: nickel
Material: adaptor split sleeve	Zirkonia ceramic or phosphorous bronze	Phosphorous bronze
Material: coupling housing	Thermoplastic, flame retardant, non halogen, or zinc die-cast, nickel-plated	-
Material: cable boot, dust caps	Thermoplastic, flame retardant, non halogen	Thermoplastic, flame retardant, non halogen
Colour: connector housing/adaptor housing	Multimode: beige, blue, aqua, black, violet; Singlemode: blue; Singlemode APC: green	POF: yellow PCF: red
Climatic Characteristics		
Operating temperature	-20 °C to +80 °C	-20 °C to +80 °C
Storage temperature	-40 °C to +90 °C	-40 °C to +90 °C
Optical Characteristics		
Insertion loss: Plug (factory assembly)	Multimode: max. 0.4 dB ¹ Singlemode: max. 0.5 dB ¹	POF: 1.5 dB PCF: 1.0 dB
Insertion loss: Adaptor (ceramic)	Multi-/Singlemode: max. 0.2 dB ¹ Singlemode APC: max. 0.2 dB ¹	-

¹ Measurement procedure acc. to IEC 61300-3-4² Measurement procedure acc. to IEC 61300-3-6

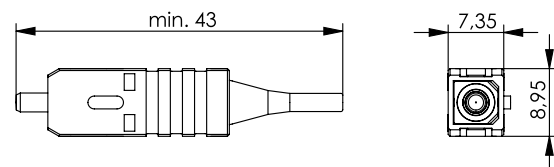
15.2.1 SC Plugs



Part No.	Description	Remarks	Colour
100000881	Clamp for SC connector (spacing acc. to SC duplex)	Pack of 10	Blue
100000880	Clamp for SC connector (spacing acc. to SC duplex)	Pack of 10	Beige
100000886	Clamp for SC connector (spacing acc. to SC duplex)	Pack of 10	Aqua
100000883	Clamp for SC connector (spacing acc. to SC duplex)	Pack of 10	Yellow
100000887	Clamp for SC connector (spacing acc. to SC duplex)	Pack of 10	Violet



Part No.	Description	Fiber type	Remarks	Housing Colour
100007187	SC connector singlemode, ceramic	E9/125	For cable Ø 1.8 - 2.2 mm	Blue
100007184	SC connector singlemode, ceramic	E9/125	For cable Ø 2.6 - 3.2 mm	Blue
100007186	SC connector multimode, ceramic	G50/125, G62.5/125	For cable Ø 1.8 - 2.2 mm	Blue
100007182	SC connector multimode, ceramic	G50/125, G62.5/125	For cable Ø 2.6 - 3.2 mm	Blue
100007194	SC connector multimode, ceramic	G50/125, G62.5/125	For cable Ø 1.8 - 2.2 mm	Beige
100007191	SC connector multimode, ceramic	G50/125, G62.5/125	For cable Ø 2.6 - 3.2 mm	Beige
100007196	SC connector multimode, ceramic	G50/125 OM3	For cable Ø 1.8 - 2.2 mm	Aqua
100007195	SC connector multimode, ceramic	G50/125 OM3	For cable Ø 2.6 - 3.2 mm	Aqua
100008380	SC connector multimode, ceramic	G50/125 OM4	For cable Ø 1.8 - 2.2 mm	Violet
100118402	SC connector multimode, ceramic	G50/125 OM4	For cable Ø 2.6 - 3.2 mm	Violet
100007591	STX IP20 SC connector	PCF, S200/230	For cable Ø 2.6 - 3.2 mm	Red
100007584	STX IP20 SC connector	POF, S980/1000	For cable Ø 2.2 mm	Yellow
100007598	STX IP20 SC connector screw type	POF, S980/1000	For cable Ø 2.2 mm	Yellow



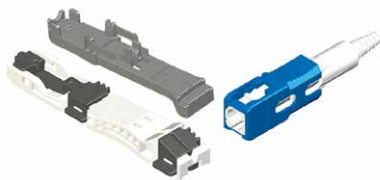
Part No.	Description	Fiber type	Remarks	Housing Colour
100007185	SC connector singlemode, ceramic	E9/125	For fibers with secondary coating Ø 900 µm	Blue
100007183	SC connector multimode, ceramic	G50/125, G62.5/125	For fibers with secondary coating Ø 900 µm	Blue
100007192	SC connector multimode, ceramic	G50/125, G62.5/125	For fibers with secondary coating Ø 900 µm	Beige
100007197	SC connector multimode, ceramic	G50/125 OM3	For fibers with secondary coating Ø 900 µm	Aqua
100118379	SC connector, multimode, ceramic	G50/125 OM4	For fibers with secondary coating Ø 900 µm	Violet

15.2.2 SC Plugs FFP

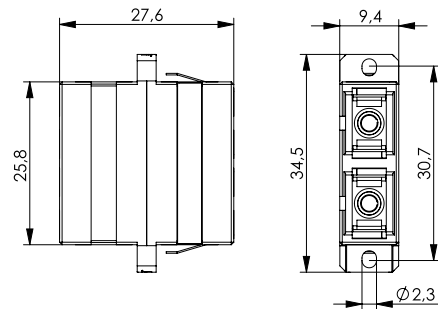
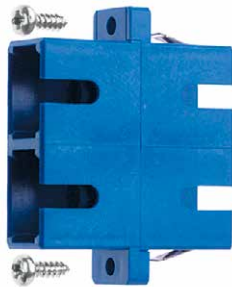
For self-assembly in the field.



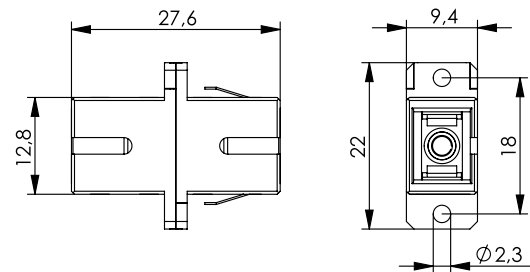
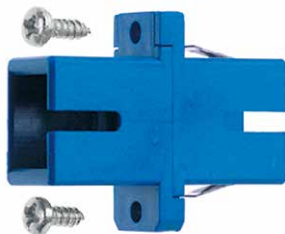
Part No.	Description	Fiber type	Remarks	Housing Colour
100007220	FFP SC connector, OS2/PC, 250/900	E9/125	For fibers with Ø 250 µm or Ø 900 µm	Blue
100007219	FFP SC connector, OS2/APC, 250/900	E9/125	For fibers with Ø 250 µm or Ø 900 µm	Green
100007223	FFP SC connector, OS2/PC, 2000	E9/125	For cables with Ø 2 mm	Blue
100007222	FFP SC connector, OS2/APC, 2000	E9/125	For cables with Ø 2 mm	Green
100007226	FFP SC connector, OS2/PC, 3000	E9/125	For cables with Ø 3 mm	Blue
100007225	FFP SC connector, OS2/APC, 3000	E9/125	For cables with Ø 3 mm	Green
100007221	FFP SC connector, OM3, 250/900	G50/125	For fibers with Ø 250 µm or Ø 900 µm	Aqua
100007224	FFP SC connector, OM3, 2000	G50/125	For cables with Ø 2 mm	Aqua
100007227	FFP SC connector, OM3, 3000	G50/125	For cables with Ø 3 mm	Aqua



Part No.	Description	Fiber type	Remarks
100007228	FFP set SC, OS2/APC, 250/900 with assembly guide	E9/125	For fibers with Ø 250 µm or Ø 900 µm
100007229	FFP set SC, OS2/PC, 250/900 with assembly guide	E9/125	For fibers with Ø 250 µm or Ø 900 µm
100007231	FFP set SC, OS2/APC, 2000 with assembly guide	E9/125	For cables with Ø 2 mm
100007232	FFP set SC, OS2/PC, 2000 with assembly guide	E9/125	For cables with Ø 2 mm
100007234	FFP set SC, OS2/APC, 3000 with assembly guide	E9/125	For cables with Ø 3 mm
100007235	FFP set SC, OS2/PC, 3000 with assembly guide	E9/125	For cables with Ø 3 mm
100007230	FFP set SC, OM3, 250/900 with assembly guide	G50/125	For fibers with Ø 250 µm or Ø 900 µm
100007233	FFP set SC, OM3, 2000 with assembly guide	G50/125	For cables with Ø 2 mm
100007236	FFP set SC, OM3, 3000 with assembly guide	G50/125	For cables with Ø 3 mm



Part No.	Description	Installation	Mount. dim.	Housing colour
100007238	SC duplex adaptor, multimode and singlemode, ceramic sleeve, plastic housing, incl. tapping screws	Snap-in or screw mounting	Z93	Blue
100007244	SC/APC duplex adaptor, singlemode, ceramic sleeve, plastic housing, incl. tapping screws	Snap-in or screw mounting	Z93	Green
100007247	SC duplex adaptor, multimode, ceramic sleeve, plastic housing, incl. tapping screws	Snap-in or screw mounting	Z93	Beige
100007251	SC duplex adaptor, multimode, ceramic sleeve, plastic housing, incl. tapping screws	Snap-in or screw mounting	Z93	Aqua
100007257	SC duplex adaptor, multimode, ceramic sleeve, plastic housing, incl. tapping screws	Snap-in or screw mounting	Z93	Violet
100007242	SC duplex adaptor, multimode and singlemode, ceramic sleeve, metal housing, incl. tapping screws	Snap-in or screw mounting	Z93	Metal



Part No.	Description	Installation	Mount. dim.	Housing colour
100007237	SC adaptor, multimode and singlemode Ceramic sleeve, plastic housing, incl. tapping screws	Snap-in or screw mounting	Z77	Blue
100007243	SC/APC adaptor, singlemode, Ceramic sleeve, plastic housing, incl. tapping screws	Snap-in or screw mounting	Z77	Green
100007245	SC adaptor, multimode, ceramic sleeve, plastic housing, incl. tapping screws	Snap-in or screw mounting	Z77	Beige
100007249	SC adaptor, multimode, ceramic sleeve, plastic housing, incl. tapping screws	Snap-in or screw mounting	Z77	Aqua
100033438	SC adaptor, multimode, ceramic sleeve, plastic housing, incl. tapping screws	Snap-in or screw mounting	Z77	Violett
100007240	SC adaptor, multimode, ceramic sleeve, metal housing, incl. tapping screws	Snap-in or screw mounting	Z77	Metal

15.2.3 SC Adaptors



Part No.	Description	Housing colour
100000567	protection flap, self-closing, for SC duplex adaptor	Blue

15.3 LC Connectors

LC Connectors

Mechanical Characteristics

Type	Connector type LC acc. to IEC 61754-20
Durability (mating cycles)	≥ 1000
Hex crimp size for strain relief	3.24 x 10 mm
Strain relief	≥ 100 N
Material: connector ferrule	Zirkonia ceramic
Material: adaptor split sleeve	Zirkonia ceramic
Material: plug housing	Thermoplastic, flame retardant, non halogen
Material: cable boot, dust caps	Thermoplastic, flame retardant, non halogen
Colour: connector housing/adaptor housing	Multimode: beige, blue, aqua, black, violet; Singlemode: blue; Singlemode APC: green

Climatic Characteristics

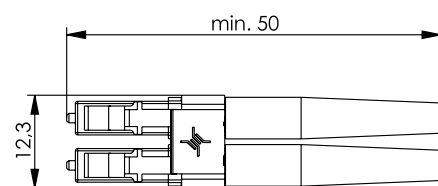
Operating temperature	-20 °C to +80 °C
Storage temperature	-40 °C to +90 °C

Optical Characteristics

Insertion loss: Plug (factory assembly)	Multimode: max. 0.4 dB ¹ Singlemode/Singlemode APC: max. 0.5 dB ¹
Insertion loss: Adaptor (ceramic)	Multi-/Singlemode: max. 0.2 dB ¹ Singlemode APC: max. 0.2 dB ¹

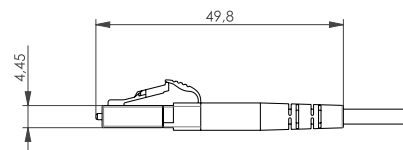
¹ Measurement procedure acc. to IEC 61300-3-4² Measurement procedure acc. to IEC 61300-3-6

15.3.1 LC Plugs



Part No.	Description	Fiber type	Remarks	Housing colour
100007095	LC duplex connector, singlemode, ceramic	E9/125	for cable Ø 1.8 - 2.2 mm	Blue

Part No.	Description	Fiber type	Remarks	Housing colour
100007100	LC duplex connector, singlemode, ceramic	E9/125	For cable Ø 2.6 - 3.2 mm	Blue
100007096	LC duplex connector, multimode, ceramic	G50/125; G62.5/125	For cable Ø 1.8 - 2.2 mm	Beige
100007101	LC duplex connector, multimode, ceramic	G50/125; G62.5/125	For cable Ø 2.6 - 3.2 mm	Beige
100007105	LC duplex connector, multimode, ceramic	G50/125 OM3	For cable Ø 1.8 - 2.2 mm	Aqua
100007104	LC duplex connector, multimode, ceramic	G50/125 OM3	For cable Ø 2.6 - 3.2 mm	Aqua
100007121	LC duplex connector, multimode, ceramic	G50/125 OM4	For cable Ø 1.8 - 2.2 mm	Violet
100007122	LC duplex connector, multimode, ceramic	G50/125 OM4	For cable Ø 2.6 - 3.2 mm	Violet



Part No.	Description	Fiber type	Remarks	Housing Colour
100007097	LC connector, singlemode, ceramic	E9/125	For cable Ø 1.8 - 2.2 mm	Blue
100007099	LC connector, multimode, ceramic	G50/125; G62.5/125	For cable Ø 1.8 - 2.2 mm	Beige
100007106	LC connector, multimode, ceramic	G50/125 OM3	For cable Ø 1.8 - 2.2 mm	Aqua
100007119	LC connector, multimode, ceramic	G50/125 OM4	For cable Ø 1.8 - 2.2 mm	Violet

LC Plugs FFP

15.3.2

For self-assembly in the field



Part No.	Description	Fiber type	Remarks
100007126	FFP LC connector, OS2/PC, 250/900	E9/125	For fibers with Ø 250 µm or Ø 900 µm
100007125	FFP LC connector, OS2/APC, 250/900	E9/125	For fibers with Ø 250 µm or Ø 900 µm
100007129	FFP LC connector, OS2/APC, 2000	E9/125	For cables with Ø 2 mm
100007128	FFP LC connector, OS2/APC, 2000	E9/125	For cables with Ø 2 mm
100007131	FFP LC connector, OS2/APC, 3000	E9/125	For cables with Ø 3 mm
100007132	FFP LC connector, OS2/PC, 3000	E9/125	For cables with Ø 3 mm
100007127	FFP LC connector, OM3, 250/900	G50/125	For fibers with Ø 250 µm or Ø 900 µm
100007130	FFP LC connector, OM3, 2000	G50/125	For cables with Ø 2 mm
100007133	FFP LC connector, OM3, 3000	G50/125	For cables with Ø 3 mm

15.3.2

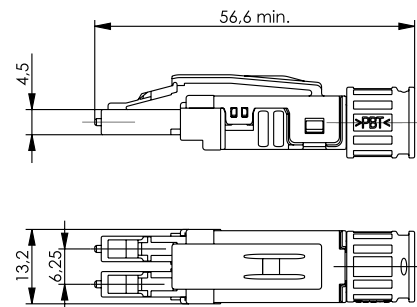
15.3.2 LC Plugs FFP

For self-assembly in the field



Part No.	Description	Fiber type	Remarks
100007134	FFP set LC, OS2/APC, 250/900 with assembly guide	E9/125	For fibers with \varnothing 250 μ m or \varnothing 900 μ m
100007137	FFP set LC, OS2/APC, 2000 with assembly guide	E9/125	For cables with \varnothing 2 mm
100007140	FFP set LC, OS2/APC, 3000 with assembly guide	E9/125	For cables with \varnothing 3 mm
100007136	FFP set LC, OM3, 250/900 with assembly guide	G50/125	For fibers with \varnothing 250 μ m or \varnothing 900 μ m
100007138	FFP set LC, OS2/PC, 2000 with assembly guide	G50/125	For cables with \varnothing 2 mm
100007139	FFP set LC, OM3, 2000 with assembly guide	G50/125	For cables with \varnothing 2 mm
100007141	FFP set LC, OS2/PC, 3000 with assembly guide	G50/125	For cables with \varnothing 3 mm
100007142	FFP set LC, OM3, 3000 with assembly guide	G50/125	For cables with \varnothing 3 mm

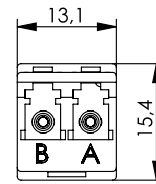
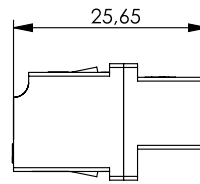
15.3.3 LC Plugs EasyGrip



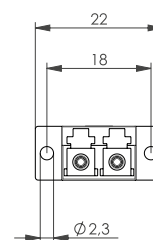
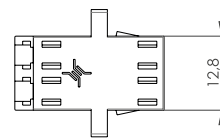
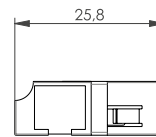
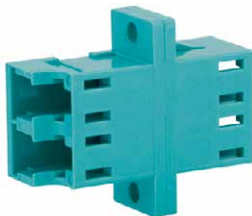
Part No.	Description	Fiber type	Remarks	Housing colour
100007112	LC duplex plug EasyGrip	E9/125	For cable \varnothing 1.8 - 2.2 mm and 2.6 - 3.2 mm	Blue
100007113	LC/APC duplex plug EasyGrip	E9/125	For cable \varnothing 1.8 - 2.2 mm and 2.6 - 3.2 mm	Green
100007114	LC duplex plug EasyGrip	G50/125, G62.5/125	For cable \varnothing 1.8 - 2.2 mm and 2.6 - 3.2 mm	Beige
100007115	LC duplex plug EasyGrip	G50/125 OM3	For cable \varnothing 1.8 - 2.2 mm and 2.6 - 3.2 mm	Aqua
100007123	LC duplex plug EasyGrip	G50/125 OM4	For cable \varnothing 1.8 - 2.2 mm and 2.6 - 3.2 mm	Violet

LC Adaptors

15.3.4



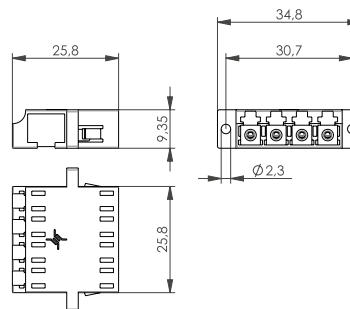
Part No.	Description	Installation	Mount. dim.	Housing colour
100007143	LC duplex adaptor, singlemode, ceramic sleeve, plastic housing	Snap-in mounting	Z99	Blue
100007146	LC/APC duplex adaptor, singlemode, ceramic sleeve, plastic housing	Snap-in mounting	Z99	Green
100007145	LC duplex adaptor, multimode, ceramic sleeve, plastic housing	Snap-in mounting	Z99	Beige
100007151	LC duplex adaptor, Multimode, ceramic sleeve, plastic housing	Snap-in mounting	Z99	Aqua
100007166	LC duplex adaptor, multimode, ceramic sleeve, plastic housing	Snap-in mounting	Z99	Violet
100007179	LC duplex adaptor, multimode, ceramic sleeve, plastic housing	Snap-in mounting	Z99	Lime green



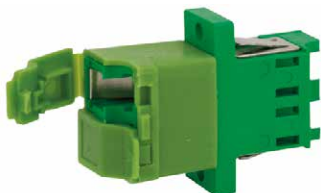
Part No.	Description	Installation	Mount. dim.	Housing colour
100007147	LC duplex adaptor, singlemode, ceramic sleeve, plastic housing	Snap-in or screw mounting	Z77	Blue
100007155	LC/APC duplex adaptor, singlemode, ceramic sleeve, plastic housing	Snap-in or screw mounting	Z77	Green
100007150	LC duplex adaptor, multimode, ceramic sleeve, plastic housing	Snap-in or screw mounting	Z77	Beige
100007158	LC duplex adaptor, multimode, ceramic sleeve, plastic housing	Snap-in or screw mounting	Z77	Aqua
100007167	LC duplex adaptor, multimode, ceramic sleeve, plastic housing	Snap-in or screw mounting	Z77	Violet

15.3.4

15.3.4 LC Adaptors



Part No.	Description	Installation	Mount. dim.	Housing colour
100007153	LC quad adaptor, singlemode, ceramic sleeve, plastic housing	Snap-in or screw mounting	Z93	Blue
100007159	LC/APC quad adaptor, singlemode, ceramic sleeve, plastic housing	Snap-in or screw mounting	Z93	Green
100007152	LC quad adaptor, multimode, ceramic sleeve, plastic housing	Snap-in or screw mounting	Z93	Beige
100007154	LC quad adaptor, multimode, ceramic sleeve, plastic housing	Snap-in or screw mounting	Z93	Aqua
100007165	LC quad adaptor, multimode, ceramic sleeve, plastic housing	Snap-in or screw mounting	Z93	Violet



Part No.	Description	Installation	Mount. dim.	Housing colour
100007164	LC/APC duplex adaptor, singlemode, ceramic sleeve, plastic housing with dust and laser protection cover	Snap-in or screw mounting	Z77	Green

FO Attenuators

15.4

Fiber Optic Attenuators

Climatic Characteristics

Operating temperature	-5 °C to +70 °C
Operating temperature	-25 °C to +80 °C

Optical Characteristics

Connector type: Singlemode PC	SC, LC
Fiber	9/125µm
Wavelength	1250 nm - 1360 nm 1480 nm - 1580 nm
Damping	5/10/15/20/25/30 dB, on request in steps of 1 dB
Damping tolerance	For 1 - 5 dB ± 0.5 dB ¹ For 6 - 10 dB ± 1 dB ¹ For 11 - 20 dB ± 1.5 dB ¹ For 21 - 30 dB ± 2 dB ¹
Lifetime (mating cycles)	≥ 500
Return loss: Singlemode APC	≥ 65 dB ²
Return loss: Singlemode PC	≥ 43 dB ²
Pin (ferrule) / centering sleeve	Ceramic sleeve, slotted

¹ Measurement procedure acc. to IEC 61300-3-4² Measurement procedure acc. to IEC 61300-3-6

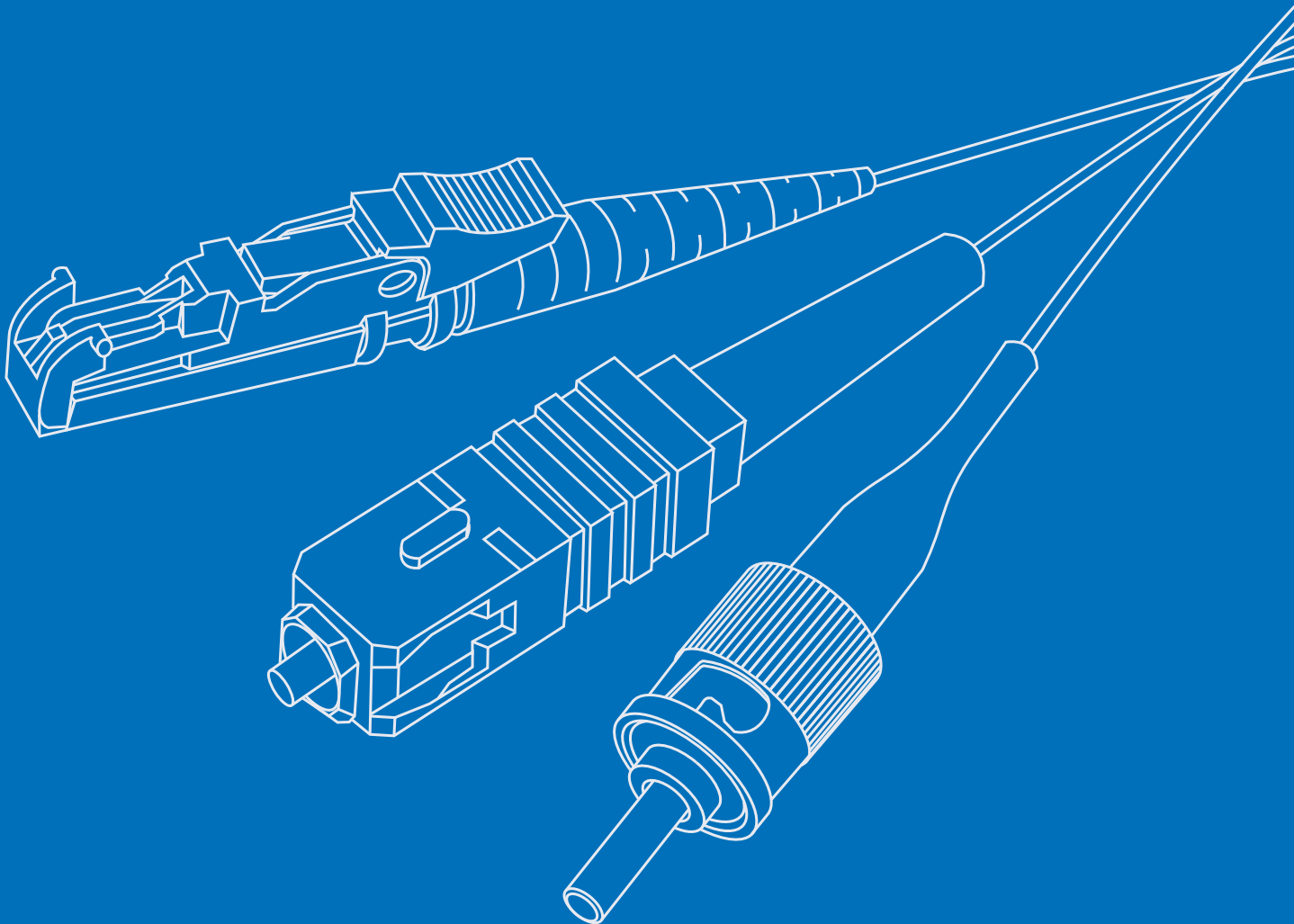
Part No.	Description	Insertion loss
100007309	Attenuator SC, E9/125, 1310/1550 nm	5 dB
100007304	Attenuator SC, E9/125, 1310/1550 nm	10 dB
100007322	Attenuator SC/APC, E9/125, 1310/1550 nm	5 dB
100007321	Attenuator SC/APC, E9/125, 1310/1550 nm	10 dB



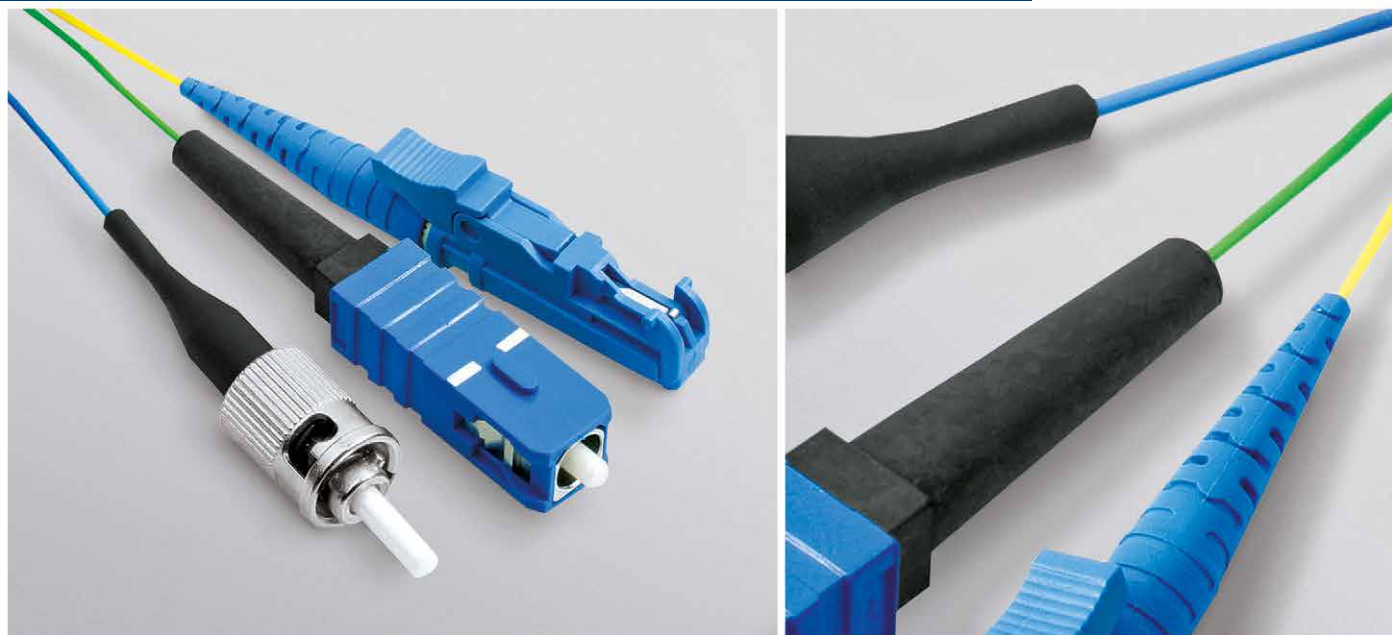
Part No.	Description	Insertion loss
100007349	Attenuator LC, E9/125, 1310/1550 nm	5 dB
100007352	Attenuator LC, E9/125, 1310/1550 nm	10 dB

16

FO PIGTAILS



PIGTAILS



- 16.1 Connector Type: ST..... 190
- 16.2 Connector Type: SC..... 190
- 16.3 Connector Type: LC..... 191
- 16.4 Connector Type: E2000..... 191
- 16.5 Pigtail Sets..... 192

Telegärtner's FO pigtails are field-proven. Their gel-free, easystrip buffering allows stripping of up to one meter of coating at a time for very quick installation. Available individually and as a complete set.

Performance Characteristics

- Available with singlemode and multimode fiber
- Singlemode versions available with PC and APC polishing
- Multimode 50 µm OM2/OM3/OM4 and 62.5 µm
- Singlemode 9 µm

	ST	SC	LC	E2000
Mechanical Characteristics				
Fiber structure acc. to DIN VDE V 0888	I-K...	I-K...	I-K...	I-K...
Diameter, primary/secondary coating	250/900 µm	250/900 µm	250/900 µm	250/900 µm
Max. pulling tension short-term/long-term	3/3 N	3/3 N	3/3 N	3/3 N
Max. Crush resistance long-term	1000 N/m	1000 N/m	1000 N/m	1000 N/m
Min. bending radius	Singlemode: 15 mm , Multimode: 25 mm			
Weight	0.67 kg/km	0.67 kg/km	0.67 kg/km	0.67 kg/km
Housing	Metal	Plastic	Plastic	Plastic
Climatic Characteristics				
Operating temperature	-5 °C to +55 °C	-5 °C to +55 °C	-5 °C to +55 °C	-5 °C to +55 °C
Storage temperature	-30 °C to +70 °C	-30 °C to +70 °C	-30 °C to +70 °C	-30 °C to +70 °C
Installation temperature	-5 °C to +50 °C	-5 °C to +50 °C	-5 °C to +50 °C	-5 °C to +50 °C
Halogen-free acc. to	IEC 60754-2	IEC 60754-2	IEC 60754-2	IEC 60754-2
Technical Characteristics				
Application	Pigtail			
Optical Characteristics				
Insertion loss	Singlemode: max. 0.4 dB ¹ ; Multimode: max. 0.3 dB ¹			
Return loss	Singlemode: min. 40 dB ² (APC: min. 60 dB ²); Multimode: min. 30 dB ²			
Life	≥ 1000 mating cycles			

¹ Measurement procedure acc. to IEC 61300-3-4

² Measurement procedure acc. to IEC 61300-3-6

16 PIGTAILS

16.1 Connector Type: ST

- Available with singlemode and multimode fibers
- Multimode 50 µm OM2/OM3/OM4 and 62.5 µm
- Singlemode 9 µm
- Singlemode versions available with PC and APC polishing



► Part No.	Fiber type	Connector type	Fiber colour	Length
100010836	E9/125 OS2	ST	Yellow	2 m
100010842	G62.5/125 OM1	ST	Blue	2 m
100010839	G50/125 OM2	ST	Green	2 m
100010854	G50/125 OM3	ST	Aqua	2 m
100010861	G50/125 OM4	ST	Violet	2 m

16.2 Connector Type: SC

- Available with singlemode and multimode fibers
- Multimode 50 µm OM2/OM3/OM4 and 62.5 µm
- Singlemode 9 µm
- Singlemode versions available with PC and APC polishing



► Part No.	Fiber type	Connector type	Length	Fiber colour	Housing colour
100012041	E9/125 OS2	SC	2 m	Yellow	Blue
100012048	E9/125 OS2	SC/APC	2 m	Yellow	Green
100012043	G62.5/125 OM1	SC	2 m	Blue	Beige
100012042	G50/125 OM2	SC	2 m	Green	Beige
100012050	G50/125 OM3	SC	2 m	Aqua	Aqua
100012065	G50/125 OM4	SC	2 m	Violet	Violet

Connector Type: LC

16.3

- Available with singlemode and multimode fibers
- Multimode 50 µm OM2/OM3/OM4 and 62.5 µm
- Singlemode 9 µm
- Singlemode versions available with PC and APC polishing



Part No.	Fiber type	Connector type	Length	Fiber colour	Housing colour
100011712	E9/125 OS2	LC	2 m	Yellow	Blue
100011722	E9/125 OS2	LC/APC	2 m	Yellow	Green
100011714	G62.5/125 OM1	LC	2 m	Blue	Beige
100011713	G50/125 OM2	LC	2 m	Green	Beige
100011715	G50/125 OM3	LC	2 m	Aqua	Aqua
100011731	G50/125 OM4	LC	2 m	Violet	Violet

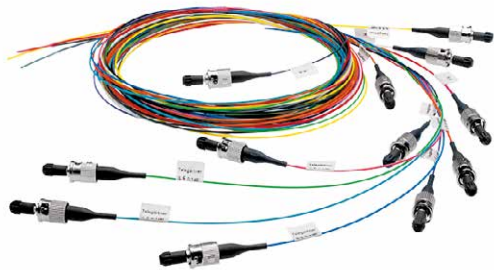
Connector Type: E2000

16.4



Part No.	Fiber type	Connector type	Length	Housing colour
100011250	E9/125 OS2	E2000/APC	2 m	Green

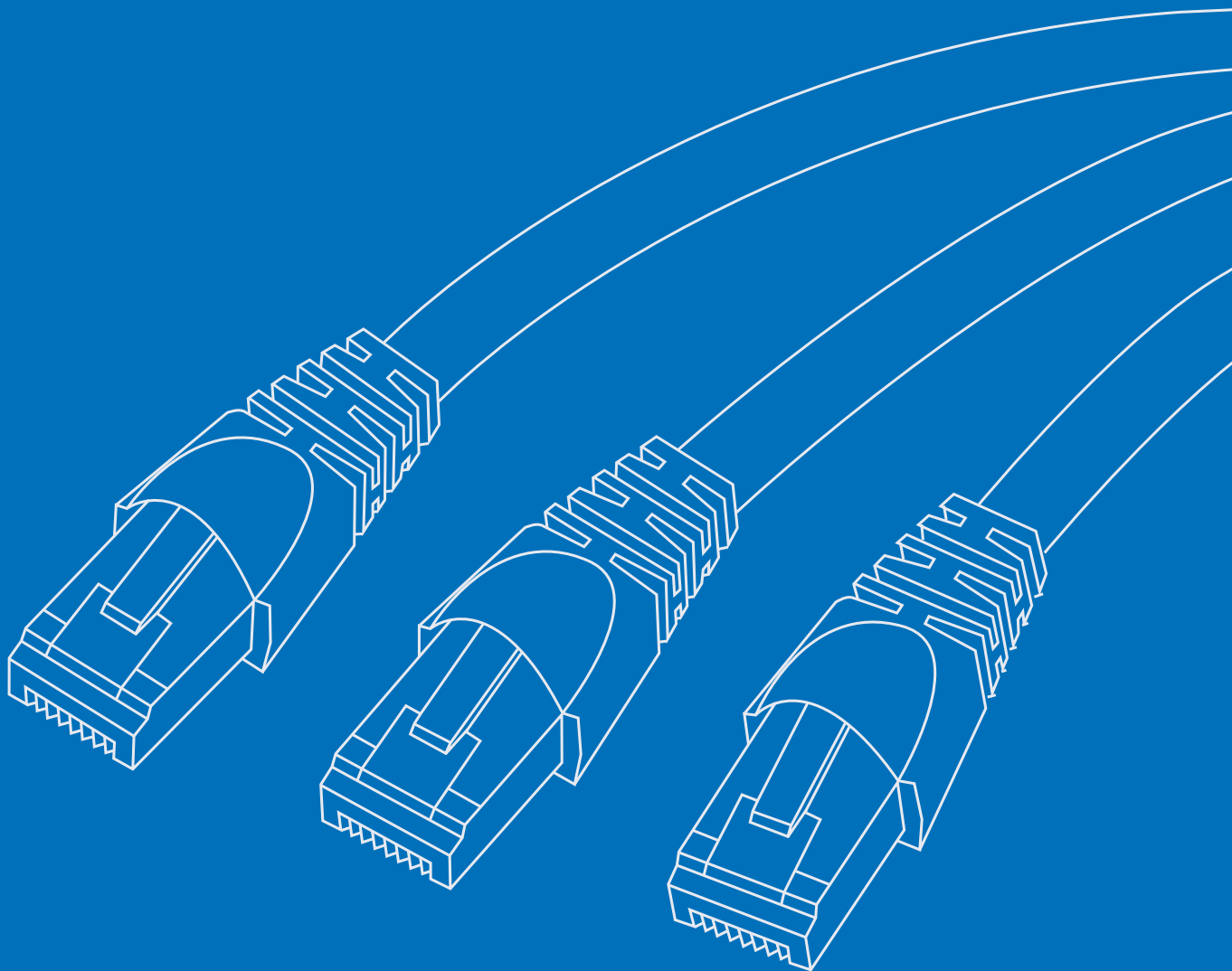
16.5 Pigtail Sets



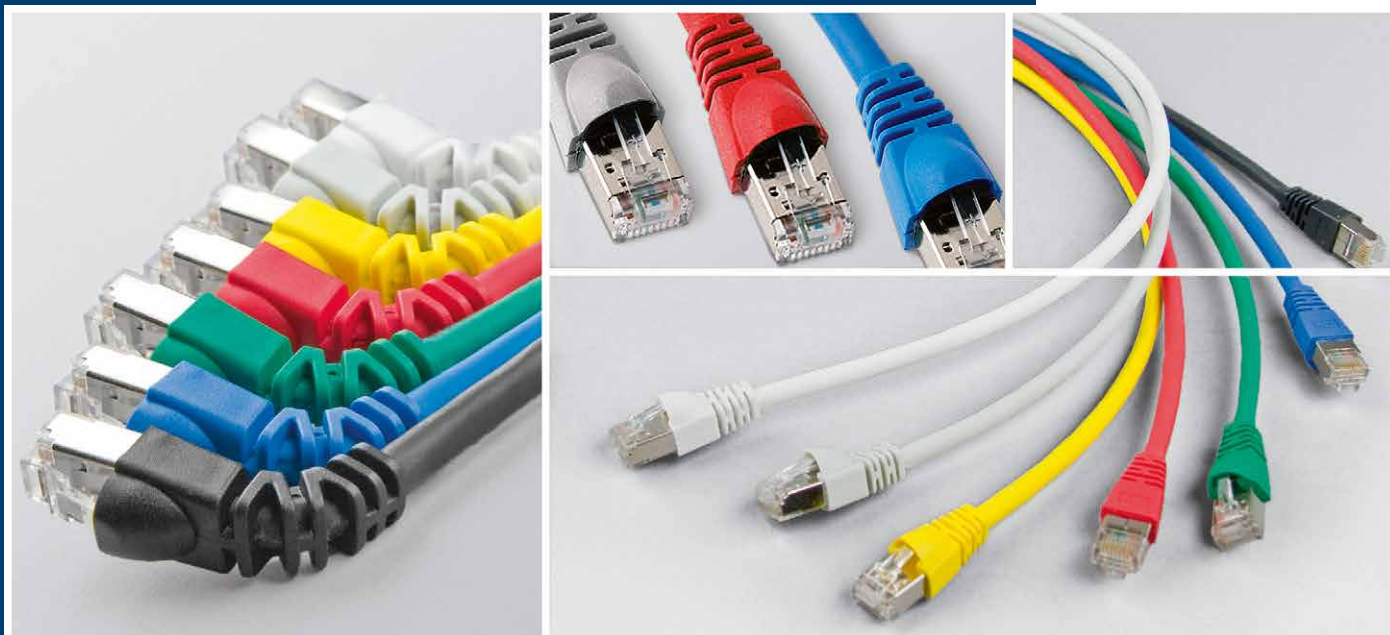
Part No.	Description	Pigtails	Remarks	Housing colour
100010858	Pigtail set	12 x E9/125, OS2, 2 m, ST	Colours acc. to IEC 60304	Metal
100012052	Pigtail set	12 x E9/125, OS2, 2 m, SC	Colours acc. to IEC 60304	Blue
100012046	Pigtail set	12 x E9/125, OS2, 2 m, SC/APC	Colours acc. to IEC 60304	Green
100011719	Pigtail set	12 x E9/125, OS2, 2 m, LC	Colours acc. to IEC 60304	Blue
100011725	Pigtail set	12 x E9/125, OS2, 2 m, LC/APC	Colours acc. to IEC 60304	Green
100011259	Pigtail set	12 x E9/125, OS2, 2 m, E2000/APC	Colours acc. to IEC 60304	Green
100010856	Pigtail set	12 x G50/125, OM2, 2 m, ST	Colours acc. to IEC 60304	Metal
100012047	Pigtail set	12 x G50/125, OM2, 2 m, SC	Colours acc. to IEC 60304	Beige
100011718	Pigtail set	12 x G50/125, OM2, 2 m, LC	Colours acc. to IEC 60304	Beige
100010864	Pigtail set	12 x G50/125, OM3, 2 m, ST	Colours acc. to IEC 60304	Metal
100012044	Pigtail set	12 x G50/125, OM3, 2 m, SC	Colours acc. to IEC 60304	Aqua
100011720	Pigtail set	12 x G50/125, OM3, 2 m, LC	Colours acc. to IEC 60304	Aqua
100010866	Pigtail set	12 x G50/125, OM4, 2 m, ST	Colours acc. to IEC 60304	Metal
100012064	Pigtail set	12 x G50/125, OM4, 2 m, SC	Colours acc. to IEC 60304	Violet
100011732	Pigtail set	12 x G50/125, OM4, 2 m, LC	Colours acc. to IEC 60304	Violet

17

COPPER PATCH CORDS



COPPER PATCH CORDS



17.1	Cat.6A	196
17.1.1	Cat.6A - Wiring 1:1 - S/FTP (LSZH) - Shielded.....	196
17.1.2	Cat.6A Mini Patch Cord - Wiring 1:1 - S/FTP (LSZH) - Shielded.....	198
17.1.3	Cat.6A - Test Cable Wiring 1:1 - S/FTP (LSZH) - Shielded.....	199
17.1.4	Cat.6A - Crossover - S/FTP (LSZH) - Shielded.....	199
17.1.5	Cat.6A - Wiring 1:1 - U/UTP (LSZH) - Unshielded.....	200
17.1.6	Defined Disconnect CP-Link.....	200
17.2	Cat.6	201
17.2.1	Cat.6 - Wiring 1:1 - U/UTP (LSZH) - Unshielded.....	201
17.3	Cat.5	202
17.3.1	Cat.5 - Wiring 1:1 - U/UTP (PVC) - Unshielded.....	202
17.3.2	Cat.5 - Wiring 1:1 - F/UTP (LSZH) - Shielded.....	203

Performance Characteristics

- Pin assignment acc. to ANSI/TIA-568.2
- 90° / 180° / 270° moulded boot with latch protection
- Colours: grey, green, red, blue, yellow, black, white, purple
- Variants with very short boot

	Patch Cords Shielded 500 MHz/ Cat.6A S/FTP LSZH	Mini Patch Cords Shielded 500 MHz/ Cat.6A S/FTP LSZH	Patch Cords Unshielded 500MHz/ Cat.6A U/UTP LSZH
Standards			
Connectors	IEC 60603-7-51	IEC 60603-7-51	IEC 60603-7-41
Mechanical Characteristics			
Cable structure	Li02YSCH 4x2xAWG27/7 PiMF	Li02YSCH 4x2xAWG30/7	Li2YH 4x2xAWG24/7
Stranded wire	AWG27 (7/0.14 mm)	AWG30 (7/0.1 mm)	AWG24 (7/0.2 mm)
Insulation	PE, Ø 1.02 mm (± 0.05 mm)	PE, Ø 0.73 (± 0.05 mm)	PE; Ø 1.0 mm (± 0.05 mm)
Pair shielding	Al-foil, conductive side facing outwards	Aluminum coated plastic composite film	-
Overall shielding	Tin plated copper braid	Tin plated copper braid	-
Outer jacket	5.8 mm (± 0.2 mm)	4.9 mm (± 0.3 mm)	6.1 mm (± 0.2 mm)
Climatic Characteristics			
Flame-retardant test	IEC 60332-1	IEC 60332-1	IEC 60332-1
UL listing	E244889	E244889	E244889
Operating temperature	-40 °C to +75 °C	-40 °C to +75 °C	-20 °C to +75 °C
Electrical Characteristics			
Current carrying capacity at 50 °C	1 A	1 A	1 A
PoE acc. to IEEE 802.3af		Adequate for 10 Gigabit Ethernet	
PoE+ acc. to IEEE 802.3at		Adequate for Power over Ethernet+	
4PPoE acc. to IEEE 802.3bt	Adequate for 4 Pair Power over Ethernet	-	-
Transmission Characteristics			
10 Gigabit Ethernet acc. to IEEE 802.3an		Adequate for 10 Gigabit Ethernet	

	Patch Cords Unshielded 250MHz/ Cat.6 U/UTP LSZH	Patch Cords Unshielded 100MHz/ Cat.5 U/UTP PVC	Patch Cords Shielded 100 MHz/ Cat.5 F/UTP LSZH
Standards			
Connectors	IEC 60603-7-4	IEC 60603-7-2	IEC 60603-7-3
Mechanical Characteristics			
Cable structure	Li2YH 4x2xAWG24/7	Li2YY 4x2xAWG24/7	Li2Y(ST)H 4x2xAWG26/7
Stranded wire	AWG24 (7/0.2 mm)	AWG24 (7/0.2 mm)	AWG26 (7/0.16mm)
Insulation	PE; Ø 1.0 mm (± 0.05 mm)	PE; Ø 0.96 mm (± 0.05 mm)	PE, Ø 0.92 mm (± 0.05 mm)
Outer jacket	5.4 mm (± 0.2 mm)	5.4 mm (± 0.2 mm)	5.5 mm (± 0.2 mm)
Climatic Characteristics			
Flame-retardant test	IEC 60332-1	IEC 60332-1	IEC 60332-1
UL listing	-	UL 1581 FT2 (horizontal flame test)	-
Operating temperature	-20 °C to +60 °C	-20 °C to +60 °C	-20 °C to +60 °C
Electrical Characteristics			
Current carrying capacity at 50 °C	1 A	1 A	1 A
PoE acc. to IEEE 802.3af		Adequate for Power over Ethernet	
PoE+ acc. to IEEE 802.3at		Adequate for Power over Ethernet+	
Transmission Characteristics			
Gigabit Ethernet acc. to IEEE 802.3		Adequate for Gigabit Ethernet	

17 COPPER PATCH CORDS

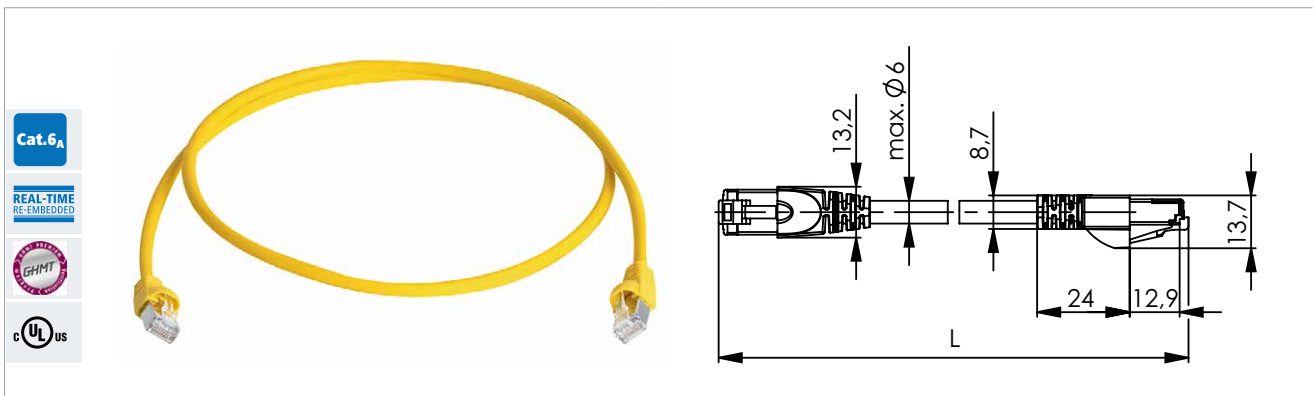
Length tolerances

Length	< 0.5 m	> 0.5 m	> 1.5 m	> 2.5 m	> 5 m	> 8 m	> 15 m	> 20 m	> 50 m	> 100 m
Tolerance	± 1 cm	± 2 cm	± 2.5 cm	± 4 cm	± 6 cm	± 10 cm	± 20 cm	± 30 cm	± 50 cm	± 50 cm

17.1 Cat.6A

17.1.1 Cat.6A - Wiring 1:1 - S/FTP (LSZH) - Shielded

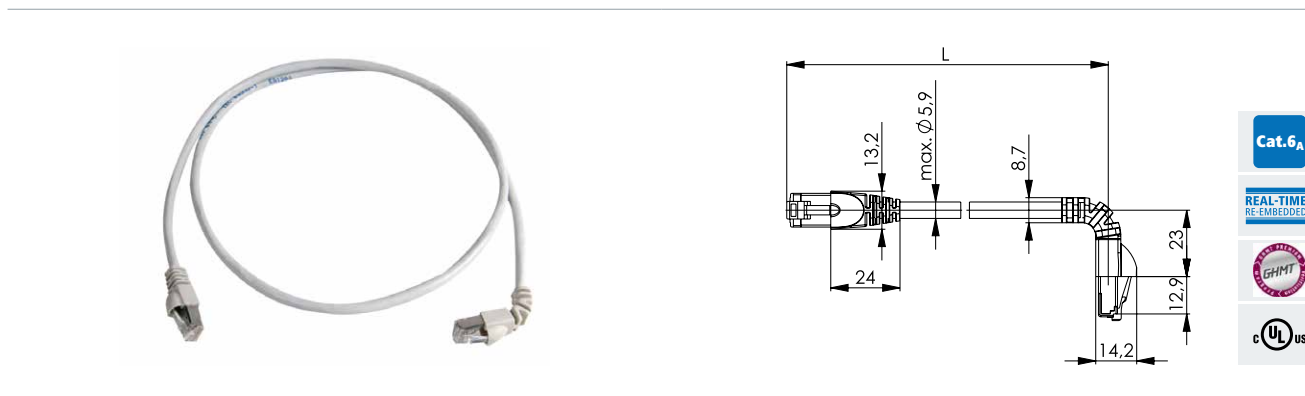
Cat.6A - Wiring 1:1 - S/FTP (LSZH)



Length	Yellow	Grey	Green	Red	Black	Purple	White	Blue
Part No.								
0.25 m	100008032	100008028	100008029	100008030	100008033	100008035	100008034	
0.5 m	100007968	100007964	100007965	100007966	100007969	100008036	100007990	100007967
1 m	100007977	100007973	100007974	100007975	100007978	100008027	100007991	100007976
1.5 m	100008269	100008268		100008297				
2 m	100008266	100008262	100008263	100008264	100008267	100008301	100008274	100008265
2.5 m	100008507	100008469		100008496				
3 m	100008466	100008462	100008463	100008464	100008467	100008499	100008474	100008465
3.5 m	100008704	100008650		100008681				
4 m	100008705	100008657		100008665				
4.5 m	100008706	100008686		100028071				
5 m	100008647	100008643	100008644	100008645	100008648	100008685	100008658	100008646
5.5 m	100028074	100008894		100028072				
6 m	100008863	100008844		100008861				
6.5 m	100028075	100008895		100028073				
7 m	100008923							
7.5 m						100008865	100008833	
10 m	100008985	100008981	100008982	100008983	100008986	100009014	100008990	100008984
10.5 m		100028082						

Length	Yellow	Grey	Green	Red	Black	Purple	White	Blue
Part No.								
11 m		100009303						
11.5 m		100028083						
12 m		100009169						
12.5 m		100009145						
13 m		100009304						
13.5 m		100009336						
14 m		100009305						
14.5 m		100028084						
15 m	100009130	100009114	100009118	100009122	100009134			100009126
20 m	100009131	100009117	100009119	100009123	100009135			100009127
25 m	100009132	100009115	100009120	100009124	100009136			100009128
50 m	100009133	100009116	100009121	100009125	100009137			100009129

Cat.6_A - Wiring 1:1 - S/FTP (LSZH) 1x90° - 1x180° - boot



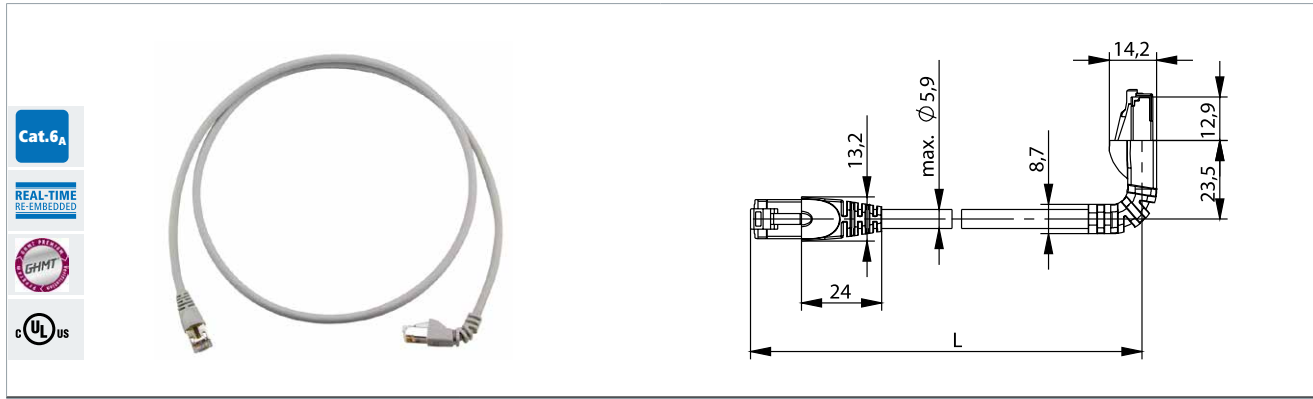
Length	Yellow	Grey	Green	Red	Black	White	Blue
Part No.							
0.5 m	100008018	100008010	100008012	100008014	100008020	100008022	100008016
1 m	100008019	100008011	100008013	100008015	100008021	100008023	100008017
1.5 m		100008286					
2 m	100008293	100008287	100008288	100008289	100008294	100008295	100008291
3 m	100008492	100008487	100008488	100008490	100008489	100008493	100008491
5 m	100008675	100008669	100008671	100008673	100008676	100008677	100008674
7.5 m	100008853	100008848	100008850	100008851	100008854	100008855	100008852
10 m	100009006	100009002	100009003	100009004	100009007	100009008	100009005

17.1.1

17 COPPER PATCH CORDS

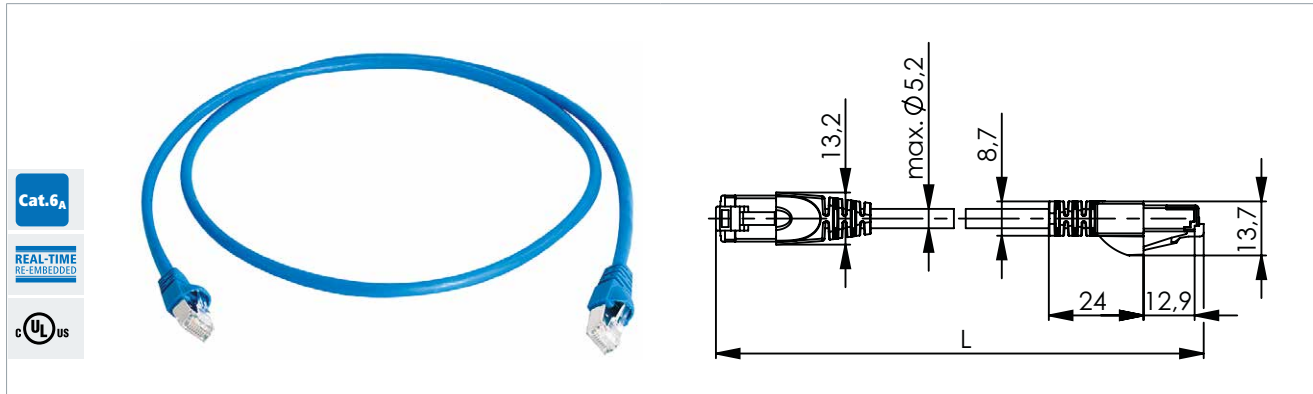
17.1.1 Cat.6A - Wiring 1:1 - S/FTP (LSZH) - Shielded

Cat.6A - Wiring 1:1 - S/FTP (LSZH) 1x270° - 1x180° - boot



Length	Grey
Part No.	
0.5 m	100008040
1 m	100008041
2 m	100008305
3 m	100008502
5 m	100008691
7.5 m	100008875
10 m	100009020

17.1.2 Cat.6A Mini Patch Cord - Wiring 1:1 - S/FTP (LZSH) - Shielded

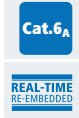
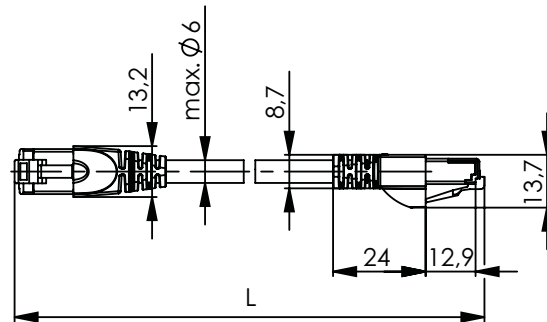
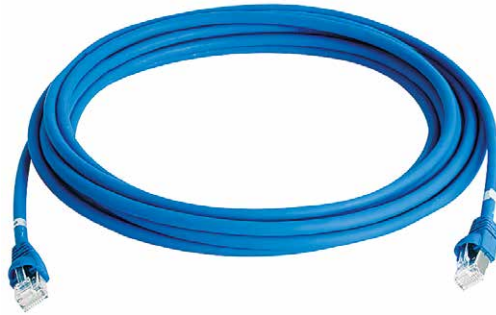


Length	Blue
Part No.	
0.5 m	100008091
1 m	100008092
1.5 m	100008343
2 m	100008344
2.5 m	100008537
3 m	100008538
5 m	100008740
7.5 m	100008912
10 m	100009057

COPPER PATCH CORDS 17

Cat.6A - Test Cable Wiring 1:1 - S/FTP (LSZH) - Shielded

17.1.3



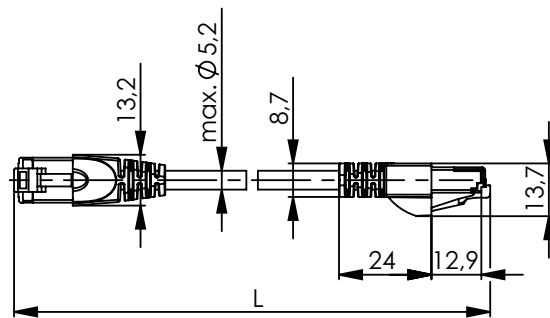
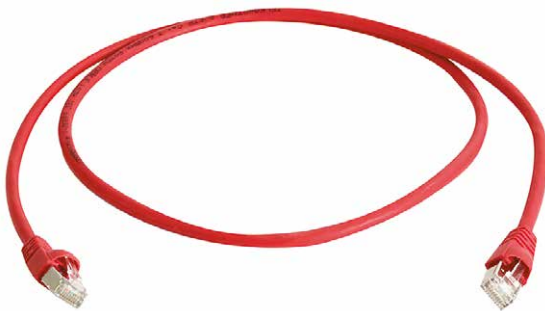
Length Blue

Part No.

5 m 100008642

Cat.6A - Crossover - S/FTP (LSZH) - Shielded

17.1.4



Length Grey Red

Part No.

0.5 m 100007985 100007987

1 m 100007986 100007988

2 m 100008271 100008272

3 m 100008470 100008473

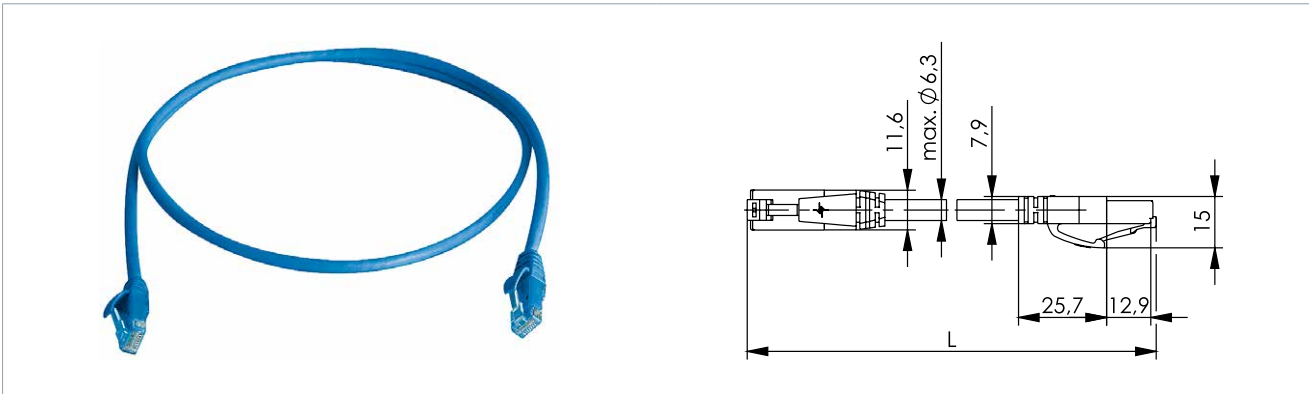
5 m 100008652 100008655

7.5 m 100008832

10 m 100008987 100009015

17 COPPER PATCH CORDS

17.1.5 Cat.6A - Wiring 1:1 - U/UTP (LSZH) - Unshielded

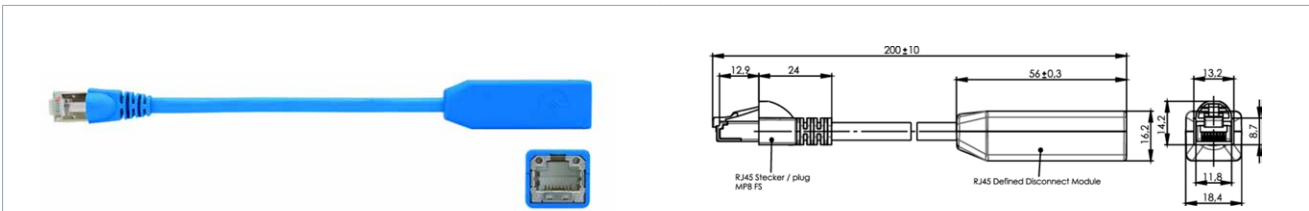


Length	Blue
Part No.	
0.5 m	100008076
1 m	100008077
2 m	100008333
3 m	100008528
5 m	100008733
7.5 m	100008907
10 m	100009045
15 m	100009294
20 m	100009295

17.1.6 Defined Disconnect CP-Link

Performance Characteristics

- Plug and jack: IEC 60603-7-51 compliant
- Life: ≥ 750 mating cycles
- Connection diagram 1:1; pin assignment T568B
- Shielding housing material of jack: die-cast nickel-plated zinc
- Protected release latch
- Contact finish material: Ni1.2Au0.8
- Outer diameter of cable: 5.8 mm (± 0.2 mm)
- Temperature range: -40 °C to +70 °C
- Power over Ethernet plus (PoE+) acc. to IEEE 802.3at
- Housing cover material: ABS blue or white
- Cable: S/FTP 4x2xAWG27/7 Cat.7 LSZH



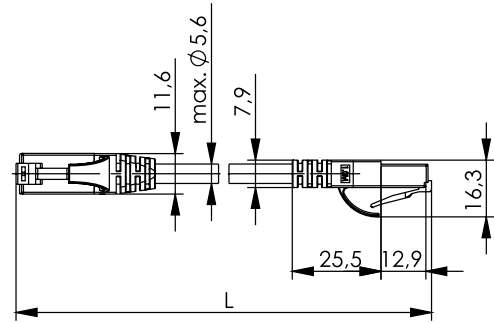
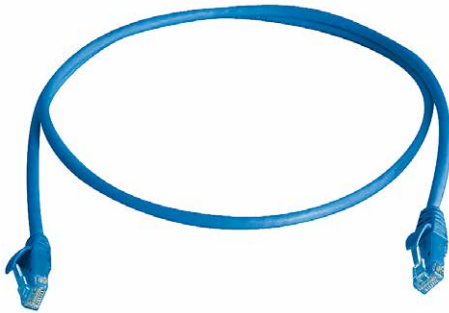
Part No.	Description	Colour	Length
100008045	Defined Disconnect CP-Link	Blue	0.2 m
100008112	Defined Disconnect CP-Link	White	0.2 m

Cat.6

17.2

Cat.6 - Wiring 1:1 - U/UTP (LSZH) - Unshielded

17.2.1

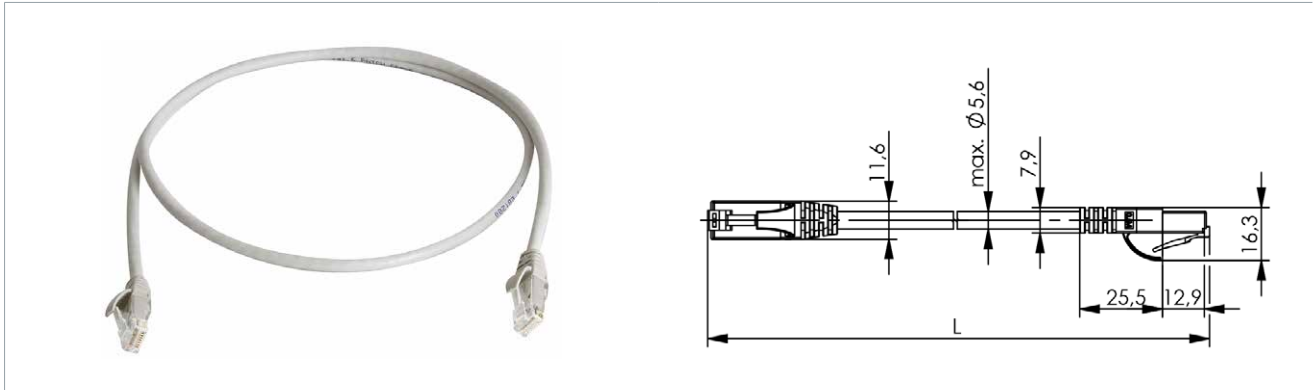


Length	Yellow	Grey	Green	Red	Black	White	Blue
Part No.							
0.5 m	10008055	10008048	10008049	10008051	10008057	10008062	10008053
1 m	10008056	10008044	10008050	10008052	10008058	10008063	10008054
2 m	10008321	10008317	10008318	10008319	10008322	10008327	10008320
3 m	10008518	10008508	10008515	10008516	10008519	10008522	10008517
5 m	10008721	10008717	10008718	10008719	10008722	10008729	10008720
7.5 m	10008900	10008896	10008897	10008898	10008901	10008902	10008899
10 m	10009035	10009031	10009032	10009033	10009036	10009039	10009034
15 m	10009280	10009268	10009271	10009274	10009283		10009277
20 m	10009281	10009269	10009272	10009275	10009284		10009278
25 m	10009282	10009270	10009273	10009276	10009285	10009289	10009279

17 COPPER PATCH CORDS

17.3 Cat.5

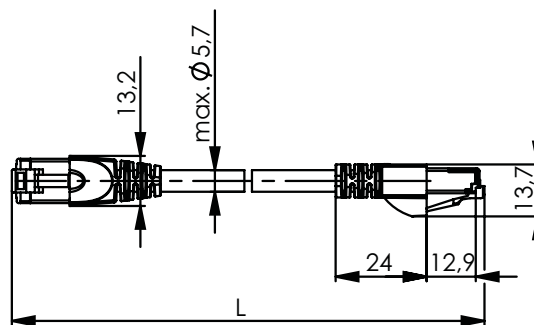
17.3.1 Cat.5 - Wiring 1:1 - U/UTP (PVC) - Unshielded



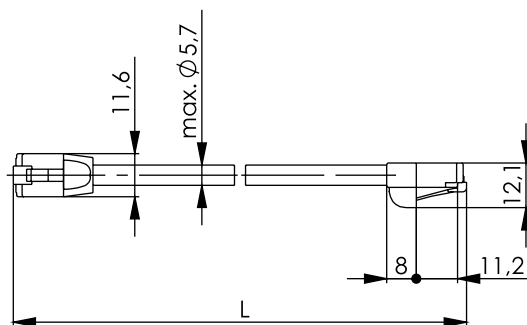
Length	Yellow	Grey	Green	Red	Black
Part No.					
0.5 m	100008201	100008184	100008199	100008200	100008179
1 m	100008205	100008185	100008203	100008204	100008180
1.5 m		100008396			
2 m	100008411	100008394	100008409	100008410	100008392
3 m	100008600	100008583	100008598	100008599	100008582
5 m	100008794	100008783	100008792	100008793	100008781
7.5 m	100008961	100008951	100008959		100008949
10 m	100009093	100009088	100009091	100009092	100009086
15 m		100009372			
25 m		100009373			
50 m		100009374			

Cat.5 - Wiring 1:1 - F/UTP (LSZH) - Shielded

17.3.2



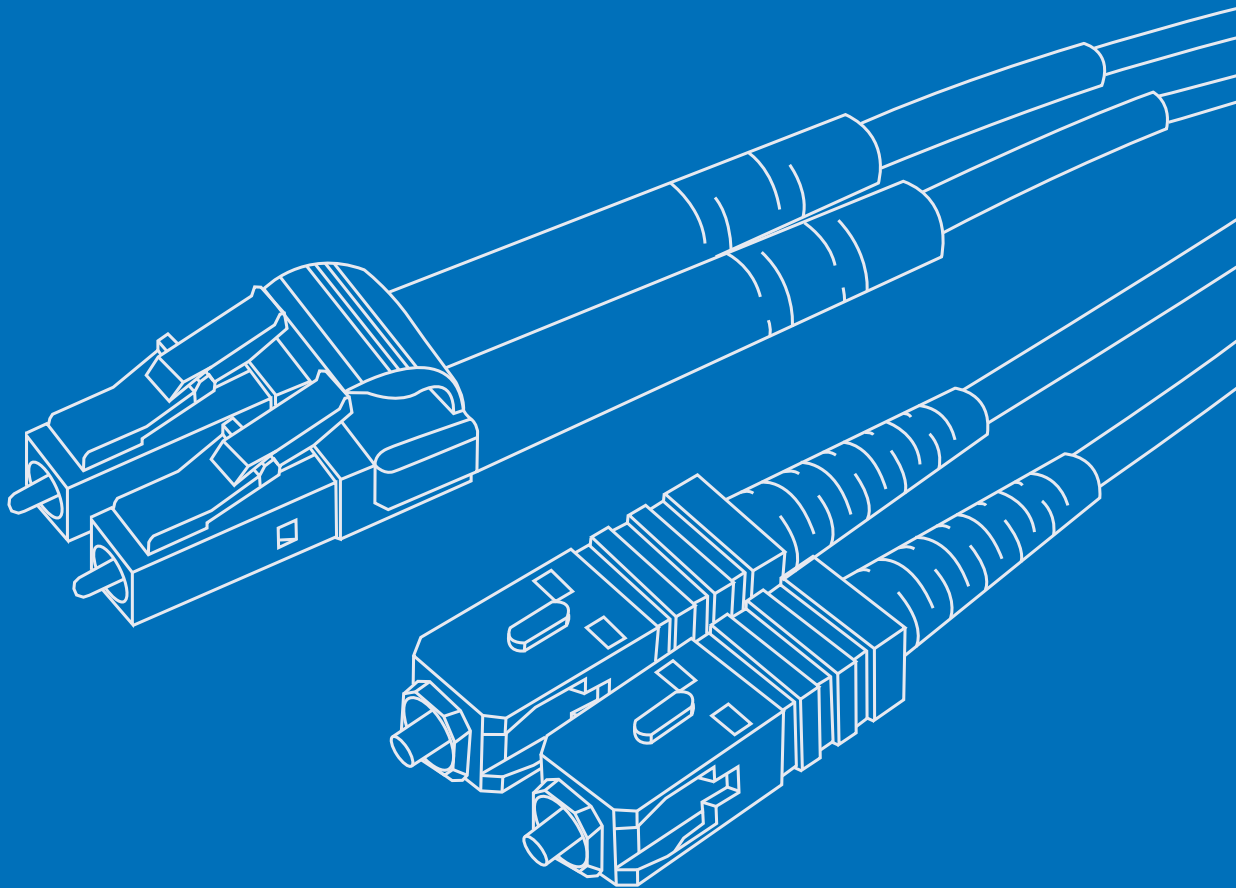
Length	Yellow	Grey	Red	Black	White	Blue
Part No.						
0.25 m		100008165				
0.5 m	100008173	100008175	100008171	100008176	100008162	100008172
1 m	100008168	100008170	100008166	100008177		100008167
2 m	100008380	100008382	100008378	100008391	100008376	100008379
3 m	100008570	100008572	100008568	100008581	100008566	100008569
5 m	100008777	100008779	100008775	100008780	100008774	100008776
7.5 m	100008943	100008945	100008941	100008948	100008940	100008942
10 m	100009084	100009080	100009082	100009085	100009079	100009083
15 m	100009364	100009348	100009356	100009368		100009360
20 m	100009365	100009349	100009357	100009369		100009361
25 m	100009366	100009350	100009358	100009370		100009362
50 m	100009367	100009351	100009359	100009371		100009363



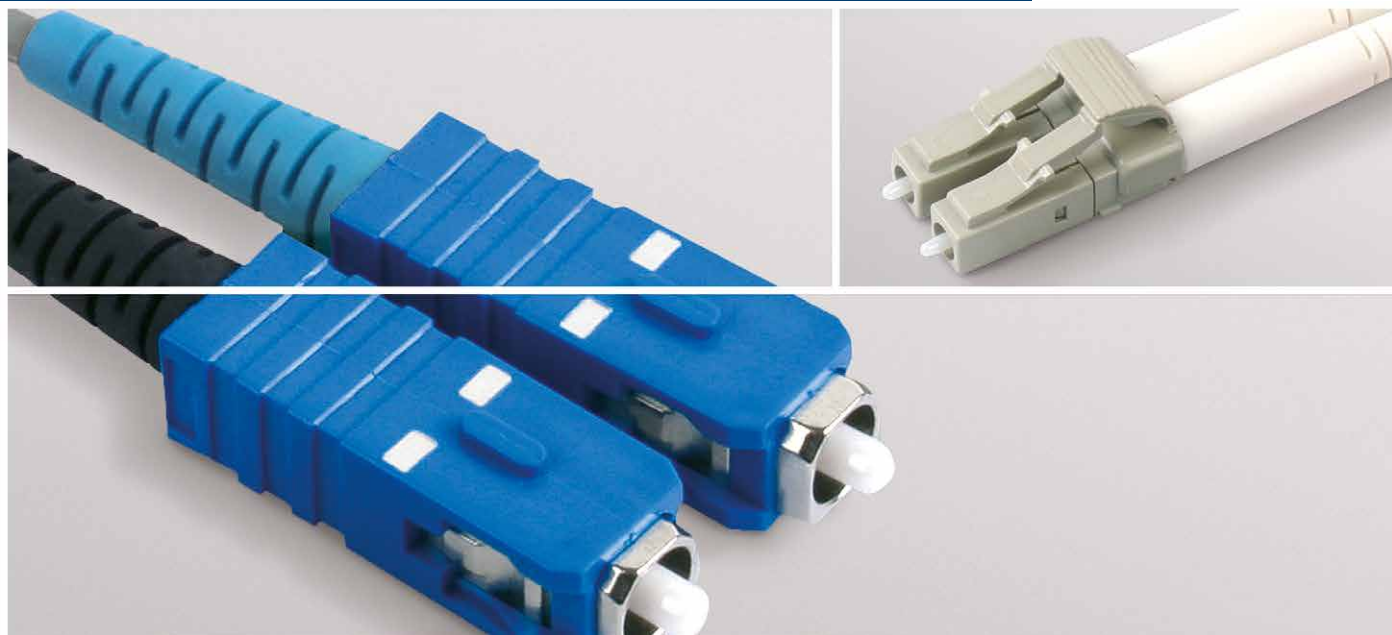
Length	Grey	Black
Part No.		
0.25 m	100008066	100008069
0.5 m	100008067	100008070
1 m	100008068	100008071
2 m	100008328	100008329
3 m	100008523	100008524
5 m	100008730	100008731
7.5 m	100008903	100008904
10 m	100009040	100009041

18

FO PATCH CORDS



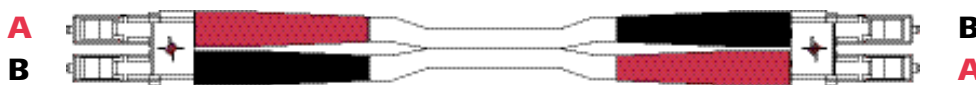
FO PATCH CORDS



18.1	SC.....	208
18.2	ST-SC.....	209
18.3	ST-LC.....	209
18.4	LC Uniboot.....	210
18.5	LC.....	210
18.6	E2000.....	211
18.7	SC-LC.....	211
18.8	ST.....	212
18.9	MPO.....	213
18.10	MPO-LC.....	214

Of all components in a channel, patch cords have to endure highest stress and wear. This is why many users rely on patch cords made by Telegärtner: Perfectly matched components, highest quality standards and completely tracked manufacturing processes make sure the data network works safely and reliably.

In order to connect transmit and receive properly, connector A on one side is connected to connector B on the other side. The connectors are marked by differently coloured cable boots (A = red, B = black)



	Duplex Patch Cord	Uniboot Patch Cord	MPO Patch Cord
Mechanical Characteristics			
Cable structure	I-K(ZN)H 2x1	I-V(ZN)H 1x2	I-F(ZN)H 1x12
Cable type	Zipcord	Mini breakout	Mini loose fibre
Weight	13.6 kg/km	3 kg/km	8 kg/km
Max. pulling tension long-term	200 N	100 N	300 N
Max. crush resistance long-term	1000 N/dm	200 N/dm	150 N/dm
Min. bending radius	28 mm	20 mm	45 mm
Colour of outer jacket	OS2 = yellow, OM1 & OM2 = orange, OM3 = aqua, OM4 = violet, OM5 = lime green		
Climatic Characteristics			
Operating temperature	-20 °C to +70 °C	-20 °C to +70 °C	-5 °C to +55 °C
Storage temperature	-25 °C to +70 °C	-25 °C to +70 °C	-5 °C to +55 °C
Installation temperature	-10 °C to +50 °C	-10 °C to +50 °C	-5 °C to +50 °C
Flame retardancy	IEC 60332-1-2	IEC 60332-1-2	IEC 60332-1-2 & IEC 60332-3-22 Cat. A
Halogen-free	IEC 60754-1	IEC 60754-1	IEC 60754-1
Optical Characteristics			
Insertion loss	SM: < 0.12 (typ. 0.25) dB, MM: < 0.35 (typ. 0.2) dB	SM: < 0.12 (typ. 0.25) dB, MM: < 0.35 (typ. 0.2) dB	SM: < 0.7 (typ. 0.25) dB, MM: < 0.5 (typ. 0.2) dB
Return loss	SM/PC: > 55 dB, SM/APC: > 85 dB, MM: > 27 dB	SM/PC: > 55 dB, SM/APC: > 85 dB, MM: > 27 dB	SM: > 60 dB, MM: > 30 dB
Life	≥ 500 mating cycles	≥ 500 mating cycles	≥ 500 mating cycles

18 FO PATCH CORDS

18.1 SC

- Standard lengths 1 m, 2 m, 3 m, 5 m and 10 m
- Cable type: Zipcord 2.8 x 5.7 mm
- Connector 1: SC duplex (IEC 61754-4)
- Connector 2: SC duplex (IEC 61754-4)
- LSZH
- Polarity: A to B
- Customer specific lengths available in the TICNET configurator at www.telegaertner.com/ticnet-configurator



Length	OS2/PC	OM1	OM2	OM3	OM4 black	OM4 violet
Part No.						
1 m	100011754	100011778	100011777	100011779	100011758	100011766
2 m	100011787	100011817	100011816	100011820	100011800	100011807
3 m	100011823	100011851	100011850	100011857	100011834	100011843
5 m	100011858	100011895	100011894	100011901	100011877	100011888
10 m	100011932	100011964	100011963	100011962	100011948	100011957

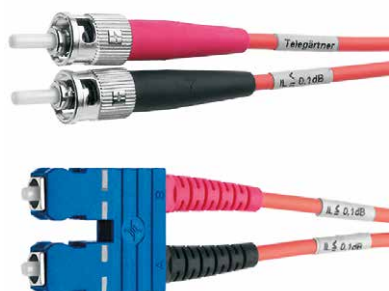
- Standard lengths 1 m, 2 m, 3 m, 5 m and 10 m
- Cable type: Zipcord 2.8 x 5.7 mm
- Connector 1: SC (IEC 61754-4)
- Connector 2: SC (IEC 61754-4)
- LSZH
- Customer specific lengths available in the TICNET configurator at www.telegaertner.com/ticnet-configurator



Length	OS2/PC	OS2/APC	OM1	OM2	OM3	OM4
Part No.						
1 m	100011753	100011794	100011776	100011775	100011782	100011757
2 m	100011786	100011793	100011815	100011814	100011821	100011799
3 m	100011824	100011828	100011853	100011852	100011849	100011833
5 m	100011859	100011864	100011897	100011896	100011903	100011876
10 m	100011933	100011937	100011966	100011965	100011971	100011947

ST-SC 18.2

- Standard lengths 1 m, 2 m, 3 m, 5 m and 10 m
- Cable type: Zipcord 2.8 x 5.7 mm
- Connector 1: ST (IEC 61754-2)
- Connector 2: SC duplex (IEC 61754-4)
- LSZH
- Polarity: A to B
- Customer specific lengths available in the TICNET configurator at www.telegaertner.com/ticnet-configurator



Length	OS2/PC	OM1	OM2	OM3	OM4
Part No.					
1 m	100012072	100012131	100012130	100012142	100012101
2 m	100010746	100012250	100012249	100012235	100012188
3 m	100012256	100012329	100012327	100012337	100012287
5 m	100012347	100012443	100012445	100012451	100012382
10 m	100012554	100012628	100012629	100012633	100012585

ST-LC 18.3

- Standard lengths 1 m, 2 m, 3 m, 5 m and 10 m
- Cable type: Zipcord 2.8 x 5.7 mm
- Connector 1: ST (IEC 61754-2)
- Connector 2: LC duplex (IEC 61754-20)
- LSZH
- Polarity: A to B
- Customer specific lengths available in the TICNET configurator at www.telegaertner.com/ticnet-configurator



Length	OS2/PC	OM1	OM2	OM3	OM4
Part No.					
1 m	100012081	100012080	100012079	100012090	100012102
2 m	100012156	100012158	100012157	100012162	100012189
3 m	100012270	100012358	100012268	100012265	100012288
5 m	100012359	100012269	100012357	100012354	100012383
10 m	100012566	100012565	100012564	100012559	100012586

18 FO PATCH CORDS

18.4 LC Uniboot

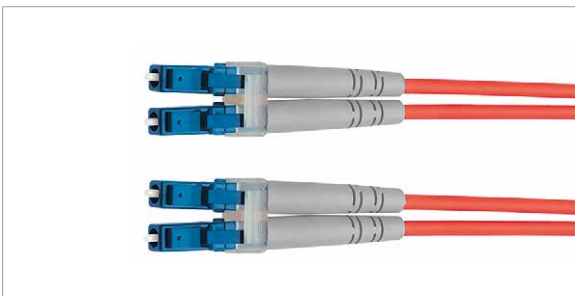
- Extra-long lug for very high port densities
- Cable type: Mini-breakout 2.0 mm
- LSZH
- Connector 1: LC duplex Uniboot (IEC 61754-20)
- Connector 2: LC duplex Uniboot (IEC 61754-20)
- Polarity: A to B can be changed without tools



Length	OS2/PC	OS2/APC	OM3	OM4	OM5
Part No.					
0.5 m	100011311	100011313	100011315	100011317	100011319
1 m	100011312	100011314	100011316	100011318	100011320
1.5 m	100011353	100011355	100011357	100011359	100011361
2 m	100011354	100011356	100011358	100011360	100011362
2.5 m	100011393	100011395	100011397	100011399	100011401
3 m	100011394	100011396	100011398	100011400	100011402
5 m	100011449	100011450	100011451	100011452	100011453
10 m	100011543	100011544	100011545	100011546	100011547

18.5 LC

- Standard lengths 1 m, 2 m, 3 m, 5 m and 10 m
- Cable type: Zipcord 2.8 x 5.7 mm
- Connector 1: LC duplex (IEC 61754-20)
- Connector 2: LC duplex (IEC 61754-20)
- LSZH
- Polarity: A to B
- Customer specific lengths available in the TICNET configurator at www.telegaertner.com/ticnet-configurator



Length	OS2/PC	OS2/APC	OM2	OM3	OM4 black	OM4 violet	OM5	OM1
Part No.								
0.5 m							100011301	
1 m	100011282	100011293	100011280	100011283	100011285	100011295	100011300	100011281
1.5 m							100011344	
2 m	100011322	100011335	100011323	100011325	100011327	100011337	100011343	100011324
2.5 m							100011388	
3 m	100011365	100011377	100011363	100011366	100011368	100011380	100011387	100011364
5 m	100011405	100011426	100011403	100011406	100011410	100011427	100011436	100011404
10 m	100011507	100011527	100011505	100011508	100011512	100011529	100011535	100011506

E2000

18.6

- Standard lengths 1 m, 2 m, 3 m, 5 m and 10 m
- Cable type: Zipcord 2.8 x 5.7 mm
- Connector 1: E2000 compact (IEC 61754-15)
- Connector 2: E2000 compact (IEC 61754-15)
- LSZH
- Polarity: A to B
- Customer specific lengths available in the TICNET configurator at www.telegaertner.com/ticnet-configurator

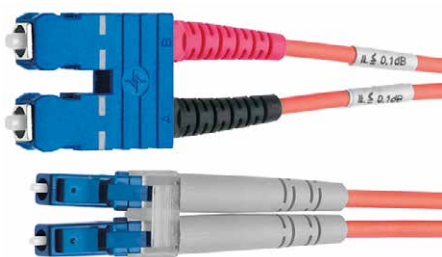


Length	OS2/APC
Part No.	
1 m	100011212
2 m	100011220
3 m	100011227
5 m	100011236
10 m	100011243

SC-LC

18.7

- Standard lengths 1 m, 2 m, 3 m, 5 m and 10 m
- Cable type: Zipcord 2.8 x 5.7 mm
- Connector 1: SC duplex (IEC 61754-4)
- Connector 2: LC duplex (IEC 61754-20)
- LSZH
- Polarity: A to B
- Customer specific lengths available in the TICNET configurator at www.telegaertner.com/ticnet-configurator



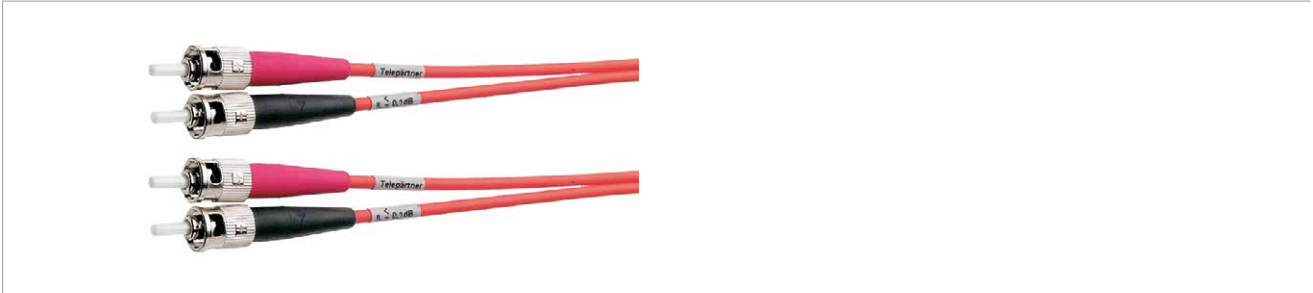
Length	OS2/PC	OM1	OM2	OM3	OM4 black	OM4 violett
Part No.						
1 m	100012082	100012137	100012136	100012141	100012104	100012123
2 m	100012159	100012233	100012232	100012241	100012191	100012217
3 m	100012271	100012334	100012333	100012331	100012290	100012280
5 m	100012360	100012455	100012454	100012450	100012385	100012417
10 m	100012567	100012637	100012636	100012632	100012588	100012615

18 FO PATCH CORDS

18.8

ST

- Standard lengths 1 m, 2 m, 3 m, 5 m and 10 m
- Cable type: Zipcord 2.8 x 5.7 mm
- Connector 1: ST (IEC 61754-2)
- Connector 2: ST (IEC 61754-2)
- LSZH
- Polarity: A to B
- Customer specific lengths available in the TICNET configurator at www.telegaertner.com/ticnet-configurator



Length	OS2/PC	OM1	OM2	OM3	OM4
Part No.					
1 m	100010724	100010723	100010722	100010726	100010730
2 m	100010744	100010743	100010741	100010750	100010752
3 m	100010764	100010763	100010762	100010766	100010769
5 m	100010779	100010778	100010777	100010780	100010786
10 m	100010818	100010817	100010816	100010803	100010805

- High quality MTP® connector
- Connector 1: unpinned ("female")
- Connector 2: unpinned ("female")
- Polarity A, type B and C on request
- Cable diameter: 3.0 mm
- Customized lengths available on request



Length	OS2/APC	OM3	OM4
Part No.			
1 m	100010911	100010909	100010910
2 m	100010952	100010950	100010951
3 m	100010994	100010992	100010993
5 m	100011037	100011035	100011036
10 m	100011096	100011094	100011095
15 m	100011135	100011133	100011134
20 m	100011138	100011136	100011137
25 m	100011141	100011139	100011140
30 m	100011144	100011142	100011143
35 m	100011147	100011145	100011146
40 m	100011150	100011148	100011149
50 m	100011153	100011151	100011152
60 m	100011156	100011154	100011155
70 m	100011159	100011157	100011158
80 m	100011162	100011160	100011161
90 m	100011165	100011163	100011164

18.10 MPO-LC

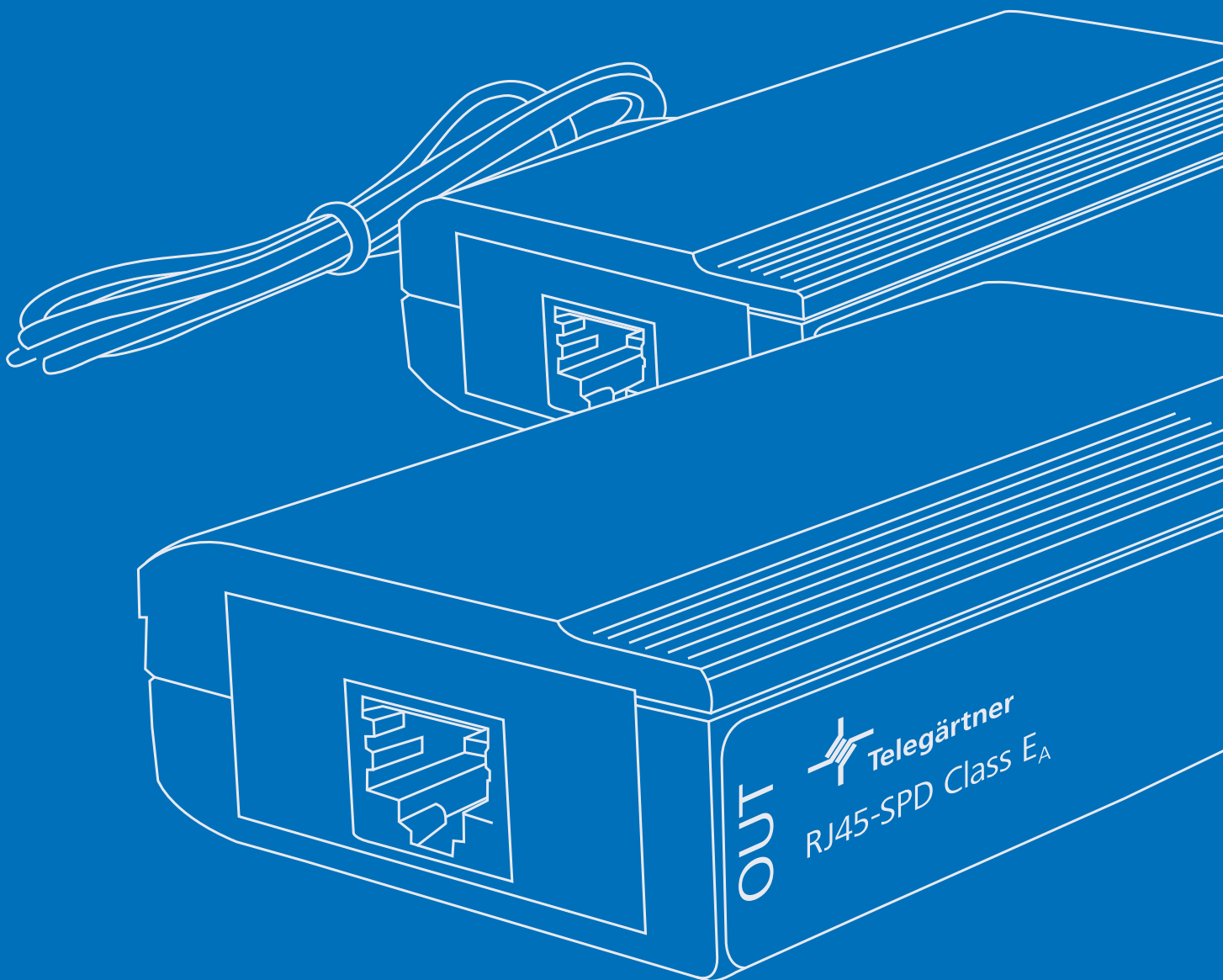
- Low insertion loss versions on request
- Connector 1: MPO/MTP® (IEC 61754-7), pinned (“male”)
- Connector 2: LC (IEC 61754-20)
- Customized lengths available on request
- LSZH



Length	OS2/PC*	OS2/APC*	OM3	OM4
1 m	100010926	100010924	100010920	100010922
2 m	100010967	100010965	100010961	100011107
3 m	100011009	100011007	100011003	100010963
5 m	100011052	100011050	100011046	100011005
10 m	100011111	100011109	100011105	100011048

*applies to LC

SURGE PROTECTION DEVICE



SURGE PROTECTION DEVICE



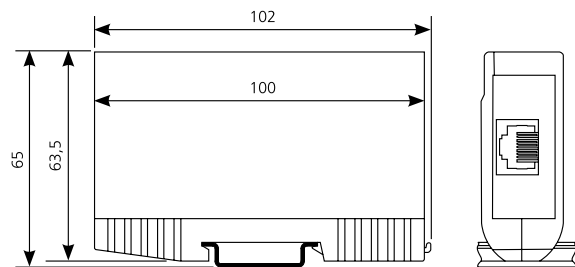
Structured cabling with RJ45 connecting hardware is a vital part of today's telecommunication. 100 % uptime is mandatory for seamless data transmission with data rates up to 10 Gigabits per second. However, galvanic, inductive and capacitive coupling as well as potential differences may cause enormous problems and hazards for any electronics connected to such a network. To protect the electronic equipment, an appropriate RJ45 surge protection with proper grounding has to be implemented in the cabling link.

Surge Protection Device

19.1

Performance Characteristics

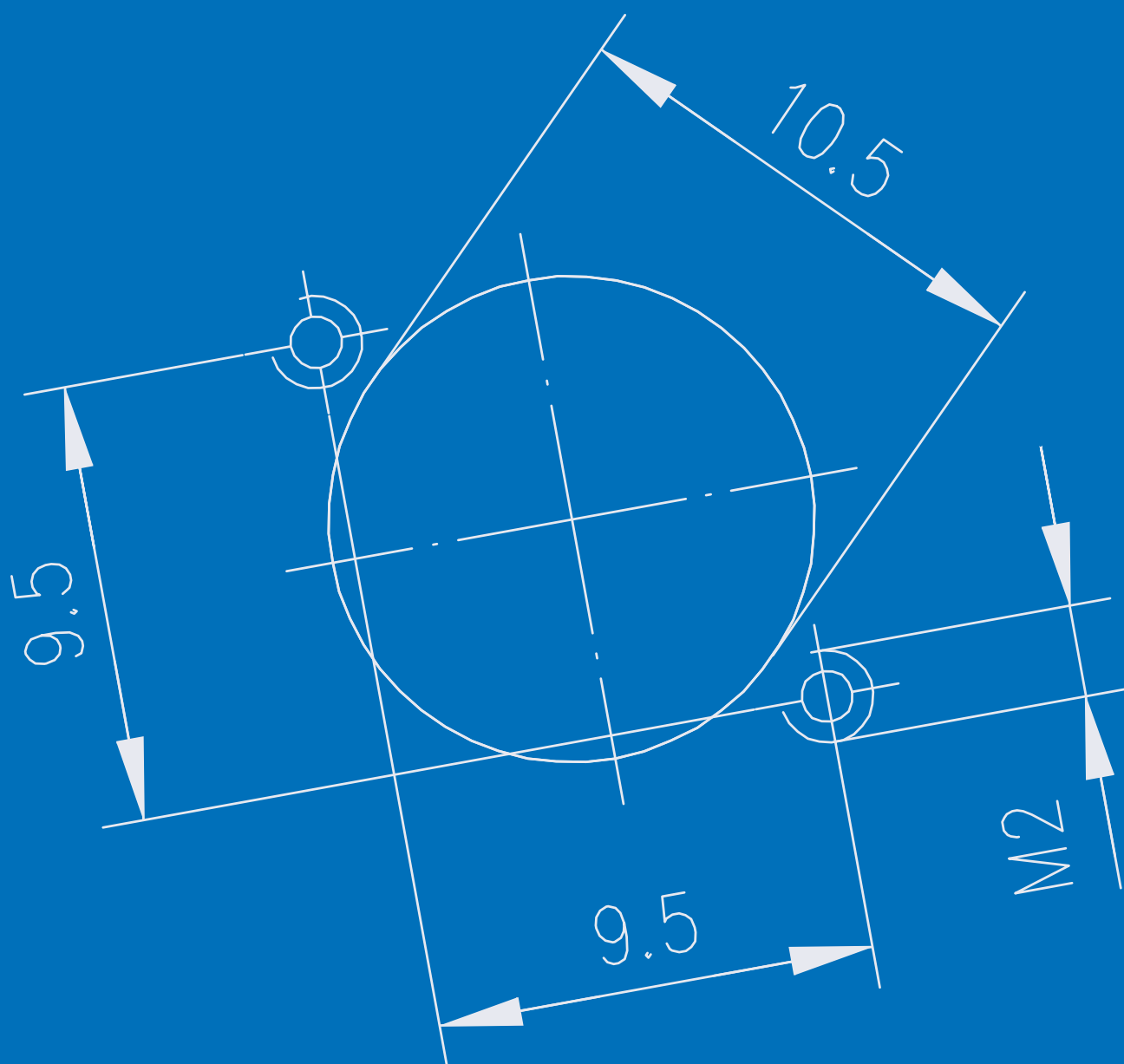
- Protection class: IP20
- Connection IN/OUT: RJ45/RJ11/RJ12
- Mating cycles ≥ 750
- Dimension (H/W/D): 103/25/63 mm
- PoE+ acc. to IEEE 802.3at
- Class E_A (permanet link/channel): ISO/IEC 11801, ANSI/TIA-568.2, EN 50173-1
- Surge protection acc. to DIN EN 61643-21
- Operating temperature: -40 °C to +70 °C
- Mounting rail TH35



Part No.	Description	Type
100023189	Surge Protection Device RJ45-SPD Class E _A	Accepts RJ45/11/12 plugs

20

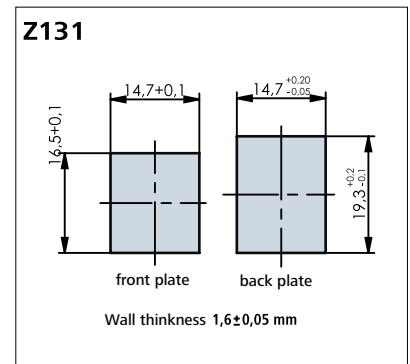
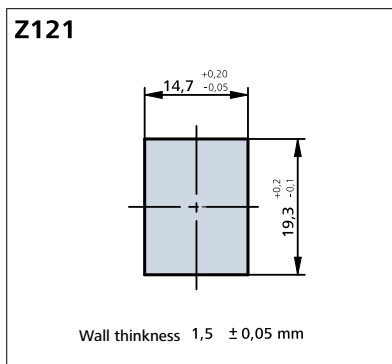
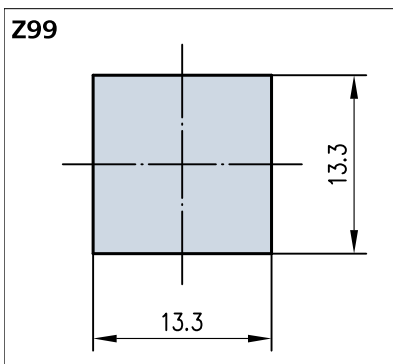
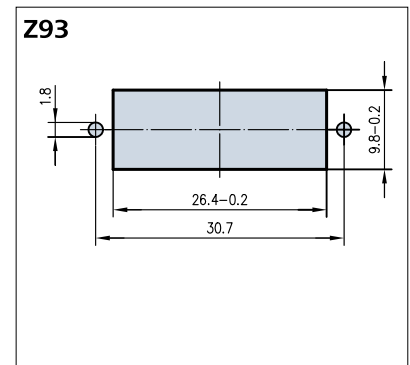
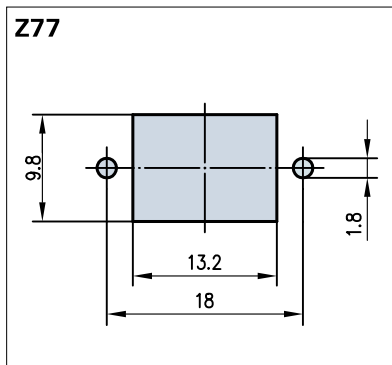
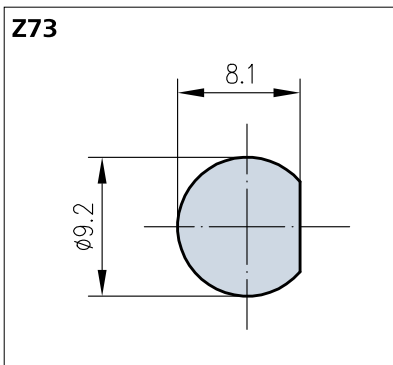
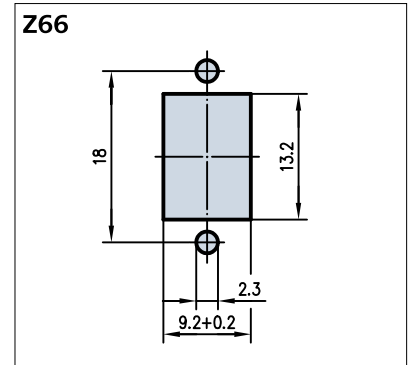
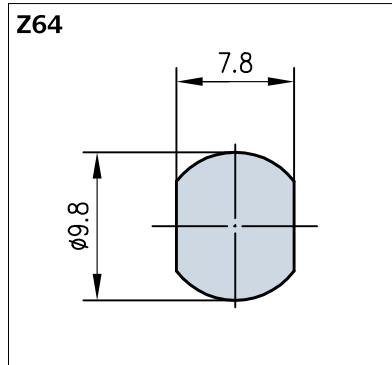
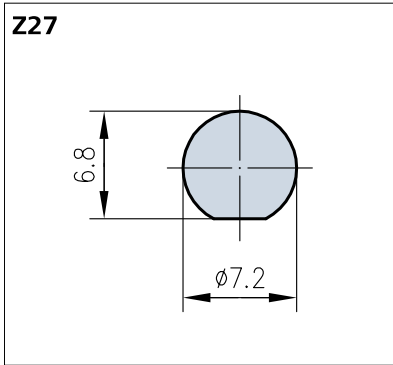
MOUNTING DIMENSIONS



20 MOUNTING DIMENSIONS

Telegärtner is keen to facilitate your product selection, and to offer you practical support in your daily involvement with connectors. For this reason, on the following pages you will find

all the panel piercings shown at diverse connectors as a Panel Piercing Code (e.g. Z66), as a kind of „working tool“.



INDEX OF PART NUMBERS

21 INDEX OF PART NUMBERS

Part No.	Page	Part No.	Page	Part No.	Page	Part No.	Page	Part No.	Page
10000007	148	100007057	174	100007194	177	100008015	197	100008263	196
100000300	168	100007061	174	100007195	177	100008016	197	100008264	196
100000301	168	100007062	174	100007196	177	100008017	197	100008265	196
100000341	74	100007068	174	100007197	177	100008018	197	100008266	196
100000343	74	100007074	175	100007219	178	100008019	197	100008267	196
100000344	74	100007075	175	100007220	178	100008020	197	100008268	196
100000345	74	100007078	175	100007221	178	100008021	197	100008269	196
100000346	74	100007080	175	100007222	178	100008022	197	100008271	199
100000347	74	100007095	180	100007223	178	100008023	197	100008272	199
100000567	180	100007096	181	100007224	178	100008027	196	100008274	196
100000880	176	100007097	181	100007225	178	100008028	196	100008286	197
100000881	176	100007099	181	100007226	178	100008029	196	100008287	197
100000883	176	100007100	181	100007227	178	100008030	196	100008288	197
100000886	176	100007101	181	100007228	178	100008031	196	100008289	197
100000887	176	100007104	181	100007229	178	100008032	196	100008291	197
100001052	166	100007105	181	100007230	178	100008033	196	100008293	197
100001315	96	100007106	181	100007231	178	100008034	196	100008294	197
100001316	96	100007112	182	100007232	178	100008035	196	100008295	197
100001317	96	100007113	182	100007233	178	100008036	196	100008297	196
100001318	96	100007114	182	100007234	178	100008040	198	100008301	196
100001319	96	100007115	182	100007235	178	100008041	198	100008305	198
100001320	96	100007119	181	100007236	178	100008044	201	100008317	201
100001321	96	100007121	181	100007237	179	100008048	201	100008318	201
100001322	96	100007122	181	100007238	179	100008049	201	100008319	201
100001323	96	100007123	182	100007240	179	100008050	201	100008320	201
100001324	96	100007125	181	100007242	179	100008051	201	100008321	201
100006984	81	100007126	181	100007243	179	100008052	201	100008322	201
100006985	37	100007127	181	100007244	179	100008053	201	100008327	201
100006986	37	100007128	181	100007245	179	100008054	201	100008328	203
100006987	80	100007129	181	100007247	179	100008055	201	100008329	203
100006988	80	100007130	181	100007249	179	100008056	201	100008333	200
100006990	80	100007131	181	100007251	179	100008057	201	100008343	198
100006991	81	100007132	181	100007257	179	100008058	201	100008344	198
100006992	82	100007133	181	100007304	185	100008062	201	100008376	203
100006996	42	100007134	182	100007309	185	100008063	201	100008378	203
100006997	80	100007135	182	100007321	185	100008066	203	100008379	203
100006998	80	100007136	182	100007322	185	100008067	203	100008380	203
100006999	80	100007137	182	100007349	185	100008068	203	100008382	203
100007000	82	100007138	182	100007352	185	100008069	203	100008391	203
100007001	82	100007139	182	100007377	74	100008070	203	100008392	202
100007002	43	100007140	182	100007378	74	100008071	203	100008394	202
100007003	43	100007141	182	100007547	120	100008076	200	100008396	202
100007004	81	100007142	182	100007584	177	100008077	200	100008409	202
100007007	35	100007143	183	100007591	177	100008091	198	100008410	202
100007008	35	100007145	183	100007598	177	100008092	198	100008411	202
100007009	36	100007146	183	100007964	196	100008162	203	100008462	196
100007010	36	100007147	183	100007965	196	100008165	203	100008463	196
100007011	36	100007150	183	100007966	196	100008166	203	100008464	196
100007012	36	100007151	183	100007967	196	100008167	203	100008465	196
100007013	36	100007152	184	100007968	196	100008168	203	100008466	196
100007016	42	100007153	184	100007969	196	100008170	203	100008467	196
100007017	42	100007154	184	100007973	196	100008171	203	100008469	196
100007018	42	100007155	183	100007974	196	100008172	203	100008470	199
100007019	83	100007158	183	100007975	196	100008173	203	100008473	199
100007021	36	100007159	184	100007976	196	100008175	203	100008474	196
100007022	36	100007164	184	100007977	196	100008176	203	100008487	197
100007023	43	100007165	184	100007978	196	100008177	203	100008488	197
100007024	43	100007166	183	100007985	199	100008179	202	100008489	197
100007028	35	100007167	183	100007986	199	100008180	202	100008490	197
100007029	36	100007179	183	100007987	199	100008184	202	100008491	196
100007033	43	100007182	177	100007988	199	100008185	202	100008492	197
100007034	42	100007183	177	100007990	196	100008199	202	100008493	197
100007035	42	100007184	177	100007991	196	100008200	202	100008496	196
100007036	37	100007185	177	100008010	197	100008201	202	100008499	196
100007040	37	100007186	177	100008011	197	100008203	202	100008502	198
100007053	174	100007187	177	100008012	197	100008204	202	100008507	196
100007054	174	100007191	177	100008013	197	100008205	202	100008508	201
100007055	174	100007192	177	100008014	197	100008262	196	100008515	201

Part No.	Page	Part No.	Page	Part No.	Page	Part No.	Page	Part No.	Page
100008516.....	201	100008793.....	202	100009014.....	196	100009284.....	201	100010909.....	213
100008517.....	201	100008794.....	202	100009015.....	199	100009285.....	201	100010910.....	213
100008518.....	201	100008826.....	196	100009020.....	198	100009289.....	201	100010911.....	213
100008519.....	201	100008827.....	196	100009030.....	196	100009294.....	200	100010920.....	214
100008522.....	201	100008828.....	196	100009031.....	201	100009295.....	200	100010922.....	214
100008523.....	203	100008829.....	196	100009032.....	201	100009296.....	200	100010924.....	214
100008524.....	203	100008830.....	196	100009033.....	201	100009303.....	197	100010926.....	214
100008528.....	200	100008831.....	196	100009034.....	201	100009304.....	197	100010950.....	213
100008537.....	198	100008832.....	199	100009035.....	201	100009305.....	197	100010951.....	213
100008538.....	198	100008833.....	196	100009036.....	201	100009336.....	197	100010952.....	213
100008566.....	203	100008841.....	196	100009039.....	201	100009348.....	203	100010961.....	214
100008568.....	203	100008842.....	196	100009040.....	203	100009349.....	203	100010963.....	214
100008569.....	203	100008844.....	196	100009041.....	203	100009350.....	203	100010965.....	214
100008570.....	203	100008848.....	197	100009045.....	200	100009351.....	203	100010967.....	214
100008572.....	203	100008850.....	197	100009057.....	198	100009356.....	203	100010992.....	213
100008581.....	203	100008851.....	197	100009079.....	203	100009357.....	203	100010993.....	213
100008582.....	202	100008852.....	197	100009080.....	203	100009358.....	203	100010994.....	213
100008583.....	202	100008853.....	197	100009082.....	203	100009359.....	203	100011003.....	214
100008598.....	202	100008854.....	197	100009083.....	203	100009360.....	203	100011005.....	214
100008599.....	202	100008855.....	197	100009084.....	203	100009361.....	203	100011007.....	214
100008600.....	202	100008857.....	196	100009085.....	203	100009362.....	203	100011009.....	214
100008642.....	199	100008861.....	196	100009086.....	202	100009363.....	203	100011035.....	213
100008643.....	196	100008863.....	196	100009088.....	202	100009364.....	203	100011036.....	213
100008644.....	196	100008865.....	196	100009091.....	202	100009365.....	203	100011037.....	213
100008645.....	196	100008875.....	198	100009092.....	202	100009366.....	203	100011046.....	214
100008646.....	196	100008887.....	196	100009093.....	202	100009367.....	203	100011048.....	214
100008647.....	196	100008894.....	196	100009114.....	197	100009368.....	203	100011050.....	214
100008648.....	196	100008895.....	196	100009115.....	197	100009369.....	203	100011052.....	214
100008650.....	196	100008896.....	201	100009116.....	197	100009370.....	203	100011094.....	213
100008652.....	199	100008897.....	201	100009117.....	197	100009371.....	203	100011095.....	213
100008655.....	199	100008898.....	201	100009118.....	197	100009372.....	202	100011096.....	213
100008657.....	196	100008899.....	201	100009119.....	197	100009373.....	202	100011105.....	214
100008658.....	196	100008900.....	201	100009120.....	197	100009374.....	202	100011107.....	214
100008665.....	196	100008901.....	201	100009121.....	197	100010695.....	83	100011109.....	214
100008669.....	197	100008902.....	201	100009122.....	197	100010722.....	212	100011111.....	214
100008671.....	197	100008903.....	203	100009123.....	197	100010723.....	212	100011133.....	213
100008673.....	197	100008904.....	203	100009124.....	197	100010724.....	212	100011134.....	213
100008674.....	197	100008907.....	200	100009125.....	197	100010726.....	212	100011135.....	213
100008675.....	197	100008912.....	198	100009126.....	197	100010730.....	212	100011136.....	213
100008676.....	197	100008923.....	196	100009127.....	197	100010741.....	212	100011137.....	213
100008677.....	197	100008940.....	203	100009128.....	197	100010743.....	212	100011138.....	213
100008681.....	196	100008941.....	203	100009129.....	197	100010744.....	212	100011139.....	213
100008685.....	196	100008942.....	203	100009130.....	197	100010746.....	209	100011140.....	213
100008686.....	196	100008943.....	203	100009131.....	197	100010750.....	212	100011141.....	213
100008691.....	198	100008945.....	203	100009132.....	197	100010752.....	212	100011142.....	213
100008704.....	196	100008948.....	203	100009133.....	197	100010763.....	212	100011143.....	213
100008705.....	196	100008949.....	202	100009134.....	197	100010764.....	212	100011144.....	213
100008706.....	196	100008951.....	202	100009135.....	197	100010766.....	212	100011145.....	213
100008717.....	201	100008959.....	202	100009136.....	197	100010769.....	212	100011146.....	213
100008718.....	201	100008961.....	202	100009137.....	197	100010777.....	212	100011147.....	213
100008719.....	201	100008981.....	196	100009145.....	197	100010778.....	212	100011148.....	213
100008720.....	201	100008982.....	196	100009169.....	197	100010779.....	212	100011149.....	213
100008721.....	201	100008983.....	196	100009268.....	201	100010780.....	212	100011150.....	213
100008722.....	201	100008984.....	196	100009269.....	201	100010786.....	212	100011151.....	213
100008729.....	201	100008985.....	196	100009270.....	201	100010803.....	212	100011152.....	213
100008730.....	203	100008986.....	196	100009271.....	201	100010805.....	212	100011153.....	213
100008731.....	203	100008987.....	199	100009272.....	201	100010816.....	212	100011154.....	213
100008733.....	200	100008990.....	196	100009273.....	201	100010817.....	212	100011155.....	213
100008740.....	198	100008997.....	196	100009274.....	201	100010818.....	212	100011156.....	213
100008774.....	203	100008998.....	196	100009275.....	201	100010836.....	190	100011157.....	213
100008775.....	203	100009002.....	197	100009276.....	201	100010839.....	190	100011158.....	213
100008776.....	203	100009003.....	197	100009277.....	201	100010842.....	190	100011159.....	213
100008777.....	203	100009004.....	197	100009278.....	201	100010854.....	190	100011160.....	213
100008779.....	203	100009005.....	197	100009279.....	201	100010856.....	192	100011161.....	213
100008780.....	203	100009006.....	197	100009280.....	201	100010858.....	192	100011162.....	213
100008781.....	202	100009007.....	197	100009281.....	201	100010861.....	190	100011163.....	213
100008783.....	202	100009008.....	197	100009282.....	201	100010864.....	192	100011164.....	213
100008792.....	202	100009010.....	196	100009283.....	201	100010866.....	192	100011165.....	213

21 INDEX OF PART NUMBERS

Part No.	Page	Part No.	Page	Part No.	Page	Part No.	Page	Part No.	Page
100011166.....	213	100011404.....	210	100011851.....	208	100012250.....	209	100013200.....	102
100011167.....	213	100011405.....	210	100011852.....	208	100012256.....	209	100013202.....	102
100011168.....	213	100011406.....	210	100011853.....	208	100012265.....	209	100013203.....	107
100011212.....	211	100011410.....	210	100011857.....	208	100012268.....	209	100013204.....	107
100011220.....	211	100011426.....	210	100011858.....	208	100012269.....	209	100013205.....	107
100011227.....	211	100011427.....	210	100011859.....	208	100012270.....	209	100013206.....	107
100011236.....	211	100011436.....	210	100011864.....	208	100012271.....	211	100013207.....	102
100011243.....	211	100011449.....	210	100011876.....	208	100012280.....	211	100013208.....	102
100011250.....	191	100011450.....	210	100011877.....	208	100012287.....	209	100013209.....	102
100011259.....	192	100011451.....	210	100011888.....	208	100012288.....	209	100013210.....	102
100011280.....	210	100011452.....	210	100011894.....	208	100012290.....	211	100013211.....	102
100011281.....	210	100011453.....	210	100011895.....	208	100012327.....	209	100013212.....	102
100011282.....	210	100011505.....	210	100011896.....	208	100012329.....	209	100013213.....	102
100011283.....	210	100011506.....	210	100011897.....	208	100012331.....	211	100013326.....	113
100011285.....	210	100011507.....	210	100011901.....	208	100012333.....	211	100013327.....	113
100011293.....	210	100011508.....	210	100011903.....	208	100012334.....	211	100013328.....	115
100011295.....	210	100011512.....	210	100011932.....	208	100012337.....	209	100013329.....	115
100011300.....	210	100011527.....	210	100011933.....	208	100012347.....	209	100013331.....	114
100011301.....	210	100011529.....	210	100011937.....	208	100012354.....	209	100013348.....	112
100011311.....	210	100011535.....	210	100011947.....	208	100012357.....	209	100013349.....	112
100011312.....	210	100011543.....	210	100011948.....	208	100012358.....	209	100013350.....	113
100011313.....	210	100011544.....	210	100011957.....	208	100012359.....	209	100013396.....	114
100011314.....	210	100011545.....	210	100011962.....	208	100012360.....	211	100013397.....	114
100011315.....	210	100011546.....	210	100011963.....	208	100012382.....	209	100013398.....	114
100011316.....	210	100011547.....	210	100011964.....	208	100012383.....	209	100013399.....	113
100011317.....	210	100011712.....	191	100011965.....	208	100012385.....	211	100013400.....	113
100011318.....	210	100011713.....	191	100011966.....	208	100012417.....	211	100013401.....	114
100011319.....	210	100011714.....	191	100011971.....	208	100012443.....	209	100013402.....	114
100011320.....	210	100011715.....	191	100012041.....	190	100012445.....	209	100013403.....	114
100011322.....	210	100011718.....	192	100012042.....	190	100012450.....	211	100013404.....	113
100011323.....	210	100011719.....	192	100012043.....	190	100012451.....	209	100013405.....	114
100011324.....	210	100011720.....	192	100012044.....	192	100012454.....	211	100013406.....	114
100011325.....	210	100011722.....	191	100012047.....	192	100012455.....	211	100013407.....	114
100011327.....	210	100011725.....	192	100012048.....	190	100012554.....	209	100013408.....	114
100011335.....	210	100011731.....	191	100012050.....	190	100012559.....	209	100013409.....	113
100011337.....	210	100011732.....	192	100012052.....	192	100012564.....	209	100013410.....	114
100011343.....	210	100011753.....	208	100012064.....	192	100012565.....	209	100013411.....	115
100011344.....	210	100011754.....	208	100012065.....	190	100012566.....	209	100013412.....	115
100011353.....	210	100011757.....	208	100012072.....	209	100012567.....	211	100013413.....	115
100011354.....	210	100011758.....	208	100012079.....	209	100012585.....	209	100013414.....	115
100011355.....	210	100011766.....	208	100012080.....	209	100012586.....	209	100013415.....	115
100011356.....	210	100011775.....	208	100012081.....	209	100012588.....	211	100013416.....	115
100011357.....	210	100011776.....	208	100012082.....	211	100012615.....	211	100013417.....	115
100011358.....	210	100011777.....	208	100012090.....	209	100012628.....	209	100013418.....	115
100011359.....	210	100011778.....	208	100012101.....	209	100012629.....	209	100013419.....	115
100011360.....	210	100011779.....	208	100012102.....	209	100012632.....	211	100013420.....	115
100011361.....	210	100011782.....	208	100012104.....	211	100012633.....	209	100013421.....	115
100011362.....	210	100011786.....	208	100012123.....	211	100012636.....	211	100013422.....	115
100011363.....	210	100011787.....	208	100012130.....	209	100012637.....	211	100013423.....	115
100011364.....	210	100011793.....	208	100012131.....	209	100013065.....	106	100013424.....	115
100011365.....	210	100011794.....	208	100012136.....	211	100013066.....	106	100013425.....	115
100011366.....	210	100011799.....	208	100012137.....	211	100013067.....	105	100013426.....	114
100011368.....	210	100011800.....	208	100012141.....	211	100013068.....	105	100013427.....	114
100011377.....	210	100011807.....	208	100012142.....	209	100013070.....	106	100013428.....	114
100011380.....	210	100011814.....	208	100012156.....	209	100013071.....	106	100013487.....	112
100011387.....	210	100011815.....	208	100012157.....	209	100013072.....	106	100013488.....	112
100011388.....	210	100011816.....	208	100012158.....	209	100013073.....	106	100013489.....	112
100011393.....	210	100011817.....	208	100012159.....	211	100013074.....	106	100013490.....	112
100011394.....	210	100011820.....	208	100012162.....	209	100013077.....	102	100013491.....	112
100011395.....	210	100011821.....	208	100012188.....	209	100013078.....	104	100013492.....	112
100011396.....	210	100011823.....	208	100012189.....	209	100013123.....	103	100013493.....	112
100011397.....	210	100011824.....	208	100012191.....	211	100013177.....	101	100013494.....	112
100011398.....	210	100011828.....	208	100012217.....	211	100013178.....	101	100013495.....	112
100011399.....	210	100011833.....	208	100012232.....	211	100013180.....	106	100013496.....	112
100011400.....	210	100011834.....	208	100012233.....	211	100013181.....	104	100013497.....	112
100011401.....	210	100011843.....	208	100012235.....	209	100013182.....	104	100013498.....	112
100011402.....	210	100011849.....	208	100012241.....	211	100013194.....	100	100013499.....	112
100011403.....	210	100011850.....	208	100012249.....	209	100013195.....	100	100013500.....	112

INDEX OF PART NUMBERS 21

Part No.	Page	Part No.	Page	Part No.	Page	Part No.	Page	Part No.	Page
100013501	112	100021630	58	100021931	51	100022038	49	100022179	89
100013505	113	100021631	58	100021932	53	100022039	49	100022181	90
100013506	113	100021632	58	100021933	53	100022047	50	100022188	95
100013509	113	100021643	60	100021936	51	100022048	50	100022194	95
100013541	112	100021644	60	100021937	53	100022049	52	100022236	92
100013542	112	100021645	60	100021938	51	100022050	52	100022237	92
100013543	112	100021646	58	100021939	53	100022054	50	100022238	92
100013544	112	100021647	58	100021942	51	100022055	52	100022239	92
100013545	112	100021680	50	100021943	53	100022056	50	100022240	92
100017124	74	100021681	50	100021946	51	100022057	50	100022241	92
100017125	74	100021682	52	100021947	51	100022058	52	100022242	92
100017127	74	100021683	52	100021948	53	100022059	52	100022243	92
100017128	74	100021684	50	100021949	53	100022061	50	100022244	92
100017130	74	100021685	50	100021953	51	100022062	52	100022245	92
100017132	74	100021686	52	100021954	51	100022068	50	100022246	92
100017133	74	100021687	52	100021955	53	100022069	50	100022247	92
100017134	74	100021693	50	100021956	53	100022070	52	100022249	92
100017135	74	100021694	52	100021957	51	100022071	52	100022258	95
100017136	74	100021721	50	100021958	53	100022075	50	100022259	95
100017137	74	100021722	50	100021960	51	100022076	52	100022272	92
100020622	134	100021723	52	100021961	53	100022077	50	100022281	93
100020623	134	100021724	52	100021962	53	100022078	50	100022282	93
100020632	166	100021728	50	100021965	51	100022081	50	100022283	93
100020633	166	100021729	52	100021966	53	100022087	48	100022291	89
100020634	166	100021759	50	100021977	49	100022088	48	100022312	158
100020635	166	100021760	52	100021978	49	100022089	48	100022318	67
100020636	166	100021762	50	100021980	51	100022090	48	100022331	92
100020639	167	100021763	52	100021981	51	100022091	48	100022332	92
100020640	167	100021866	65	100021982	53	100022092	48	100022333	92
100020641	167	100021867	66	100021983	53	100022094	51	100022364	60
100020642	167	100021875	57	100021984	51	100022095	51	100022365	60
100021116	94	100021876	57	100021985	53	100022096	53	100022366	60
100021119	94	100021877	57	100021986	51	100022097	53	100022367	60
100021314	94	100021883	61	100021987	51	100022098	51	100022368	60
100021328	93	100021885	48	100021990	51	100022099	53	100022369	60
100021331	96	100021886	48	100021994	49	100022106	48	100022370	60
100021339	140	100021887	48	100021995	49	100022107	48	100022371	60
100021350	96	100021888	48	100021996	49	100022108	48	100022372	60
100021352	96	100021890	48	100021997	49	100022109	48	100022373	60
100021353	93	100021891	48	100021998	49	100022110	48	100022374	59
100021366	137	100021892	48	100021999	49	100022111	48	100022375	61
100021369	138	100021898	49	100022000	50	100022112	48	100022376	61
100021370	138	100021899	49	100022001	50	100022117	50	100022377	61
100021371	139	100021900	49	100022002	50	100022118	50	100022378	61
100021372	139	100021901	49	100022003	52	100022119	52	100022379	61
100021379	141	100021902	49	100022004	48	100022120	52	100022380	59
100021381	136	100021903	49	100022005	48	100022124	50	100022381	59
100021382	137	100021904	49	100022006	48	100022125	52	100022382	59
100021383	138	100021905	49	100022007	51	100022126	50	100022383	59
100021385	137	100021908	49	100022008	51	100022127	50	100022384	59
100021396	136	100021909	49	100022009	53	100022128	52	100022385	59
100021397	139	100021910	49	100022015	51	100022129	52	100022386	59
100021415	140	100021911	49	100022016	51	100022130	50	100022387	59
100021416	140	100021912	49	100022017	53	100022131	52	100022388	59
100021419	131	100021913	49	100022018	53	100022135	48	100022389	59
100021426	134	100021914	49	100022019	51	100022136	48	100022392	63
100021444	67	100021915	49	100022020	53	100022137	48	100022393	63
100021492	33	100021916	51	100022021	51	100022138	48	100022394	63
100021494	34	100021917	51	100022023	53	100022139	48	100022396	63
100021496	33	100021918	53	100022024	53	100022140	48	100022397	63
100021497	33	100021919	53	100022027	51	100022154	66	100022398	64
100021498	33	100021924	51	100022028	53	100022158	62	100022399	64
100021502	34	100021925	51	100022032	49	100022160	66	100022402	64
100021503	33	100021926	53	100022033	49	100022161	62	100022405	64
100021505	34	100021927	53	100022034	49	100022168	66	100022406	64
100021507	34	100021928	51	100022035	49	100022176	88	100022408	64
100021508	91	100021929	53	100022036	49	100022177	88	100022409	64
100021629	58	100021930	51	100022037	49	100022178	90	100022410	64

21 INDEX OF PART NUMBERS

Part No.	Page	Part No.	Page	Part No.	Page
100022411.....	63	100023043.....	164	100025934.....	74
100022416.....	64	100023044.....	164	100026366.....	94
100022455.....	157	100023045.....	164	100027773.....	102
100022456.....	157	100023046.....	164	100027776.....	102
100022457.....	157	100023051.....	167	100027778.....	102
100022459.....	156	100023052.....	167	100027780.....	101
100022602.....	62	100023053.....	167	100027782.....	101
100022603.....	63	100023054.....	167	100027783.....	101
100022606.....	63	100023055.....	167	100027785.....	103
100022607.....	62	100023056.....	167	100027786.....	103
100022610.....	63	100023057.....	167	100027787.....	103
100022611.....	63	100023058.....	167	100027790.....	101
100022614.....	62	100023061.....	165	100027792.....	101
100022615.....	63	100023062.....	165	100027903.....	101
100022618.....	156	100023063.....	165	100028018.....	102
100022619.....	156	100023064.....	165	100028019.....	103
100022620.....	156	100023065.....	165	100028020.....	101
100022621.....	156	100023066.....	165	100028071.....	196
100022625.....	158	100023067.....	165	100028072.....	196
100022626.....	158	100023068.....	165	100028073.....	196
100022627.....	158	100023069.....	165	100028074.....	196
100022628.....	158	100023070.....	165	100028075.....	196
100022650.....	142	100023084.....	165	100028076.....	196
100022666.....	58	100023085.....	165	100028077.....	196
100022667.....	58	100023086.....	166	100028078.....	196
100022668.....	142	100023087.....	165	100028079.....	196
100022939.....	148	100023088.....	166	100028080.....	196
100022940.....	149	100023089.....	163	100028081.....	196
100022942.....	149	100023090.....	163	100028082.....	196
100022944.....	149	100023091.....	166	100028083.....	197
100022945.....	147	100023092.....	166	100028084.....	197
100022946.....	147	100023093.....	166	100033438.....	179
100022956.....	148	100023094.....	166	100033451.....	91
100022957.....	150	100023095.....	166	100033540.....	102
100022959.....	146	100023165.....	31	100033543.....	102
100022960.....	146	100023166.....	31	100033545.....	105
100022961.....	150	100023168.....	32	100033713.....	91
100022964.....	135	100023173.....	30	100034491.....	32
100022965.....	135	100023189.....	217	100034493.....	32
100022966.....	131	100023195.....	31	100037418.....	164
100022967.....	131	100023196.....	29	100039917.....	164
100022968.....	135	100023197.....	29	100039918.....	164
100022969.....	135	100023198.....	29	100039920.....	164
100022974.....	132	100023199.....	29	100039921.....	164
100022975.....	132	100023205.....	29	100039922.....	164
100022976.....	132	100023206.....	29	100040203.....	164
100022977.....	132	100023207.....	28	100040222.....	164
100022978.....	135	100023208.....	28	100042316.....	32
100022979.....	135	100023209.....	28	100042431.....	32
100022980.....	135	100023210.....	28	100043154.....	91
100022981.....	135	100023211.....	30	100043165.....	91
100022982.....	133	100023213.....	31	100118379.....	177
100022983.....	133	100023214.....	32	100118380.....	177
100022984.....	133	100023215.....	30	100118402.....	177
100022985.....	133	100023225.....	30		
100022997.....	151	100023227.....	31		
100023002.....	147	100023228.....	31		
100023003.....	141	100023229.....	32		
100023004.....	141	100023231.....	30		
100023019.....	168	100023233.....	31		
100023025.....	168	100023234.....	32		
100023026.....	169	100023273.....	120		
100023037.....	164	100023275.....	121		
100023038.....	164	100023276.....	121		
100023039.....	164	100023277.....	120		
100023040.....	164	100025691.....	141		
100023041.....	164	100025692.....	141		
100023042.....	164	100025720.....	57		

Sorting by old Part No.

New Part No.

Old Part No.

Part No.	Page	Part No.	Page	Part No.	Page	Part No.	Page	Part No.	Page
B		100021331		100021632		100021888		100021937	
		H01011A0043.....	96	H02025A4004.....	58	H02030A9034.....	48	H02030E0555.....	53
		100021339		100021643		100021890		100021938	
100000567		H01011A0051.....	140	H02025A4017.....	60	H02030A9451.....	48	H02030E0590.....	51
B00012A0018.....	180	100021350		100021644		100021891		100021939	
100000880		H01012A0044.....	96	H02025A4018.....	60	H02030A9452.....	48	H02030E0591.....	53
B00042A0101.....	176	100021352		100021645		100021892		100021942	
100000881		H01012A0048.....	96	H02025A4019.....	60	H02030A9590.....	48	H02030E0594.....	51
B00042A0103.....	176	100021353		100021646		100021898		100021943	
100000883		H01012A0050.....	93	H02025A4020.....	58	H02030B9000.....	49	H02030E0595.....	53
B00042A0105.....	176	100021366		100021647		100021899		100021946	
100000886		H02000A0064.....	137	H02025A4021.....	58	H02030B9001.....	49	H02030F0000.....	51
B00042A0159.....	176	100021369		100021680		100021900		100021947	
100000887		H02000A0069.....	138	H02030A0000.....	50	H02030B9008.....	49	H02030F0001.....	51
B00042A0160.....	176	100021370		100021681		100021901		100021948	
100001052		H02000A0070.....	138	H02030A0001.....	50	H02030B9009.....	49	H02030F0002.....	53
B00052A0034.....	166	100021371		100021682		100021902		100021949	
100001315		H02000A0071.....	139	H02030A0002.....	52	H02030B9034.....	49	H02030F0003.....	53
B01012A0033.....	96	100021372		100021683		100021903		100021953	
100001316		H02000A0072.....	139	H02030A0003.....	52	H02030B9451.....	49	H02030F0008.....	51
B01012A0034.....	96	100021379		100021684		100021904		100021954	
100001317		H02000A0086.....	141	H02030A0008.....	50	H02030B9452.....	49	H02030F0009.....	51
B01012A0035.....	96	100021381		100021685		100021905		100021955	
100001318		H02000A0090.....	136	H02030A0009.....	50	H02030B9590.....	49	H02030F0010.....	53
B01012A0036.....	96	100021382		100021686		100021908		100021956	
100001319		H02000A0092.....	137	H02030A0010.....	52	H02030D9000.....	49	H02030F0011.....	53
B01012A0037.....	96	100021383		100021687		100021909		100021957	
100001320		H02000A0094.....	138	H02030A0011.....	52	H02030D9001.....	49	100021958	
B01012A0038.....	96	100021385		100021693		100021910		H02030F0034.....	51
100001321		H02000A0096.....	137	H02030A0034.....	50	H02030D9008.....	49	100021958	
B01012A0039.....	96	100021396		100021694		100021911		H02030F0036.....	53
100001322		H02000A0109.....	136	100021699		H02030D9009.....	49	100021960	
B01012A0040.....	96	100021397		100021721		100021912		H02030F0492.....	51
100001323		H02000B0065.....	139	H02030A0491.....	50	H02030D9034.....	49	100021961	
B01012A0041.....	96	100021415		100021722		100021913		H02030F0506.....	53
100001324		H02010A0079.....	140	100021723		H02030D9451.....	49	100021962	
B01012A0042.....	96	100021416		100021728		100021914		H02030F0507.....	53
F		H02010A0081.....	140	H02030A0506.....	52	H02030D9452.....	49	100021965	
		100021419		100021724		100021915		H02030F0590.....	51
100020622		H02010A0086.....	131	H02030A0507.....	52	H02030D9590.....	49	100021966	
F00020A0113.....	134	100021426		100021728		100021916		H02030F0591.....	53
100020623		H02010B0085.....	134	H02030A0554.....	50	H02030E0000.....	51	100021977	
F00020A0123.....	134	100021444		100021729		100021917		H02030G9000.....	49
100020632		H02023A0008.....	67	100021759		100021918		100021978	
F00020A2130.....	166	100021492		H02030A0555.....	52	H02030E0001.....	51	H02030G9001.....	49
100020633		H02025A0167.....	33	100021760		100021918		100021980	
F00020A2131.....	166	100021494		H02030A0590.....	50	H02030E0002.....	53	H02030H0008.....	51
100020634		H02025A0171.....	34	100021763		100021919		100021981	
F00020A2132.....	166	100021496		H02030A0591.....	52	H02030E0003.....	53	H02030H0009.....	51
100020635		H02025A0197.....	33	100021762		100021924		100021982	
F00020A2133.....	166	100021497		H02030A0594.....	50	H02030E0008.....	51	H02030H0010.....	53
100020636		H02025A0220.....	33	100021763		100021925		100021983	
F00020A2134.....	166	100021498		H02030A0595.....	52	H02030E0009.....	51	H02030H0011.....	53
100020639		H02025A0221.....	33	100021866		100021926		H02030H0011.....	53
F00020A3130.....	167	100021502		H02030A0827.....	65	H02030E0010.....	53	100021984	
100020640		H02025A0234.....	34	100021867		100021927		H02030H0034.....	51
F00020A3131.....	167	100021503		H02030A0828.....	66	100021927		100021985	
100020641		H02025A0236.....	33	100021875		H02030E0011.....	53	H02030H0036.....	53
F00020A3132.....	167	100021505		H02030A4051.....	57	100021928		100021986	
100020642		H02025A0238.....	34	100021876		H02030E0034.....	51	H02030H0491.....	51
F00020A3133.....	167	100021507		H02030A4052.....	57	100021929		100021987	
100021116		H02025A0241.....	34	100021877		H02030E0036.....	53	H02030H0492.....	51
F08000A0002.....	94	100021508		H02030A4053.....	57	100021930		100021990	
100021119		H02025A0243.....	91	100021883		H02030E0491.....	51	H02030H0590.....	51
F08000A0008.....	94	100021629		100021883		100021931		100021994	
H		H02025A4001.....	58	100021885		H02030E0492.....	51	H02030H9008.....	49
		100021630		H02030A9001.....	48	100021932		100021995	
100021314		H02025A4002.....	58	100021886		100021933		H02030H9009.....	49
H01000A0288.....	94	100021631		H02030A9008.....	48	H02030E0507.....	53	100021996	
100021328		H02025A4003.....	58	100021887		100021936		H02030H9034.....	49
H01011A0037.....	93			H02030A9009.....	48	H02030E0554.....	51	100021997	
								H02030H9451.....	49

21 INDEX OF PART NUMBERS

Part No.	Page	Part No.	Page	Part No.	Page	Part No.	Page	Part No.	Page
100021998		100022057		100022125		100022249		100022387	
H02030H9452.....	49	H02030M0492.....	50	H02030T0036.....	52	H02050A0205.....	92	H02050A4093.....	59
100021999		100022058		100022126		100022258		100022388	
H02030H9590.....	49	H02030M0506.....	52	H02030T0491.....	50	H02050A0229.....	95	H02050A4094.....	59
100022000		100022059		100022127		100022259		100022389	
H02030J0491.....	50	H02030M0507.....	52	H02030T0492.....	50	H02050A0231.....	95	H02050A4095.....	59
100022001		100022061		100022128		100022272		100022392	
H02030J0492.....	50	H02030M0590.....	50	H02030T0506.....	52	H02050A0248.....	92	H02050F4021.....	63
100022002		100022062		100022129		100022281		100022393	
H02030J0590.....	50	H02030M0591.....	52	H02030T0507.....	52	H02050A0279.....	93	H02050F4031.....	63
100022003		100022068		100022130		100022282		100022394	
H02030J0824.....	52	H02030N0008.....	50	H02030T0590.....	50	H02050A0280.....	93	H02050F4041.....	63
100022004		100022069		100022131		100022283		100022396	
H02030J9451.....	48	H02030N0009.....	50	H02030T0591.....	52	H02050A0281.....	93	H02050F4061.....	63
100022005		100022070		100022135		100022291		100022397	
H02030J9452.....	48	H02030N0010.....	52	H02030T9008.....	48	H02050A0295.....	89	H02050F4071.....	63
100022006		100022071		100022136		100022312		100022398	
H02030J9590.....	48	H02030N0011.....	52	H02030T9009.....	48	H02050A0327.....	158	H02050F4121.....	64
100022007		100022075		100022137		100022318		100022399	
H02030K0000.....	51	H02030N0034.....	50	H02030T9034.....	48	H02050A0334.....	67	H02050F4131.....	64
100022008		100022076		100022138		100022331		100022402	
H02030K0001.....	51	H02030N0036.....	52	H02030T9451.....	48	H02050A0352.....	92	H02050F4141.....	64
100022009		100022077		100022139		100022332		100022405	
H02030K0002.....	53	H02030N0491.....	50	H02030T9452.....	48	H02050A0353.....	92	H02050F4161.....	64
100022015		100022078		100022140		100022333		100022406	
H02030K0008.....	51	H02030N0492.....	50	H02030T9590.....	48	H02050A0354.....	92	H02050F4171.....	64
100022016		100022081		100022154		100033451		100022408	
H02030K0009.....	51	H02030N0590.....	50	H02031A0104.....	66	H02050A0361.....	91	H02050F4221.....	64
100022017		100022087		100022158		100033713		100022409	
H02030K0010.....	53	H02030N9008.....	48	H02032A0021.....	62	H02050A0364.....	91	H02050F4231.....	64
100022018		100022088		100022160		100022364		100022410	
H02030K0011.....	53	H02030N9009.....	48	H02032A0028.....	66	H02050A4070.....	60	H02050F4241.....	64
100022019		100022089		100022161		100022365		100022411	
H02030K0034.....	51	H02030N9034.....	48	H02032A0030.....	62	H02050A4071.....	60	H02050F4252.....	63
100022020		100022090		100025720		100022366		100022416	
H02030K0036.....	53	H02030N9451.....	48	H02032A4028.....	57	H02050A4072.....	60	H02050F4271.....	64
100022021		100022091		100022168		100022367		100022455	
H02030K0491.....	51	H02030N9452.....	48	H02033A0005.....	66	H02050A4073.....	60	H02051C0510.....	157
100022023		100022092		100022176		100022368		100022456	
H02030K0506.....	53	H02030N9590.....	48	H02050A0004.....	88	H02050A4074.....	60	H02051C0514.....	157
100022024		100022094		100022177		100022369		100022457	
H02030K0507.....	53	H02030P0491.....	51	H02050A0006.....	88	H02050A4075.....	60	H02051C0515.....	157
100022027		100022095		100022178		100022370		100022459	
H02030K0590.....	51	H02030P0492.....	51	H02050A0008.....	90	H02050A4076.....	60	100022459	
100022028		100022096		100022179		100022371		H02051C0534.....	156
H02030K0591.....	53	H02030P0506.....	53	H02050A0010.....	89	H02050A4077.....	60	100022602	
100022032		100022097		100022181		100022372		H02053B0165.....	62
H02030K9000.....	49	H02030P0507.....	53	H02050A0013.....	90	H02050A4078.....	60	100022603	
100022033		100022098		100022188		100022373		100022606	
H02030K9001.....	49	H02030P0590.....	51	H02050A0075.....	95	H02050A4079.....	60	H02053D0165.....	63
100022034		100022099		100022194		100022374		100022607	
H02030K9008.....	49	H02030P0591.....	53	H02050A0087.....	95	H02050A4080.....	59	H02053D0166.....	62
100022035		100022106		100022236		100022375		100022610	
H02030K9009.....	49	H02030S9000.....	48	H02050A0190.....	92	H02050A4081.....	61	H02053H0165.....	63
100022036		100022107		100022237		100022376		100022611	
H02030K9034.....	49	H02030S9001.....	48	H02050A0191.....	92	H02050A4082.....	61	H02053H0166.....	63
100022037		100022108		100022238		100022377		100022614	
H02030K9451.....	49	H02030S9008.....	48	H02050A0192.....	92	H02050A4083.....	61	H02053K0165.....	62
100022038		100022109		100022239		100022378		100022615	
H02030K9452.....	49	H02030S9009.....	48	H02050A0193.....	92	H02050A4084.....	61	H02053K0166.....	63
100022039		100022110		100022240		100022379		100022618	
H02030K9590.....	49	H02030S9034.....	48	H02050A0194.....	92	H02050A4085.....	61	H02082A0001.....	156
100022047		100022111		100022241		100022380		100022619	
H02030M0008.....	50	H02030S9451.....	48	H02050A0195.....	92	H02050A4086.....	59	H02082A0002.....	156
100022048		100022112		100022242		100022381		100022620	
H02030M0009.....	50	H02030S9452.....	48	H02050A0196.....	92	H02050A4087.....	59	H02082A0003.....	156
100022049		100022117		100022243		100022382		100022621	
H02030M0010.....	52	H02030T0008.....	50	H02050A0197.....	92	H02050A4088.....	59	H02082A0004.....	156
100022050		100022118		100022244		100022383		100022625	
H02030M0011.....	52	H02030T0009.....	50	H02050A0198.....	92	H02050A4089.....	59	H02082A0014.....	158
100022054		100022119		100022245		100022384		100022626	
H02030M0034.....	50	H02030T0010.....	52	H02050A0199.....	92	H02050A4090.....	59	H02082A0015.....	158
100022055		100022120		100022246		100022385		100022627	
H02030M0036.....	52	H02030T0011.....	52	H02050A0200.....	92	H02050A4091.....	59	H02082A0016.....	158
100022056		100022124		100022247		100022386		100022628	
H02030M0491.....	50	H02030T0034.....	50	H02050A0201.....	92	H02050A4092.....	59	H02082A0017.....	158

Part No.	Page
100022650	
H06000A0056.....	142
100022666	
H06000A0086.....	58
100022667	
H06000A0087.....	58
100022668	
H06000B0045.....	142
J	
100022939	
J00020A0388.....	148
100022940	
J00020A0389.....	149
100022942	
J00020A0393.....	149
100022944	
J00020A0395.....	149
100022945	
J00020A0419.....	147
100022946	
J00020A0420.....	147
100000007	
J00020A0500.....	148
100022956	
J00020A0502.....	148
100022957	
J00020A0503.....	150
100022959	
J00020A0505.....	146
100022960	
J00020A0506.....	146
100022961	
J00020A0507.....	150
100022964	
J00020A0510.....	135
100022965	
J00020A0511.....	135
100022966	
J00020A0512.....	131
100022967	
J00020A0513.....	131
100022968	
J00020A0514.....	135
100022969	
J00020A0515.....	135
100022974	
J00020A0520.....	132
100022975	
J00020A0521.....	132
100022976	
J00020A0522.....	132
100022977	
J00020A0523.....	132
100022978	
J00020A0524.....	135
100022979	
J00020A0525.....	135
100022980	
J00020A0526.....	135
100022981	
J00020A0527.....	135
100022982	
J00020A0528.....	133
100022983	
J00020A0529.....	133
100022984	
J00020A0530.....	133
100022985	
J00020A0531.....	133
100022997	
J00023A0056.....	151
100023002	
J00023A0204.....	147
100023003	
J00023A0205.....	141

Part No.	Page
100023004	
J00023A0206.....	141
100025691	
J00023A0214.....	141
100025692	
J00023A0215.....	141
100023019	
J00026A0165.....	168
100023025	
J00026A0182.....	168
100023026	
J00026A0183.....	169
100023037	
J00026A2000.....	164
100023038	
J00026A2001.....	164
100023039	
J00026A2002.....	164
100023040	
J00026A2003.....	164
100023041	
J00026A2004.....	164
100023042	
J00026A2110.....	164
100023043	
J00026A2111.....	164
100023044	
J00026A2112.....	164
100023045	
J00026A2113.....	164
100023046	
J00026A2114.....	164
100023051	
J00026A3000.....	167
100023052	
J00026A3001.....	167
100023053	
J00026A3002.....	167
100023054	
J00026A3003.....	167
100023055	
J00026A3110.....	167
100023056	
J00026A3111.....	167
100023057	
J00026A3112.....	167
100023058	
J00026A3113.....	167
100023061	
J00026A4000.....	165
100023062	
J00026A4001.....	165
100023063	
J00026A4002.....	165
100023064	
J00026A4003.....	165
100023065	
J00026A4004.....	165
100023066	
J00026A4110.....	165
100023067	
J00026A4111.....	165
100023068	
J00026A4112.....	165
100023069	
J00026A4113.....	165
100023070	
J00026A4114.....	165
100023084	
J00026A5000.....	165
100023085	
J00026A5001.....	165
100023086	
J00026A5002.....	166
100023087	
J00026A5003.....	165

Part No.	Page
100023088	
J00026A5004.....	166
100023089	
J00026A5005.....	163
100023090	
J00026A5007.....	163
100023091	
J00026A5110.....	166
100023092	
J00026A5111.....	166
100023093	
J00026A5112.....	166
100023094	
J00026A5113.....	166
100023095	
J00026A5114.....	166
100023165	
J00029A0061.....	31
100023166	
J00029A0062.....	31
100023168	
J00029A0064.....	32
100023173	
J00029A0077.....	30
100023189	
J00029A0116.....	217
100023195	
J00029A0122.....	31
100023196	
J00029A2000.....	29
100023197	
J00029A2001.....	29
100023198	
J00029A2110.....	29
100023199	
J00029A2111.....	29
100023205	
J00029A4000.....	29
100023206	
J00029A4001.....	29
100023207	
J00029A6000.....	28
100023208	
J00029A6001.....	28
100023209	
J00029A6110.....	28
100023210	
J00029A6111.....	28
100034491	
J00029A6200.....	32
100034493	
J00029A6201.....	32
100023211	
J00029A8000.....	30
100023213	
J00029B0061.....	31
100023214	
J00029B0064.....	32
100023215	
J00029B0077.....	30
100023225	
J00029K0036.....	30
100023227	
J00029K0051.....	31
100023228	
J00029K0052.....	31
100023229	
J00029K0054.....	32
100023231	
J00029L0036.....	30
100023233	
J00029L0051.....	31
100023234	
J00029L0054.....	32
100023273	
J00060A0069.....	120

Part No.	Page
100023275	
J00060A0071.....	121
100023276	
J00060A0072.....	121
100023277	
J00060B0069.....	120
100006984	
J02021A0030.....	81
100006985	
J02021A0037.....	37
100006986	
J02021A0038.....	37
100006987	
J02021A0050.....	80
100006988	
J02021A0051.....	80
100006990	
J02021A0053.....	80
100006991	
J02021A0054.....	81
100006992	
J02021A0055.....	82
100006996	
J02022A0050.....	42
100006997	
J02022A0052.....	80
100006998	
J02022A0053.....	80
100006999	
J02022A0054.....	80
100007000	
J02022A0055.....	82
100007001	
J02022A0056.....	82
100007002	
J02022A0057.....	43
100007003	
J02022A0059.....	43
100007004	
J02022A0067.....	81
100007007	
J02023A0026.....	35
100007008	
J02023A0030.....	35
100007009	
J02023A0033.....	36
100007010	
J02023A0034.....	36
100007011	
J02023A0035.....	36
100007012	
J02023A0039.....	36
100007013	
J02023A0040.....	36
100007016	
J02023A0050.....	42
100007017	
J02023A0051.....	42
100007018	
J02023A0052.....	42
100007019	
J02023A0053.....	83
100007021	
J02023A0055.....	36
100007022	
J02023A0056.....	36
100007023	
J02023B0017.....	43
100007024	
J02023B0018.....	43
100007028	
J02023K0025.....	35
100007029	
J02023K0027.....	36
100007033	
J02023S0018.....	43

Part No.	Page
100007034	
J02023S0050.....	42
100007035	
J02023S0051.....	42
100007036	
J02024A0007.....	37
100007040	
J02024C0007.....	37
100007053	
J08010A0005.....	174
100007054	
J08010A0007.....	174
100007055	
J08010A0008.....	174
100007057	
J08010A0016.....	174
100007061	
J08010A0035.....	174
100007062	
J08010A0036.....	174
100007068	
J08010A0056.....	174
100007074	
J08011A0002.....	175
100007075	
J08011A0003.....	175
100007078	
J08011A0014.....	175
100007080	
J08011A0017.....	175
100007095	
J08070A0000.....	180
100007096	
J08070A0002.....	181
100007097	
J08070A0005.....	181
100007099	
J08070A0007.....	181
100007100	
J08070A0009.....	181
100007101	
J08070A0010.....	181
100007104	
J08070A0033.....	181
100007105	
J08070A0034.....	181
100007106	
J08070A0035.....	181
100007112	
J08070A0055.....	182
100007113	
J08070A0056.....	182
100007114	
J08070A0057.....	182
100007115	
J08070A0058.....	182
100007119	
J08070A0069.....	181
100007121	
J08070A0071.....	181
100007122	
J08070A0072.....	181
100007123	
J08070A0073.....	182
100007125	
J08070F0000.....	181
100007126	
J08070F0001.....	181
100007127	
J08070F0002.....	181
100007128	
J08070F0003.....	181
100007129	
J08070F0004.....	181
100007130	
J08070F0005.....	181

21 INDEX OF PART NUMBERS

Part No.	Page	Part No.	Page	Part No.	Page	Part No.	Page	Part No.	Page
100007131		100007195		100007352		100008022		100008162	
J08070F0006.....	181	J08080A0046.....	177	J08093A5210.....	185	L00000A0203.....	197	L00000D0004.....	203
100007132		100007196		100007377		100008023		100008165	
J08070F0007.....	181	J08080A0047.....	177	J50010A0001.....	74	L00000A0204.....	197	L00000D0017.....	203
100007133		100007197		100007378		100008027		100008166	
J08070F0008.....	181	J08080A0048.....	177	J50014A0000.....	74	L00000A0226.....	196	L00000D0022.....	203
100007134		100007219		100007547		100008028		100008167	
J08070F2000.....	182	J08080F0000.....	178	J80060A0000.....	120	L00000A0230.....	196	L00000D0023.....	203
100007135		100007220		100007584		100008029		100008168	
J08070F2001.....	182	J08080F0001.....	178	J88080A0000.....	177	L00000A0231.....	196	L00000D0024.....	203
100007136		100007221		100007591		100008030		100008170	
J08070F2002.....	182	J08080F0002.....	178	J88080A0008.....	177	L00000A0232.....	196	L00000D0026.....	203
100007137		100007222		100007598		100008031		100008171	
J08070F2003.....	182	J08080F0003.....	178	J88080A0024.....	177	L00000A0233.....	196	L00000D0031.....	203
100007138		100007223				100008032		100008172	
J08070F2004.....	182	J08080F0004.....	178			L00000A0234.....	196	L00000D0032.....	203
100007139		100007224				100008033		100008173	
J08070F2005.....	182	J08080F0005.....	178	100007964		L00000A0235.....	196	L00000D0033.....	203
100007140		100007225		L00000A0072.....	196	100008034		100008175	
J08070F2006.....	182	J08080F0006.....	178	100007965		L00000A0236.....	196	L00000D0035.....	203
100007141		100007226		L00000A0073.....	196	100008035		100008176	
J08070F2007.....	182	J08080F0007.....	178	L00000A0074.....	196	L00000A0237.....	196	L00000D0089.....	203
100007142		100007227		100007966		100008036		100008177	
J08070F2008.....	182	J08080F0008.....	178	100007967		L00000A0238.....	196	L00000D0090.....	203
100007143		100007228		100007968		100008040		100008179	
J08071A0000.....	183	J08080F2000.....	178	L00000A0075.....	196	L00000A0253.....	198	L00000E0000.....	202
100007145		100007229		100007969		100008041		100008180	
J08071A0002.....	183	J08080F2001.....	178	L00000A0076.....	196	L00000A0254.....	198	L00000E0001.....	202
100007146		100007230		100007973		100008044		100008184	
J08071A0004.....	183	J08080F2002.....	178	L00000A0077.....	196	L00000A0273.....	201	L00000E0010.....	202
100007147		100007231		100007973		100008048		100008185	
J08071A0005.....	183	J08080F2003.....	178	100007974		L00000A0287.....	201	L00000E0011.....	202
100007150		100007232		100007974		100008049		100008199	
J08071A0010.....	183	J08080F2004.....	178	L00000A0082.....	196	L00000A0288.....	201	L00000E0064.....	202
100007151		100007233		100007975		100008050		100008200	
J08071A0017.....	183	J08080F2005.....	178	L00000A0083.....	196	L00000A0289.....	201	L00000E0065.....	202
100007152		100007234		100007976		100008051		100008201	
J08071A0018.....	184	J08080F2006.....	178	L00000A0084.....	196	L00000A0290.....	201	L00000E0066.....	202
100007153		100007235		100007977		100008052		100008203	
J08071A0019.....	184	J08080F2007.....	178	L00000A0085.....	196	L00000A0291.....	201	L00000E0069.....	202
100007154		100007236		100007978		100008053		100008204	
J08071A0020.....	184	J08080F2008.....	178	L00000A0086.....	196	L00000A0292.....	201	L00000E0070.....	202
100007155		100007237		100007978		100008054		100008205	
J08071A0021.....	183	J08081A0000.....	179	L00000A0102.....	199	L00000A0293.....	201	L00000E0071.....	202
100007158		100007238		100007986		100008055		100008262	
J08071A0028.....	183	J08081A0002.....	179	L00000A0103.....	199	L00000A0294.....	201	L00001A0084.....	196
100007159		100007238		100007987		100008056		100008263	
J08071A0029.....	184	J08081A0004.....	179	L00000A0118.....	199	L00000A0295.....	201	L00001A0085.....	196
100007164		100007240		100007988		100008057		100008264	
J08071A0042.....	184	J08081A0006.....	179	L00000A0120.....	199	L00000A0296.....	201	L00001A0086.....	196
100007165		100007242		100007990		100008058		100008265	
J08071A0044.....	184	J08081A0008.....	179	L00000A0130.....	196	L00000A0297.....	201	L00001A0087.....	196
100007166		100007243		100007991		100008062		100008266	
J08071A0048.....	183	J08081A0010.....	179	L00000A0131.....	196	L00000A0303.....	201	L00001A0088.....	196
100007167		100007244		100008010		100008063		100008267	
J08071A0049.....	183	J08081A0011.....	179	L00000A0189.....	197	L00000A0304.....	201	L00001A0089.....	196
100007168		100007245		100008011		100008066		100008268	
J08071A0052.....	183	J08081A0014.....	179	L00000A0192.....	197	L00000A0307.....	203	L00001A0090.....	196
100007179		100007247		100008012		100008067		100008269	
J08071A0089.....	183	J08081A0016.....	179	L00000A0193.....	197	L00000A0308.....	203	L00001A0092.....	196
100007182		100007249		100008013		100008068		100008271	
J08080A0001.....	177	J08081A0032.....	179	L00000A0194.....	197	L00000A0309.....	203	L00001A0099.....	199
100007183		100007251		100008014		100008069		100008272	
J08080A0002.....	177	J08081A0034.....	179	L00000A0195.....	197	L00000A0310.....	203	L00001A0117.....	199
100007184		100007257		100008015		100008070		100008274	
J08080A0005.....	177	J08081A0040.....	179	L00000A0196.....	197	L00000A0311.....	203	L00001A0123.....	196
100007185		100033438		100008016		100008071		100008286	
J08080A0006.....	177	J08081A0043.....	179	L00000A0197.....	197	L00000A0312.....	203	L00001A0154.....	197
100007186		100007304		100008017		100008076		100008287	
J08080A0016.....	177	J08093A0205.....	185	L00000A0198.....	197	L00000A0340.....	200	L00001A0155.....	197
100007187		100007309		100008018		100008077		100008288	
J08080A0018.....	177	J08093A0210.....	185	L00000A0199.....	197	L00000A0341.....	200	L00001A0156.....	197
100007191		100007321		100008019		100008091		100008289	
J08080A0036.....	177	J08093A1205.....	185	L00000A0200.....	197	L00000A0376.....	198	L00001A0157.....	197
100007192		100007322		100008020		100008092		100008291	
J08080A0037.....	177	J08093A1210.....	185	L00000A0201.....	197	L00000A0377.....	198	L00001A0159.....	197
100007194		100007349		100008021					
J08080A0043.....	177	J08093A5205.....	185	L00000A0202.....	197				

Part No.	Page
100008293	
L00001A0162.....	197
100008294	
L00001A0163.....	197
100008295	
L00001A0164.....	197
100008297	
L00001A0167.....	196
100008301	
L00001A0194.....	196
100008305	
L00001A0199.....	198
100008317	
L00001A0228.....	201
100008318	
L00001A0230.....	201
100008319	
L00001A0232.....	201
100008320	
L00001A0234.....	201
100008321	
L00001A0236.....	201
100008322	
L00001A0238.....	201
100008327	
L00001A0243.....	201
100008328	
L00001A0244.....	203
100008329	
L00001A0245.....	203
100008333	
L00001A0264.....	200
100008343	
L00001A0288.....	198
100008344	
L00001A0289.....	198
100008376	
L00001D0003.....	203
100008378	
L00001D0032.....	203
100008379	
L00001D0033.....	203
100008380	
L00001D0034.....	203
100008382	
L00001D0036.....	203
100008391	
L00001D0095.....	203
100008392	
L00001E0000.....	202
100008394	
L00001E0005.....	202
100008396	
L00001E0007.....	202
100008409	
L00001E0068.....	202
100008410	
L00001E0069.....	202
100008411	
L00001E0070.....	202
100008462	
L00002A0112.....	196
100008463	
L00002A0113.....	196
100008464	
L00002A0114.....	196
100008465	
L00002A0115.....	196
100008466	
L00002A0116.....	196
100008467	
L00002A0117.....	196
100008469	
L00002A0119.....	196
100008470	
L00002A0120.....	199

Part No.	Page
100008473	
L00002A0139.....	199
100008474	
L00002A0141.....	196
100008487	
L00002A0173.....	197
100008488	
L00002A0174.....	197
100008489	
L00002A0175.....	197
100008490	
L00002A0176.....	197
100008491	
L00002A0177.....	197
100008492	
L00002A0179.....	197
100008493	
L00002A0180.....	197
100008496	
L00002A0185.....	196
100008499	
L00002A0195.....	196
100008502	
L00002A0203.....	198
100008507	
L00002A0213.....	196
100008508	
L00002A0219.....	201
100008515	
L00002A0231.....	201
100008516	
L00002A0233.....	201
100008517	
L00002A0235.....	201
100008518	
L00002A0237.....	201
100008519	
L00002A0239.....	201
100008522	
L00002A0243.....	201
100008523	
L00002A0244.....	203
100008524	
L00002A0245.....	203
100008528	
L00002A0259.....	200
100008537	
L00002A0282.....	198
100008538	
L00002A0283.....	198
100008566	
L00002D0002.....	203
100008568	
L00002D0076.....	203
100008569	
L00002D0077.....	203
100008570	
L00002D0078.....	203
100008572	
L00002D0080.....	203
100008581	
L00002D0123.....	203
100008582	
L00002E0000.....	202
100008583	
L00002E0004.....	202
100008598	
L00002E0102.....	202
100008599	
L00002E0103.....	202
100008600	
L00002E0104.....	202
100008642	
L00003A0049.....	199
100008643	
L00003A0055.....	196

Part No.	Page
100008644	
L00003A0056.....	196
100008645	
L00003A0057.....	196
100008646	
L00003A0058.....	196
100008647	
L00003A0059.....	196
100008648	
L00003A0060.....	196
100008650	
L00003A0062.....	196
100008652	
L00003A0067.....	199
100008655	
L00003A0078.....	199
100008657	
L00003A0084.....	196
100008658	
L00003A0085.....	196
100008665	
L00003A0102.....	196
100008669	
L00003A0119.....	197
100008671	
L00003A0121.....	197
100008673	
L00003A0123.....	197
100008674	
L00003A0124.....	197
100008675	
L00003A0125.....	197
100008676	
L00003A0126.....	197
100008677	
L00003A0127.....	197
100008681	
L00003A0133.....	196
100008685	
L00003A0147.....	196
100008686	
L00003A0148.....	196
100008691	
L00003A0157.....	198
100008704	
L00003A0184.....	196
100008705	
L00003A0185.....	196
100008706	
L00003A0186.....	196
100008717	
L00003A0204.....	201
100008718	
L00003A0205.....	201
100008719	
L00003A0206.....	201
100008720	
L00003A0207.....	201
100008721	
L00003A0208.....	201
100008722	
L00003A0209.....	201
100008729	
L00003A0216.....	201
100008730	
L00003A0217.....	203
100008731	
L00003A0218.....	203
100008733	
L00003A0230.....	200
100008740	
L00003A0250.....	198
10028071	
L00003A0303.....	196
100008774	
L00003D0004.....	203

Part No.	Page
100008775	
L00003D0026.....	203
100008776	
L00003D0027.....	203
100008777	
L00003D0028.....	203
100008779	
L00003D0030.....	203
100008780	
L00003D0062.....	203
100008781	
L00003E0000.....	202
100008783	
L00003E0003.....	202
100008792	
L00003E0049.....	202
100008793	
L00003E0050.....	202
100008794	
L00003E0051.....	202
100008826	
L00004A0054.....	196
100008827	
L00004A0055.....	196
100008828	
L00004A0056.....	196
100008829	
L00004A0057.....	196
100008830	
L00004A0058.....	196
100008831	
L00004A0060.....	196
100008832	
L00004A0064.....	199
100008833	
L00004A0071.....	196
100008841	
L00004A0093.....	196
100008842	
L00004A0094.....	196
100008844	
L00004A0104.....	196
100008848	
L00004A0109.....	197
100008850	
L00004A0111.....	197
100008851	
L00004A0112.....	197
100008852	
L00004A0113.....	197
100008853	
L00004A0114.....	197
100008854	
L00004A0115.....	197
100008855	
L00004A0116.....	197
100008857	
L00004A0119.....	196
100008861	
L00004A0130.....	196
100008863	
L00004A0132.....	196
100008865	
L00004A0134.....	196
100008875	
L00004A0145.....	198
100008887	
L00004A0165.....	196
100008894	
L00004A0176.....	196
100008895	
L00004A0177.....	196
100008896	
L00004A0178.....	201
100008897	
L00004A0179.....	201

Part No.	Page
100008898	
L00004A0181.....	201
100008899	
L00004A0182.....	201
100008900	
L00004A0183.....	201
100008901	
L00004A0185.....	201
100008902	
L00004A0186.....	201
100008903	
L00004A0189.....	203
100008904	
L00004A0191.....	203
100008907	
L00004A0206.....	200
100008912	
L00004A0225.....	198
100008923	
L00004A0258.....	196
10028072	
L00004A0269.....	196
10028073	
L00004A0270.....	196
10028074	
L00004A0271.....	196
10028075	
L00004A0272.....	196
10028076	
L00004A0273.....	196
100008940	
L00004D0004.....	203
100008941	
L00004D0037.....	203
100008942	
L00004D0038.....	203
100008943	
L00004D0039.....	203
100008945	
L00004D0041.....	203
100008948	
L00004D0062.....	203
100008949	
L00004E0000.....	202
100008951	
L00004E0003.....	202
100008959	
L00004E0052.....	202
100008961	
L00004E0054.....	202
100008981	
L00005A0027.....	196
100008982	
L00005A0028.....	196
100008983	
L00005A0029.....	196
100008984	
L00005A0030.....	196
100008985	
L00005A0031.....	196
100008986	
L00005A0032.....	196
100008987	
L00005A0035.....	199
100008990	
L00005A0051.....	196
100008997	
L00005A0067.....	196
100008998	
L00005A0068.....	196
100009002	
L00005A0080.....	197
100009003	
L00005A0081.....	197
100009004	
L00005A0082.....	197

21 INDEX OF PART NUMBERS

Part No.	Page	Part No.	Page	Part No.	Page	Part No.	Page	Part No.	Page
100009005		100009116		100009282		100010695		100010920	
L00005A0083.....	197	L00006A0035.....	197	L00006A0335.....	201	L00040A0009.....	83	L00830A0026.....	214
100009006		100009117		100009283		100010722		100010922	
L00005A0084.....	197	L00006A0036.....	197	L00006A0336.....	201	L00810A0003.....	212	L00830A0028.....	214
100009007		100009118		100009284		100010723		100010924	
L00005A0085.....	197	L00006A0037.....	197	L00006A0337.....	201	L00810A0004.....	212	L00830A0030.....	214
100009008		100009119		100009285		100010724		100010926	
L00005A0086.....	197	L00006A0038.....	197	L00006A0338.....	201	L00810A0005.....	212	L00830A0032.....	214
100009010		100009120		100009289		100010726		100010950	
L00005A0091.....	196	L00006A0039.....	197	L00006A0343.....	201	L00810A0010.....	212	L00831A0005.....	213
100009014		100009121		100009294		100010730		100010951	
L00005A0103.....	196	L00006A0040.....	197	L00006A0358.....	200	L00810A0014.....	212	L00831A0006.....	213
100009015		100009122		100009295		100010741		100010952	
L00005A0104.....	199	L00006A0041.....	197	L00006A0359.....	200	L00811A0007.....	212	L00831A0007.....	213
100009020		100009123		100009296		100010743		100010961	
L00005A0113.....	198	L00006A0042.....	197	L00006A0360.....	200	L00811A0009.....	212	L00831A0026.....	214
100009030		100009124		100009303		100010744		100010963	
L00005A0128.....	196	L00006A0043.....	197	L00006A0367.....	197	L00811A0012.....	212	L00831A0028.....	214
100009031		100009125		100009304		100010746		100010965	
L00005A0129.....	201	L00006A0044.....	197	L00006A0368.....	197	L00811A0022.....	209	L00831A0030.....	214
100009032		100009126		100009305		100010750		100010967	
L00005A0130.....	201	L00006A0045.....	197	L00006A0369.....	197	L00811A0028.....	212	L00831A0032.....	214
100009033		100009127		100009336		100010752		100010992	
L00005A0131.....	201	L00006A0046.....	197	L00006A0457.....	197	L00811A0034.....	212	L00832A0005.....	213
100009034		100009128		100028082		100010763		100010993	
L00005A0132.....	201	L00006A0047.....	197	L00006A0494.....	196	L00812A0009.....	212	L00832A0006.....	213
100009035		100009129		100028083		100010764		100010994	
L00005A0133.....	201	L00006A0048.....	197	L00006A0495.....	197	L00812A0011.....	212	L00832A0007.....	213
100009036		100009130		100028084		100010766		100011003	
L00005A0134.....	201	L00006A0049.....	197	L00006A0496.....	197	L00812A0018.....	212	L00832A0026.....	214
100009039		100009131		100009348		100010769		100011005	
L00005A0137.....	201	L00006A0050.....	197	L00006D0078.....	203	L00812A0021.....	212	L00832A0028.....	214
100009040		100009132		100009349		100010777		100011007	
L00005A0138.....	203	L00006A0051.....	197	L00006D0079.....	203	L00813A0003.....	212	L00832A0030.....	214
100009041		100009133		100009350		100010778		100011009	
L00005A0139.....	203	L00006A0052.....	197	L00006D0080.....	203	L00813A0004.....	212	L00832A0032.....	214
100009045		100009134		100009351		100010779		100011035	
L00005A0153.....	200	L00006A0053.....	197	L00006D0081.....	203	L00813A0005.....	212	L00833A0005.....	213
100009057		100009135		100009356		100010780		100011036	
L00005A0176.....	198	L00006A0054.....	197	L00006D0086.....	203	L00813A0008.....	212	L00833A0006.....	213
100028077		100009136		100009357		100010786		100011037	
L00005A0205.....	196	L00006A0055.....	197	L00006D0087.....	203	L00813A0014.....	212	L00833A0007.....	213
100028078		100009137		100009358		100010803		100011046	
L00005A0206.....	196	L00006A0056.....	197	L00006D0088.....	203	L00815A0006.....	212	L00833A0026.....	214
100028079		100009145		100009359		100010805		100011048	
L00005A0207.....	196	L00006A0119.....	197	L00006D0089.....	203	L00815A0008.....	212	L00833A0028.....	214
100028080		100009169		100009360		100010816		100011050	
L00005A0208.....	196	L00006A0187.....	197	L00006D0090.....	203	L00816A0003.....	212	L00833A0030.....	214
100028081		100009268		100009361		100010817		100011052	
L00005A0209.....	196	L00006A0321.....	201	L00006D0091.....	203	L00816A0004.....	212	L00833A0032.....	214
100009079		100009269		100009362		100010818		100011094	
L00005D0004.....	203	L00006A0322.....	201	L00006D0092.....	203	L00816A0005.....	212	L00835A0005.....	213
100009080		100009270		100009363		100010836		100011095	
L00005D0035.....	203	L00006A0323.....	201	L00006D0093.....	203	L00819A0007.....	190	L00835A0006.....	213
100009082		100009271		100009364		100010839		100011096	
L00005D0037.....	203	L00006A0324.....	201	L00006D0094.....	203	L00819A0013.....	190	L00835A0007.....	213
100009083		100009272		100009365		100010842		100011105	
L00005D0038.....	203	L00006A0325.....	201	L00006D0095.....	203	L00819A0019.....	190	L00835A0026.....	214
100009084		100009273		100009366		100010854		100011107	
L00005D0039.....	203	L00006A0326.....	201	L00006D0096.....	203	L00819A0045.....	190	L00835A0028.....	214
100009085		100009274		100009367		100010856		100011109	
L00005D0040.....	203	L00006A0327.....	201	L00006D0097.....	203	L00819A0060.....	192	L00835A0030.....	214
100009086		100009275		100009368		100010858		100011111	
L00005E0000.....	202	L00006A0328.....	201	L00006D0098.....	203	L00819A0064.....	192	L00835A0032.....	214
100009088		100009276		100009369		100010861		100011133	
L00005E0003.....	202	L00006A0329.....	201	L00006D0099.....	203	L00819A0068.....	190	L00836A0011.....	213
100009091		100009277		100009370		100010864		100011134	
L00005E0026.....	202	L00006A0330.....	201	L00006D0100.....	203	L00819A0071.....	192	L00836A0012.....	213
100009092		100009278		100009371		100010866		100011135	
L00005E0027.....	202	L00006A0331.....	201	L00006D0101.....	203	L00819A0073.....	192	L00836A0013.....	213
100009093		100009279		100009372		100010909		100011136	
L00005E0028.....	202	L00006A0332.....	201	L00006E0015.....	202	L00830A0005.....	213	L00836A0015.....	213
100009114		100009280		100009373		100010910		100011137	
L00006A0033.....	197	L00006A0333.....	201	L00006E0019.....	202	L00830A0006.....	213	L00836A0016.....	213
100009115		100009281		100009374		100010911		100011138	
L00006A0034.....	197	L00006A0334.....	201	L00006E0020.....	202	L00830A0007.....	213	L00836A0017.....	213

Part No.	Page	Part No.	Page	Part No.	Page	Part No.	Page	Part No.	Page
100011139		100011281		100011364		100011535		100011817	
L00836A0019.....	213	L00870A0001.....	210	L00872A0001.....	210	L00875A0052.....	210	L00881C0008.....	208
100011140		100011282		100011365		100011543		100011820	
L00836A0020.....	213	L00870A0002.....	210	L00872A0002.....	210	L00875U0000.....	210	L00881C0023.....	208
100011141		100011283		100011366		100011544		100011821	
L00836A0021.....	213	L00870A0003.....	210	L00872A0003.....	210	L00875U0001.....	210	L00881C0024.....	208
100011142		100011285		100011368		100011545		100011823	
L00836A0023.....	213	L00870A0005.....	210	L00872A0006.....	210	L00875U0002.....	210	L00882A0002.....	208
100011143		100011293		100011377		100011546		100011824	
L00836A0024.....	213	L00870A0024.....	210	L00872A0024.....	210	L00875U0003.....	210	L00882A0005.....	208
100011144		100011295		100011380		100011547		100011828	
L00836A0025.....	213	L00870A0026.....	210	L00872A0027.....	210	L00875U0004.....	210	L00882A0011.....	208
100011145		100011300		100011387		100011712		100011833	
L00836A0027.....	213	L00870A0040.....	210	L00872A0043.....	210	L00879A0000.....	191	L00882A0019.....	208
100011146		100011301		100011388		100011713		100011834	
L00836A0028.....	213	L00870A0041.....	210	L00872A0044.....	210	L00879A0001.....	191	L00882A0020.....	208
100011147		100011311		100011393		100011714		100011843	
L00836A0029.....	213	L00870U0000.....	210	L00872U0000.....	210	L00879A0002.....	191	L00882A0031.....	208
100011148		100011312		100011394		100011715		100011849	
L00836A0031.....	213	L00870U0001.....	210	L00872U0001.....	210	L00879A0004.....	191	L00882C0000.....	208
100011149		100011313		100011395		100011718		100011850	
L00836A0032.....	213	L00870U0002.....	210	L00872U0002.....	210	L00879A0008.....	192	L00882C0003.....	208
100011150		100011314		100011396		100011719		100011851	
L00836A0033.....	213	L00870U0003.....	210	L00872U0003.....	210	L00879A0009.....	192	L00882C0004.....	208
100011151		100011315		100011397		100011720		100011852	
L00836A0035.....	213	L00870U0004.....	210	L00872U0004.....	210	L00879A0010.....	192	L00882C0006.....	208
100011152		100011316		100011398		100011722		100011853	
L00836A0036.....	213	L00870U0005.....	210	L00872U0005.....	210	L00879A0013.....	191	L00882C0007.....	208
100011153		100011317		100011399		100011725		100011857	
L00836A0037.....	213	L00870U0006.....	210	L00872U0006.....	210	L00879A0017.....	192	L00882C0015.....	208
100011154		100011318		100011400		100011731		100011858	
L00836A0039.....	213	L00870U0007.....	210	L00872U0007.....	210	L00879A0025.....	191	L00883A0002.....	208
100011155		100011319		100011401		100011732		100011859	
L00836A0040.....	213	L00870U0008.....	210	L00872U0008.....	210	L00879A0026.....	192	L00883A0005.....	208
100011156		100011320		100011402		100011753		100011864	
L00836A0041.....	213	L00870U0009.....	210	L00872U0009.....	210	L00880A0003.....	208	L00883A0012.....	208
100011157		100011322		100011403		100011754		100011876	
L00836A0043.....	213	L00871A0003.....	210	L00873A0000.....	210	L00880A0006.....	208	L00883A0028.....	208
100011158		100011323		100011404		100011757		100011877	
L00836A0044.....	213	L00871A0004.....	210	L00873A0001.....	210	L00880A0017.....	208	L00883A0029.....	208
100011159		100011324		100011405		100011758		100011888	
L00836A0045.....	213	L00871A0005.....	210	L00873A0002.....	210	L00880A0018.....	208	L00883A0044.....	208
100011160		100011325		100011406		100011766		100011894	
L00836A0047.....	213	L00871A0006.....	210	L00873A0003.....	210	L00880A0028.....	208	L00883C0003.....	208
100011161		100011327		100011410		100011775		100011895	
L00836A0048.....	213	L00871A0008.....	210	L00873A0009.....	210	L00880C0004.....	208	L00883C0004.....	208
100011162		100011335		100011426		100011776		100011896	
L00836A0049.....	213	L00871A0026.....	210	L00873A0031.....	210	L00880C0005.....	208	L00883C0006.....	208
100011163		100011337		100011427		100011777		100011897	
L00836A0051.....	213	L00871A0028.....	210	L00873A0032.....	210	L00880C0007.....	208	L00883C0007.....	208
100011164		100011343		100011436		100011778		100011901	
L00836A0052.....	213	L00871A0042.....	210	L00873A0051.....	210	L00880C0008.....	208	L00883C0017.....	208
100011165		100011344		100011449		100011779		100011903	
L00836A0053.....	213	L00871A0043.....	210	L00873U0000.....	210	L00880C0010.....	208	L00883C0025.....	208
100011166		100011353		100011450		100011782		100011932	
L00836A0055.....	213	L00871U0000.....	210	L00873U0001.....	210	L00880C0015.....	208	L00885A0002.....	208
100011167		100011354		100011451		100011786		100011933	
L00836A0056.....	213	L00871U0001.....	210	L00873U0002.....	210	L00881A0003.....	208	L00885A0005.....	208
100011168		100011355		100011452		100011787		100011937	
L00836A0057.....	213	L00871U0002.....	210	L00873U0003.....	210	L00881A0006.....	208	L00885A0012.....	208
100011212		100011356		100011453		100011793		100011947	
L00850A0001.....	211	L00871U0003.....	210	L00873U0004.....	210	L00881A0020.....	208	L00885A0025.....	208
100011220		100011357		100011505		100011794		100011948	
L00851A0008.....	211	L00871U0004.....	210	L00875A0000.....	210	L00881A0021.....	208	L00885A0026.....	208
100011227		100011358		100011506		100011799		100011957	
L00852A0000.....	211	L00871U0005.....	210	L00875A0001.....	210	L00881A0027.....	208	L00885A0038.....	208
100011236		100011359		100011507		100011800		100011962	
L00853A0001.....	211	L00871U0006.....	210	L00875A0002.....	210	L00881A0028.....	208	L00885C0000.....	208
100011243		100011360		100011508		100011807		100011963	
L00855A0001.....	211	L00871U0007.....	210	L00875A0003.....	210	L00881A0038.....	208	L00885C0003.....	208
100011250		100011361		100011512		100011814		100011964	
L00859A0003.....	191	L00871U0008.....	210	100011527		L00881C0004.....	208	L00885C0004.....	208
100011259		100011362		100011529		100011815		100011965	
L00859A0013.....	192	L00871U0009.....	210	100011529		L00881C0005.....	208	L00885C0006.....	208
100011280		100011363		100011529		100011816		100011966	
L00870A0000.....	210	L00872A0000.....	210	L00875A0036.....	210	L00881C0007.....	208	L00885C0007.....	208

21 INDEX OF PART NUMBERS

Part No.	Page	Part No.	Page	Part No.	Page	Part No.	Page	Part No.	Page
100011971		100012235		100012564		100027790		100013400	
L00885C0020.....	208	L00891C0026.....	209	L00895A0035.....	209	L02002A0213B.....	101	L08021D0105.....	113
100012041		100012241		100012565		100027792		100013401	
L00889W0007.....	190	L00891C0042.....	211	L00895A0036.....	209	L02002A0214B.....	101	L08021D0201.....	114
100012042		100012249		100012566		100013177		100013402	
L00889W0016.....	190	L00891C0071.....	209	L00895A0039.....	209	L02002A0258.....	101	L08021D0202.....	114
100012043		100012250		100012567		100013178		100013403	
L00889W0017.....	190	L00891C0072.....	209	L00895A0040.....	211	L02002A0259.....	101	L08021D0203.....	114
100012044		100012256		100012585		100013180		100013404	
L00889W0027.....	192	L00892A0005.....	209	L00895A0070.....	209	L02002A0261.....	106	L08021D0204.....	113
100012047		100012265		100012586		100013181		100013405	
L00889W0033.....	192	L00892A0029.....	209	L00895A0071.....	209	L02002A0262.....	104	L08021D0205.....	114
100012048		100012268		100012588		100013182		100013406	
L00889W0039.....	190	L00892A0035.....	209	L00895A0073.....	211	L02002A0263.....	104	L08021D0301.....	114
100012050		100012269		100012615		100013194		100013407	
L00889W0051.....	190	L00892A0036.....	209	L00895A0117.....	211	L02002A0277.....	100	L08021D0302.....	114
100012052		100012270		100012628		100013195		100013408	
L00889W0056.....	192	L00892A0039.....	209	L00895C0001.....	209	L02002A0279.....	100	L08021D0303.....	114
100012064		100012271		100012629		100027903		100013409	
L00889W0070.....	192	L00892A0040.....	211	L00895C0003.....	209	L02002A0287.....	101	L08021D0304.....	113
100012065		100012280		100012632		100028018		100013410	
L00889W0071.....	190	L00892A0065.....	211	L00895C0021.....	211	L02002A0291.....	102	L08021D0305.....	114
100012072		100012287		100012633		100028019		100013411	
L00890A0018.....	209	L00892A0072.....	209	L00895C0025.....	209	L02002A0292.....	103	L08021D0401.....	115
100012079		100012288		100012636		100028020		100013412	
L00890A0036.....	209	L00892A0073.....	209	L00895C0037.....	211	L02002A0295.....	101	L08021D0402.....	115
100012080		100012290		100012637		100013200		100013413	
L00890A0037.....	209	L00892A0075.....	211	L00895C0038.....	211	L02002B0061.....	102	L08021D0403.....	115
100012081		100012327		100013065		100013202		100013414	
L00890A0040.....	209	L00892C0001.....	209	L02002A0040.....	106	L02002C0061.....	102	L08021D0404.....	115
100012082		100012329		100013066		100013203		100013415	
L00890A0041.....	211	L00892C0009.....	209	L02002A0041.....	106	L02002C0067.....	107	L08021D0405.....	115
100012090		100012331		100013067		100013204		100013416	
L00890A0058.....	209	L00892C0024.....	211	L02002A0042.....	105	L02002C0068.....	107	L08021D0601.....	115
100012101		100012333		100013068		100013205		100013417	
L00890A0077.....	209	L00892C0037.....	211	L02002A0043.....	105	L02002C0069.....	107	L08021D0602.....	115
100012102		100012334		100013070		100013206		100013418	
L00890A0078.....	209	L00892C0038.....	211	L02002A0051.....	106	L02002C0070.....	107	L08021D0603.....	115
100012104		100012337		100013071		100013207		100013419	
L00890A0080.....	211	L00892C0048.....	209	L02002A0053.....	106	L02002C0071.....	102	L08021D0604.....	115
100012123		100012347		100013072		100013208		100013420	
L00890A0111.....	211	L00893A0005.....	209	L02002A0054.....	106	L02002C0072.....	102	L08021D0605.....	115
100012130		100012354		100013073		100013209		100013421	
L00890C0019.....	209	L00893A0027.....	209	L02002A0055.....	106	L02002C0073.....	102	L08021D0701.....	115
100012131		100012357		100013074		100013210		100013422	
L00890C0021.....	209	L00893A0038.....	209	L02002A0056.....	106	L02002C0074.....	102	L08021D0702.....	115
100012136		100012358		100013077		100013211		100013423	
L00890C0038.....	211	L00893A0039.....	209	L02002A0061.....	102	L02002D0061.....	102	L08021D0703.....	115
100012137		100012359		100013078		100013212		100013424	
L00890C0039.....	211	L00893A0042.....	209	L02002A0062.....	104	L02002E0061.....	102	L08021D0704.....	115
100012141		100012360		100033540		100013213		100013425	
L00890C0055.....	211	L00893A0043.....	211	L02002A0143T.....	102	L02002F0061.....	102	L08021D0705.....	115
100012142		100012382		100033543		100013326		100013426	
L00890C0059.....	209	L00893A0076.....	209	L02002A0146T.....	102	L08020D0004.....	113	L08021D1106.....	114
100012156		100012383		100027773		100013327		100013427	
L00891A0014.....	209	L00893A0077.....	209	L02002A0175B.....	102	L08020D0005.....	113	L08021D1206.....	114
100012157		100012385		100013123		100013328		100013428	
L00891A0015.....	209	L00893A0079.....	211	L02002A0176.....	103	L08020D0504.....	115	L08021D1306.....	114
100012158		100012417		100027776		100013329		100013487	
L00891A0016.....	209	L00893A0113.....	211	L02002A0180B.....	102	L08020D0505.....	115	L08021T0121.....	112
100012159		100012443		100027778		100013331		100013488	
L00891A0017.....	211	L00893C0001.....	209	L02002A0181B.....	102	L08020D1006.....	114	L08021T0122.....	112
100012162		100012445		100027780		100013348		100013489	
L00891A0029.....	209	L00893C0003.....	209	L02002A0183B.....	101	L08020T0014.....	112	L08021T0123.....	112
100012188		100012450		100027782		100013349		100013490	
L00891A0079.....	209	L00893C0022.....	211	L02002A0184B.....	101	L08020T0015.....	112	L08021T0124.....	112
100012189		100012451		100027783		100013350		100013491	
L00891A0080.....	209	L00893C0028.....	209	L02002A0185B.....	101	L08020T1016.....	113	L08021T0125.....	112
100012191		100012454		100027785		100013396		100013492	
L00891A0082.....	211	L00893C0040.....	211	L02002A0198B.....	103	L08021D0101.....	114	L08021T0221.....	112
100012217		100012455		100027786		100013397		100013493	
L00891A0127.....	211	L00893C0041.....	211	L02002A0199B.....	103	L08021D0102.....	114	L08021T0222.....	112
100012232		100012554		100027787		100013398		100013494	
L00891C0018.....	211	L00895A0004.....	209	L02002A0200B.....	103	L08021D0103.....	114	L08021T0223.....	112
100012233		100012559		100033545		100013399		100013495	
L00891C0019.....	211	L00895A0024.....	209	L02002A0207T.....	105	L08021D0104.....	113	L08021T0224.....	112

Part No.	Page
----------	------

100013496	
L08021T0225	112
100013497	
L08021T0321	112
100013498	
L08021T0322	112
100013499	
L08021T0323	112
100013500	
L08021T0324	112
100013501	
L08021T0325	112
100013505	
L08021T1126	113
100013506	
L08021T1226	113
100013509	
L08021T1326	113
100013541	
L08022T0021	112
100013542	
L08022T0022	112
100013543	
L08022T0023	112
100013544	
L08022T0024	112
100013545	
L08022T0025	112
100017124	
L52002A0000	74
100017125	
L55000A0000	74
100017127	
L55001A0000	74
100017128	
L55002A0000	74
100017130	
L55003A0000	74
100017132	
L55060A0000	74
100017133	
L55061A0000	74
100017134	
L55062A0000	74
100017135	
L55870A0000	74
100017136	
L55871A0000	74
100017137	
L55872A0000	74

M

100000300	
M06000A0067	168
100000301	
M06000A0068	168
100000341	
M50100A0000	74
100000343	
M50210A0000	74
100000344	
M50210A0001	74
100000345	
M50318A0000	74
100000346	
M50810A0001	74
100000347	
M50830A0000	74

N

100025934	
N50000A0000	74

R

100026366	
R00040A0047	94

Telegärtner
Karl Gärtner GmbH

Lerchenstr. 35
D-71144 Steinenbronn

Tel.: +49 (0) 71 57/1 25-0
Fax: +49 (0) 71 57/1 25-5120

Email: info@telegaertner.com
Web: www.telegaertner.com